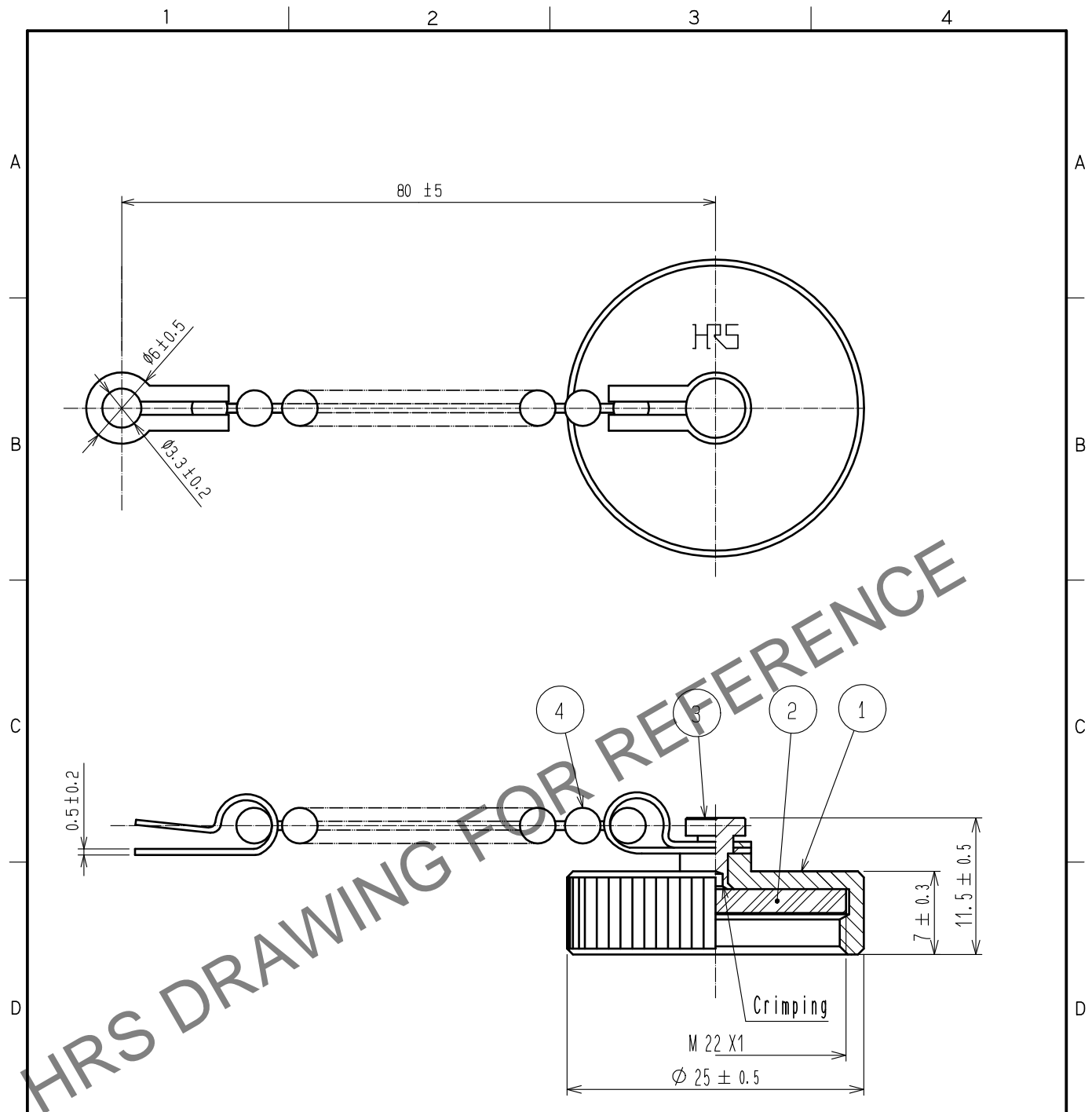


Mar.1.2026 Copyright 2026 HIROSE ELECTRIC CO., LTD. All Rights Reserved.
In case of consideration for using Automotive equipment / device which demand high reliability, kindly contact our sales window correspondents.



Note 1 Recommended tightening torque when installing the product in the receptacle: 1.2~2 N·m
 2 This Product is a cap for JR※16WR※-※(※)
 It is Applicable regardless of given alphabets and/or number shown at ※

2	Silicon rubber	(Black)	4	Stainless	
1	Brass	Black chrome plating	3	Brass	Chrome plating
部番	材 質	处 理 , 備 考	部番	材 質	处 理 , 備 考
UNITS mm		SCALE 2 : 1		訂 正 記 事	設 計
HIROSE ELECTRIC CO., LTD.	承 認 :	TP. KOMATSU	20250805	図 番 :	EDC-115781-00-00
	検 図 :	HN. TANAKA	20250805	製 品 名 :	JR16WRC3
	設 計 :	DS. UZAKI	20250805	製 品	CL0114-2171-5-00
	製 図 :	DS. UZAKI	20250805	コ ー ド	