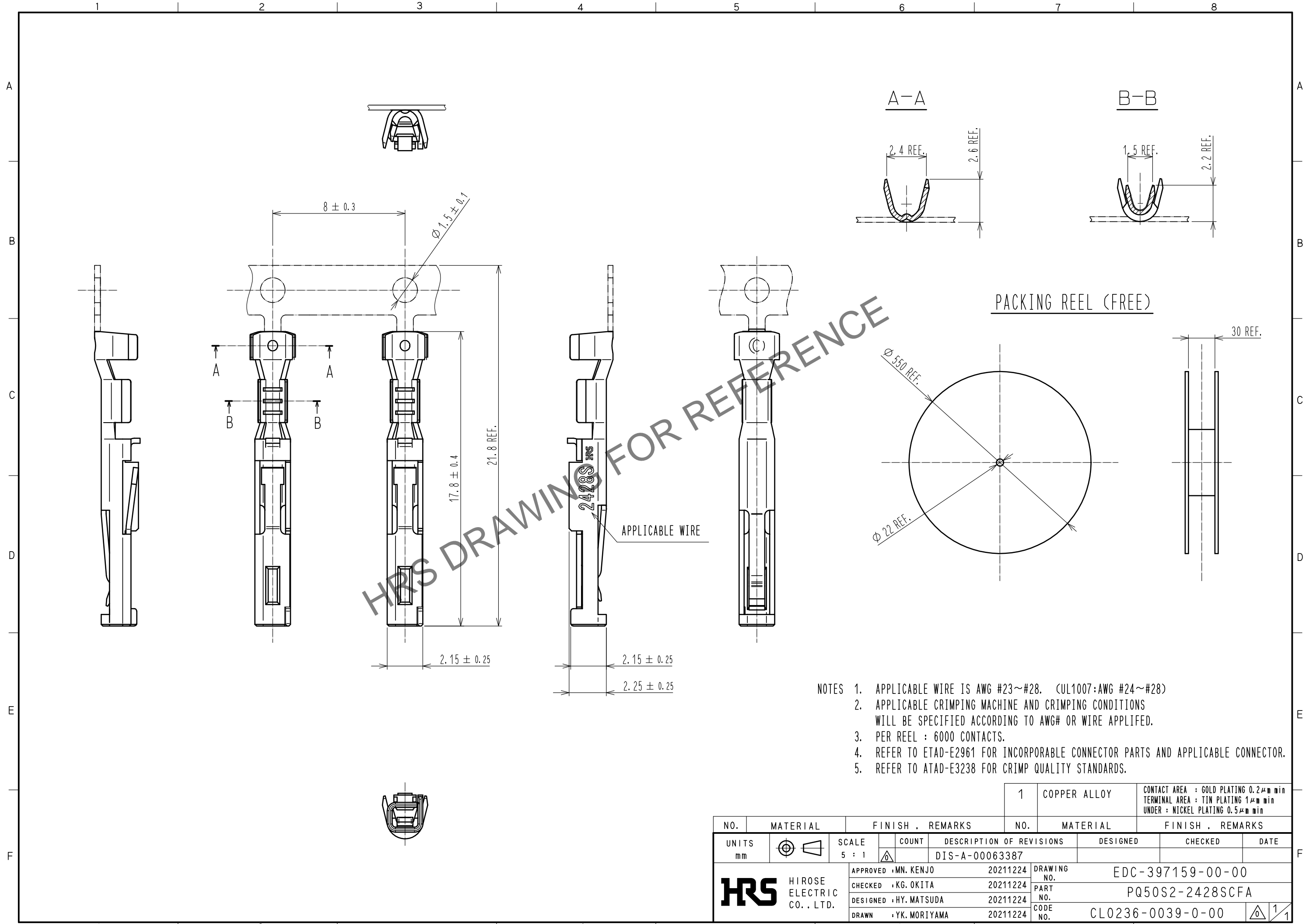


Aug.1.2024 Copyright 2024 HIROSE ELECTRIC CO., LTD. All Rights Reserved.
 In case of consideration for using Automotive equipment / device which demand high reliability, kindly contact our sales window correspondents.



- NOTES
1. APPLICABLE WIRE IS AWG #23~#28. (UL1007:AWG #24~#28)
 2. APPLICABLE CRIMPING MACHINE AND CRIMPING CONDITIONS WILL BE SPECIFIED ACCORDING TO AWG# OR WIRE APPLIED.
 3. PER REEL : 6000 CONTACTS.
 4. REFER TO ETAD-E2961 FOR INCORPORABLE CONNECTOR PARTS AND APPLICABLE CONNECTOR.
 5. REFER TO ATAD-E3238 FOR CRIMP QUALITY STANDARDS.

NO.		MATERIAL		FINISH . REMARKS		NO.		MATERIAL		FINISH . REMARKS					
UNITS mm				SCALE 5 : 1		COUNT △		DESCRIPTION OF REVISIONS DIS-A-00063387		DESIGNED		CHECKED		DATE	
		HIROSE ELECTRIC CO., LTD.		APPROVED : MN. KENJO		20211224		DRAWING NO.		EDC-397159-00-00		CHECKED : KG. OKITA		20211224	
				DESIGNED : HY. MATSUDA		20211224		PART NO.		PQ50S2-2428SCFA		DRAWN : YK. MORIYAMA		20211224	
				DRAWN : YK. MORIYAMA		20211224		CODE NO.		CL0236-0039-0-00				1/1	