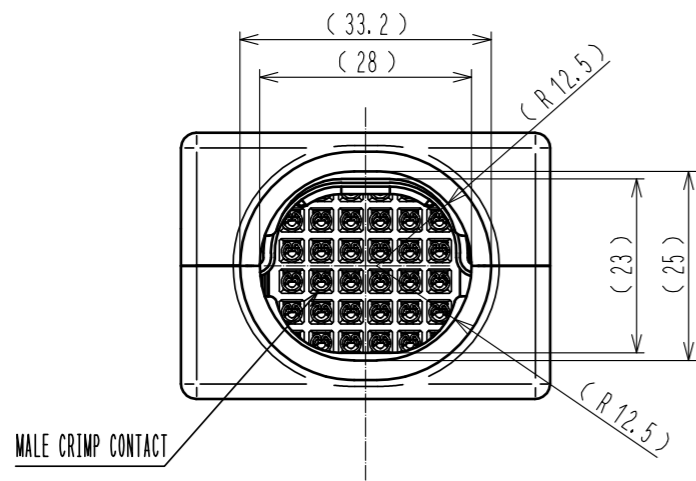
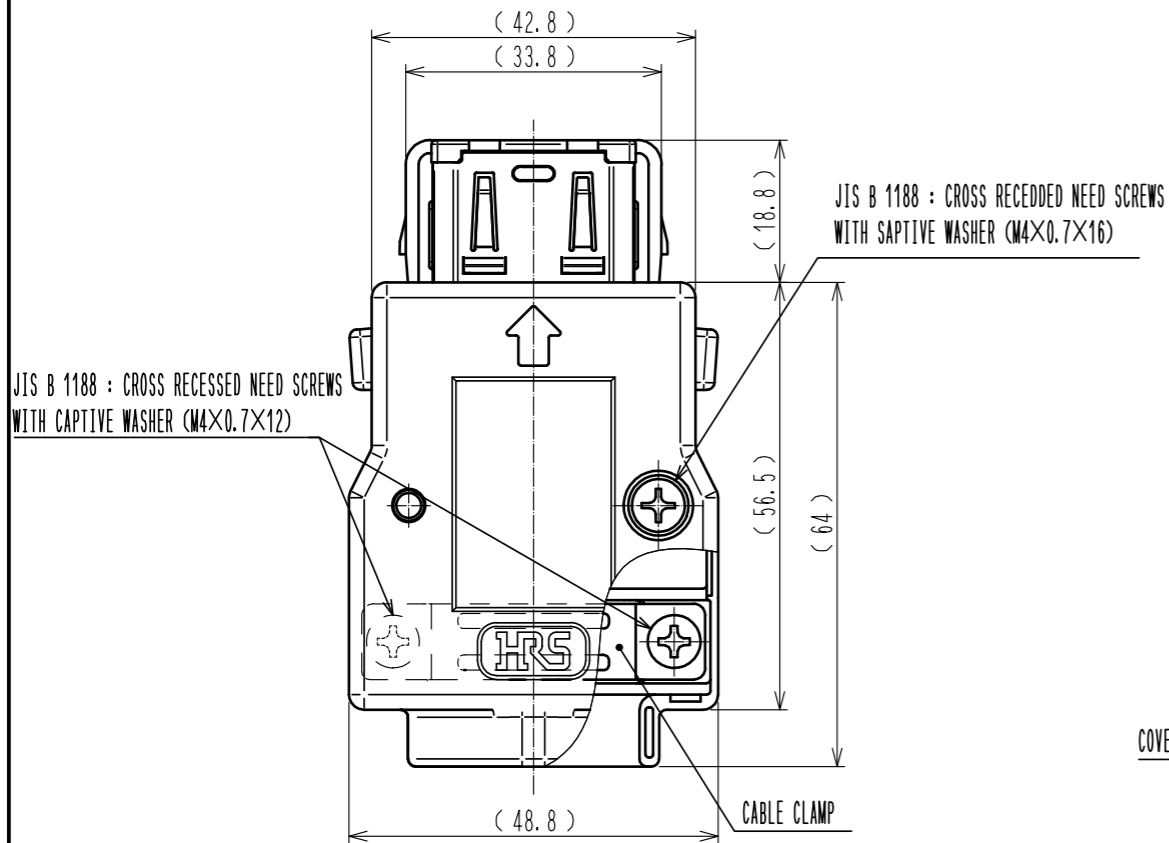
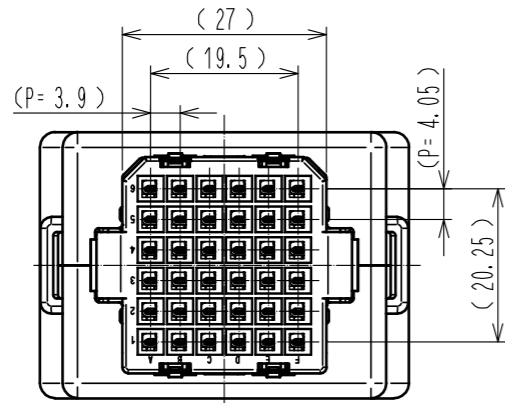
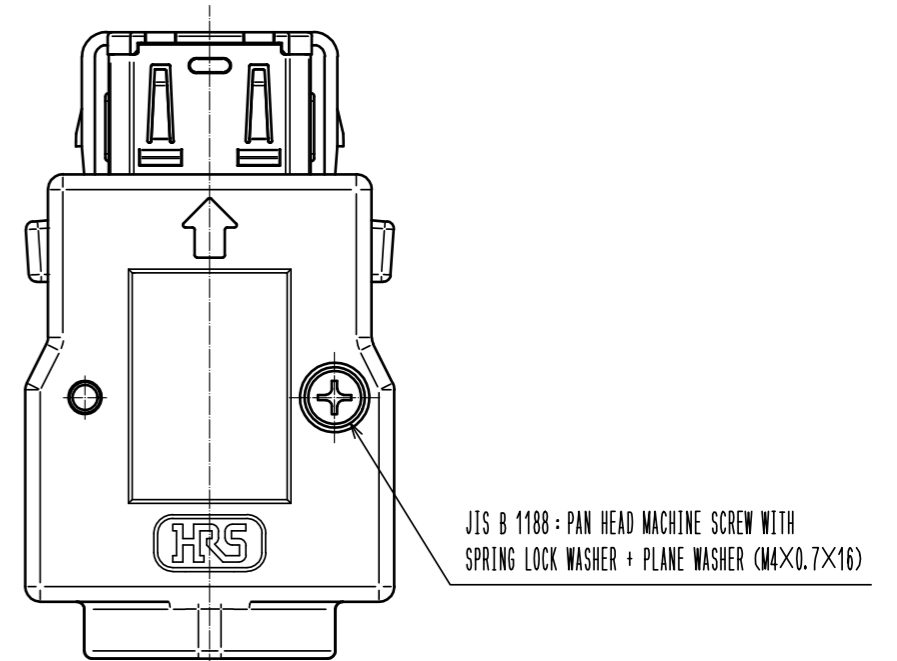
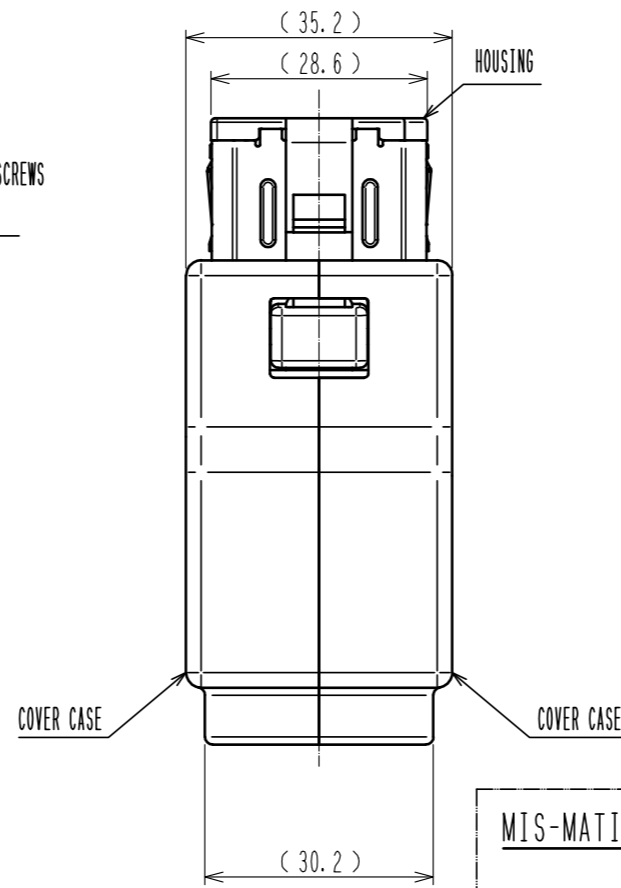


CABLE PLUG (MALE CONTACT, PQ50S SERIES 36positions. TYPE)

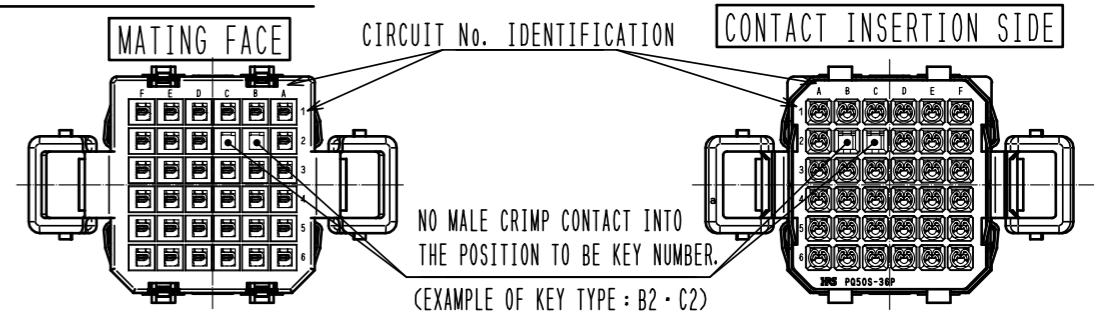


BILL OF MATERIAL FOR A CABLE PLUG (MALE CONTACT) REQUIRED QUANTITY

COMPONENT	REQUIRED QUANTITY	PART No.	CL No.	REMARKS
HOUSING	1	PQ50S-36P	CL236-2123-0	THE PRODUCT IS A HOUSING WITH TWO SHIELD SHELLS ASSEMBLED IN A P-INSULATED CASE.
COVER CASE	2	PQ50-20P-PC	CL236-2000-8	TWO PIECES OF SINGLE-UNIT ARE USED. JIS B 1188 : CROSS RECESSED NEED SCREWS WITH CAPTIVE WASHER (M4x0.7x16) ATTACHMENT
CABLE CLAMP	1	PQ-CM(22.0) or PQ-CM(15.0)	CL236-2013-0 or CL236-2005-1	APPLICABLE CABLE OUTER DIA : φ22mm or φ15mm JIS B 1188 : CROSS RECESSED NEED SCREWS WITH CAPTIVE WASHER (M4x0.7x12) ATTACHMENT
MALE CRIMP CONTACT (STANDARD CONTACT)	① REQUIRED NUMBER	PQ50S2-1618PCFA	CL236-0032-0	APPLICABLE WIRE : UL1007 AWG#16~18、UL1015 AWG#16~18
	② REQUIRED NUMBER	PQ50S2-1822PCFA	CL236-0035-0	APPLICABLE WIRE : UL1007 AWG#18~22、UL1015 AWG#18~22
	③ REQUIRED NUMBER	PQ50S2-2428PCFA	CL236-0038-0	APPLICABLE WIRE : UL1007 AWG#24~28、UL1015 AWG#24~28



MIS-MATING PREVENTION KEY (POLARIZATION) TYPE



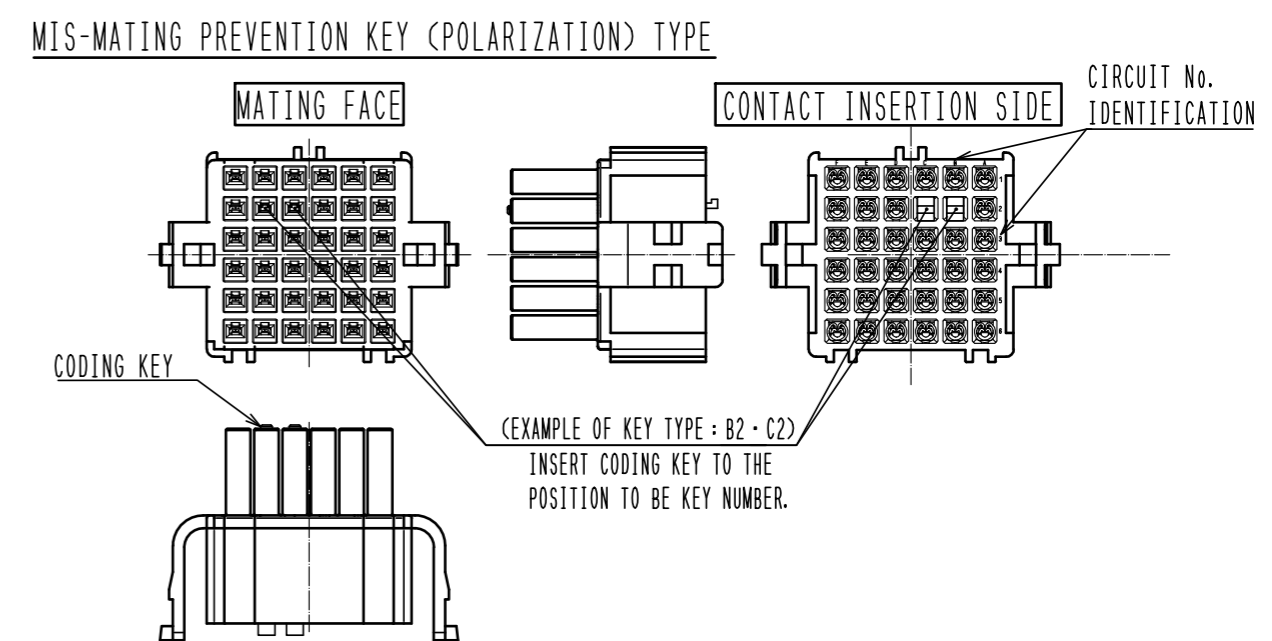
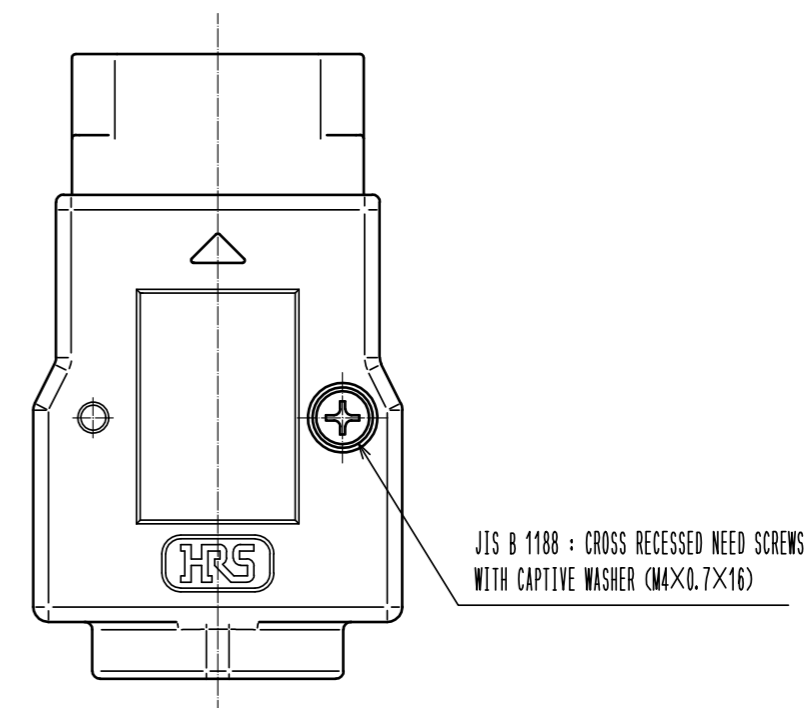
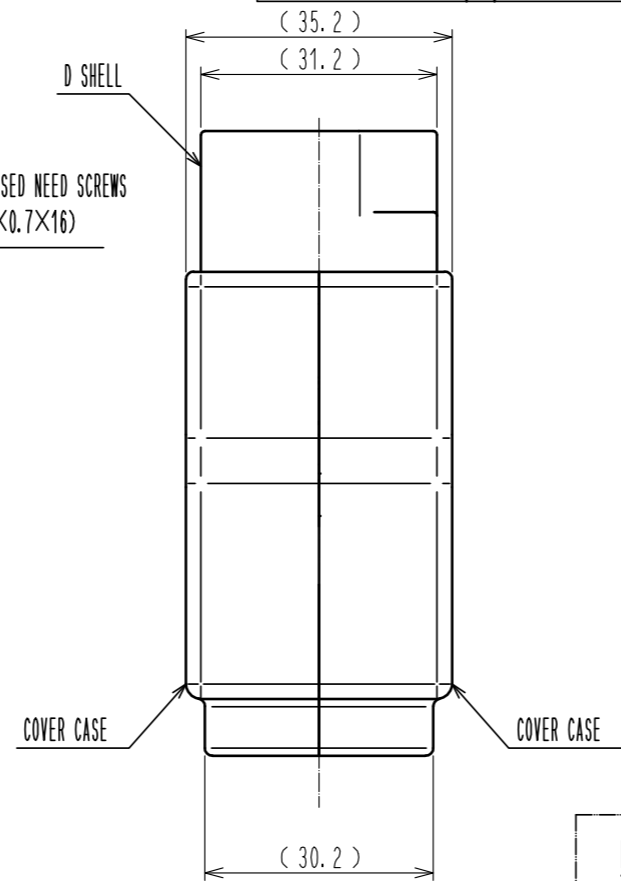
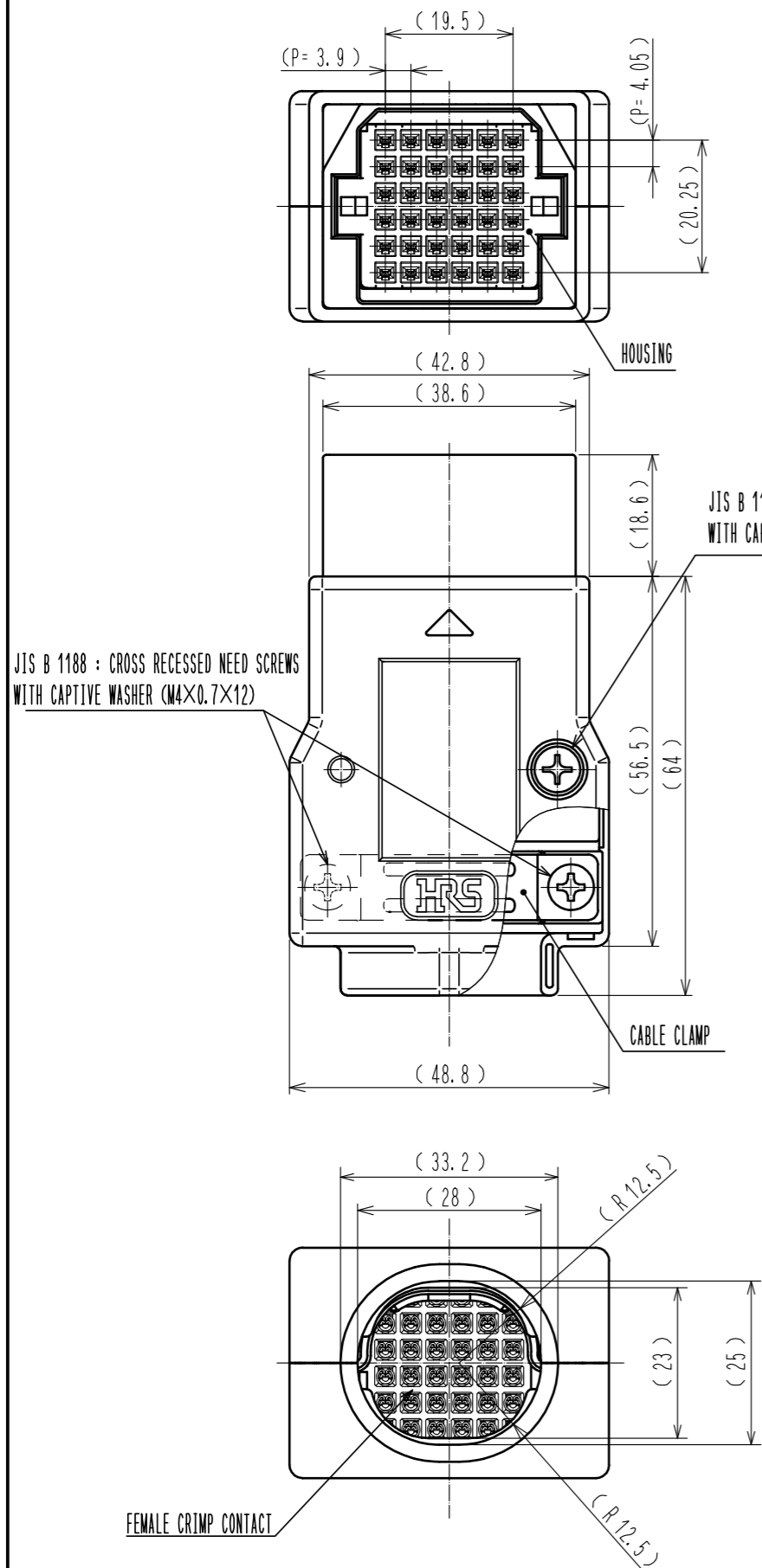
COUNT	DESCRIPTION OF REVISIONS	DESIGNED	CHECKED	DATE
3	DIS-E-00014649	KIM JAEHYEON	KG. OKITA	20230901
TITLE		<p>PQ50S SRIESE 36positions. TYPE ASSEMBLED & MATED CONDITION</p>		
TECHNICAL SPECIFICATION		<p>ETAD-E3185-00</p>		

HRS HIROSE ELECTRIC CO., LTD.		
APPROVED	MN. KENJO	20220106
CHECKED	KG. OKITA	20220106
CHARGED	HY. MATSUDA	20211229
WRITTEN	KH. KOGI	20211229

IN-LINE RECEPTACLE (FEMALE CONTACT, PQ50S SERIES 36positions. TYPE)

BILL OF MATERIAL FOR AN IN-LINE RECEPTACLE (FEMALE CONTACT) REQUIRED QUANTITY

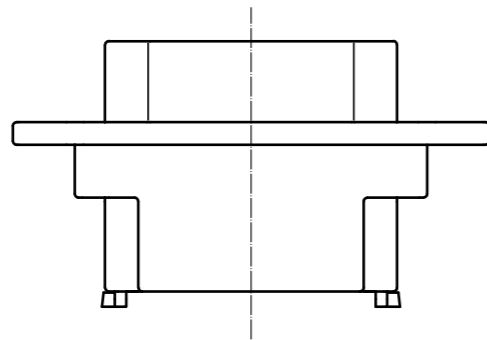
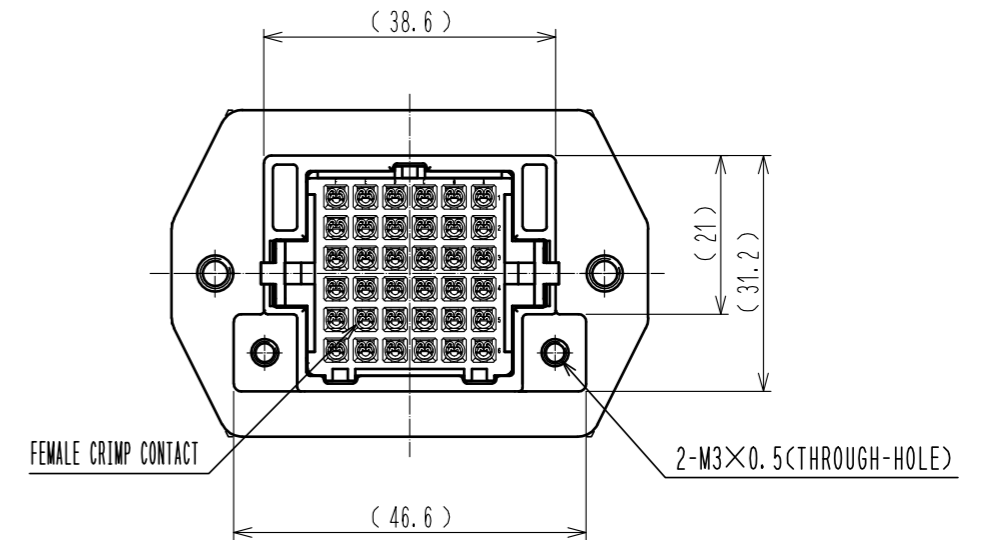
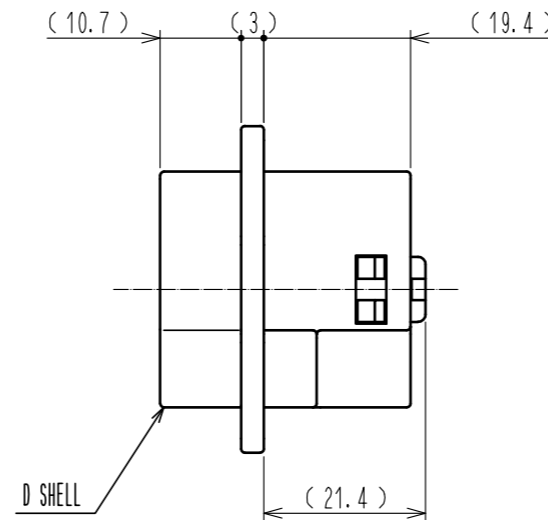
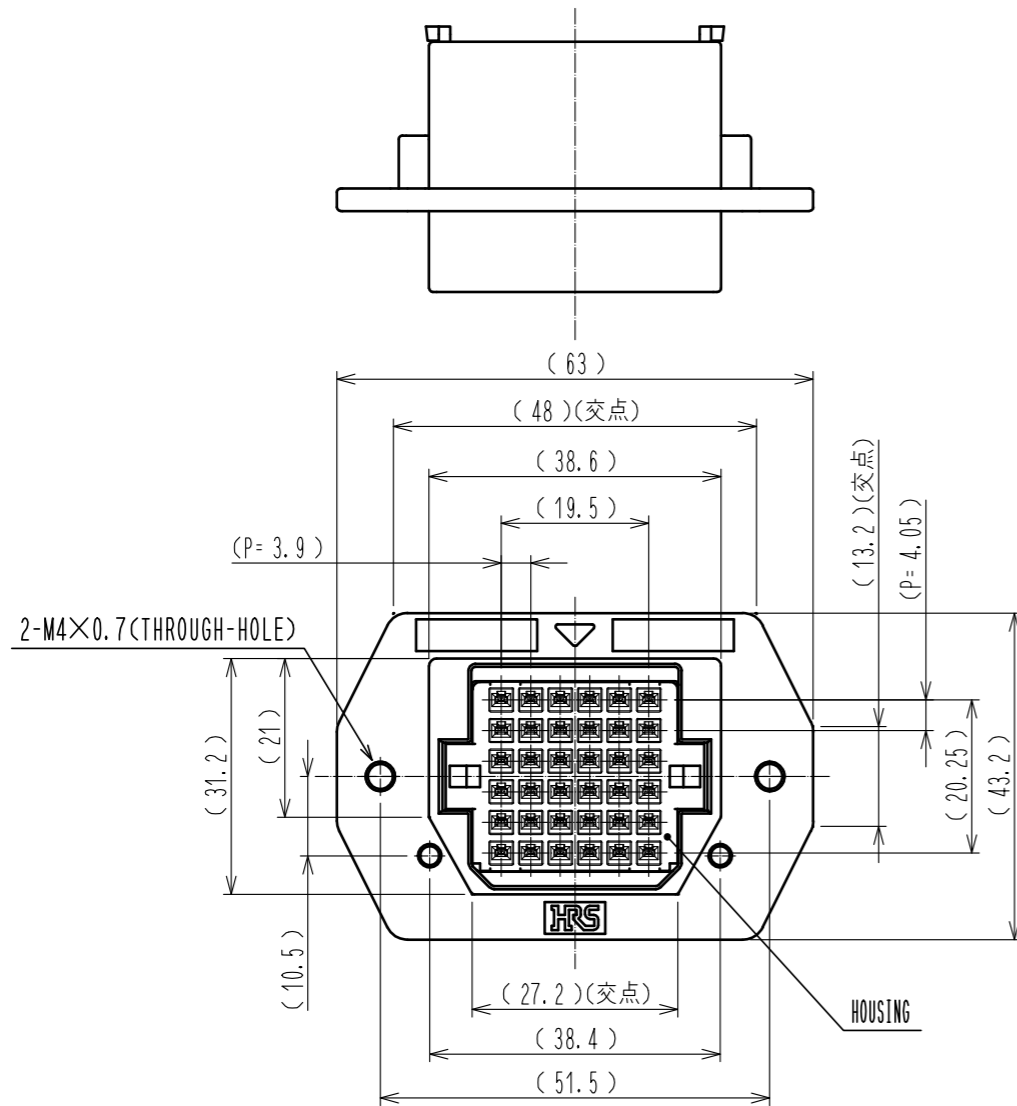
COMPONENT	REQUIRED QUANTITY	PART No.	CL No.	REMARKS
HOUSING	1	PQ50S-36S	CL236-2122-0	THE PRODUCT IS ONLY AVAILABLE IN S INSULATED CASE.
D SHELL	1	PQ50-20S-DS	CL236-2015-5	
COVER CASE	2	PQ50-20S-JC	CL236-2002-3	TWO PIECES OF SINGLE-UNIT ARE USED. JIS B 1188 : CROSS RECESSED NEED SCREWS WITH CAPTIVE WASHER (M4×0.7×16) ATTACHMENT
CABLE CLAMP	1	PQ-CM(22.0) or PQ-CM(15.0)	CL236-2013-0 or CL236-2005-1	APPLICABLE CABLE OUTER DIA : $\phi 22\text{mm}$ or $\phi 15\text{mm}$ JIS B 1188 : CROSS RECESSED NEED SCREWS WITH CAPTIVE WASHER (M4×0.7×12) ATTACHMENT
FEMALE CRIMP CONTACT	① REQUIRED NUMBER	PQ50S2-1618SCFA	CL236-0042-0	APPLICABLE WIRE : UL1007 AWG#16~18, UL1015 AWG#16~18
	② REQUIRED NUMBER	PQ50S2-1822SCFA	CL236-0036-0	APPLICABLE WIRE : UL1007 AWG#18~22, UL1015 AWG#18~22
	③ REQUIRED NUMBER	PQ50S2-2428SCFA	CL236-0039-0	APPLICABLE WIRE : UL1007 AWG#24~28, UL1015 AWG#24~28
CODING KEY	④ REQUIRED NUMBER	PQ50S-SC-KY	CL236-2033-7	DUMMY CONTACT FOR MIS-MATING PREVENTION.



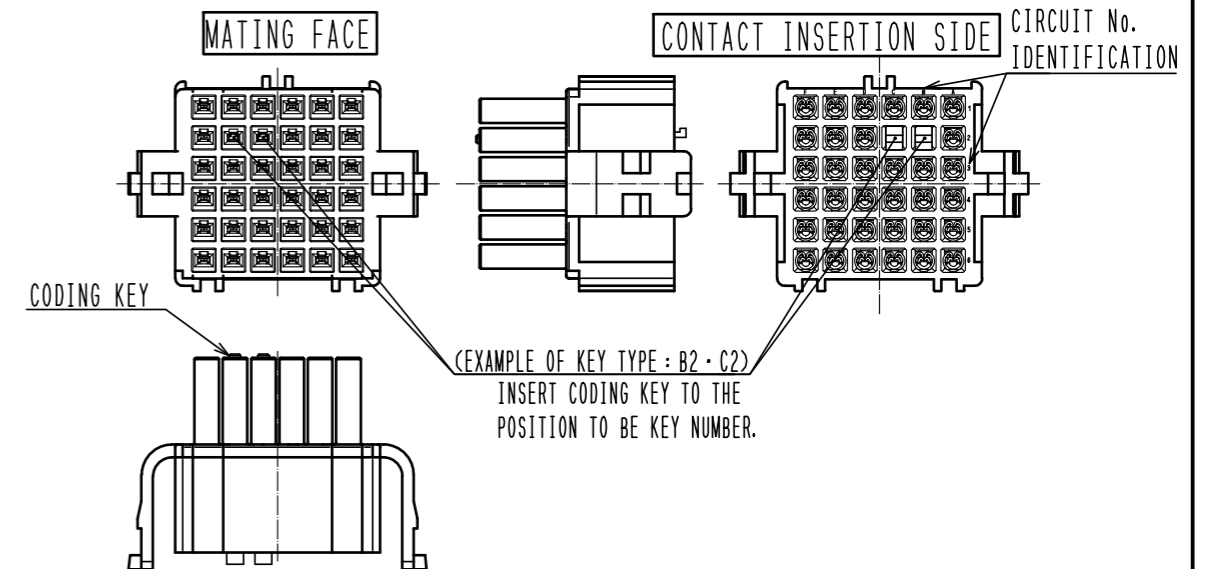
PANEL ATTACHMENT RECEPTACLE (FEMALE CONTACT, PQ50S SERIES 36positions.TYPE)

BILL OF MATERIAL FOR AN IN-LINE RECEPTACLE (FEMALE CONTACT) REQUIRED QUANTITY

COMPONENT	REQUIRED QUANTITY	PART No.	CL No.	REMARKS
HOUSING	1	PQ50S-36S	CL236-2122-0	THE PRODUCT IS ONLY AVAILABLE IN S INSULATED CASE.
D SHELL	1	PQ50-20S-FL	CL236-2001-0	
FEMALE CRIMP CONTACT	① REQUIRED NUMBER	PQ50S2-1618SCFA	CL236-0042-0	APPLICABLE WIRE : UL1007 AWG#16~18, UL1015 AWG#16~18
	② REQUIRED NUMBER	PQ50S2-1822SCFA	CL236-0036-0	APPLICABLE WIRE : UL1007 AWG#18~22, UL1015 AWG#18~22
	③ REQUIRED NUMBER	PQ50S2-2428SCFA	CL236-0039-0	APPLICABLE WIRE : UL1007 AWG#24~28, UL1015 AWG#24~28
CODING KEY	④ REQUIRED NUMBER	PQ50S-SC-KY	CL236-2033-7	DUMMY CONTACT FOR MIS-MATING PREVENTION.



MIS-MATING PREVENTION KEY (POLARIZATION) TYPE



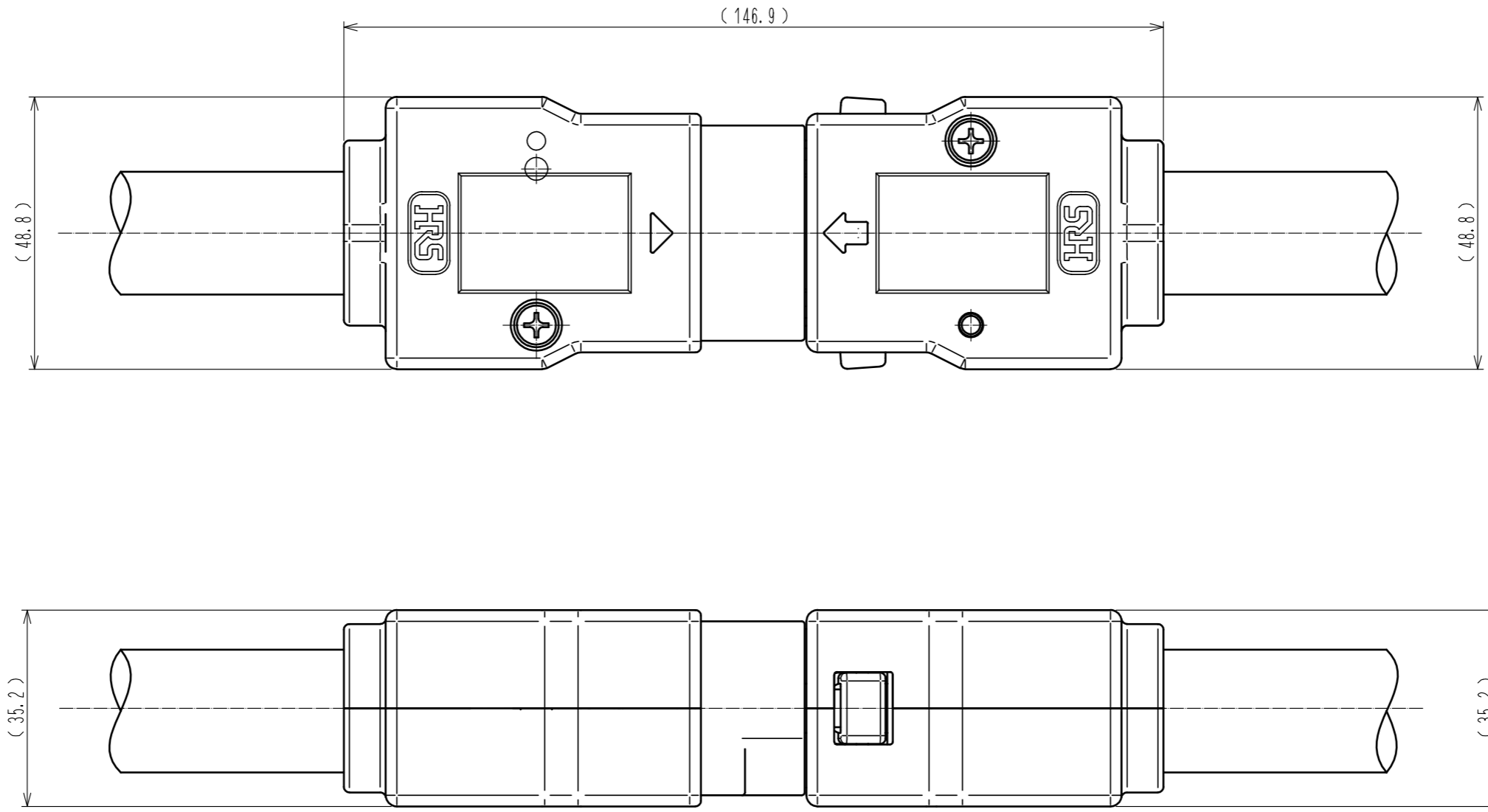
HRS

HIROSE ELECTRIC CO., LTD.

ETAD-E3185-00

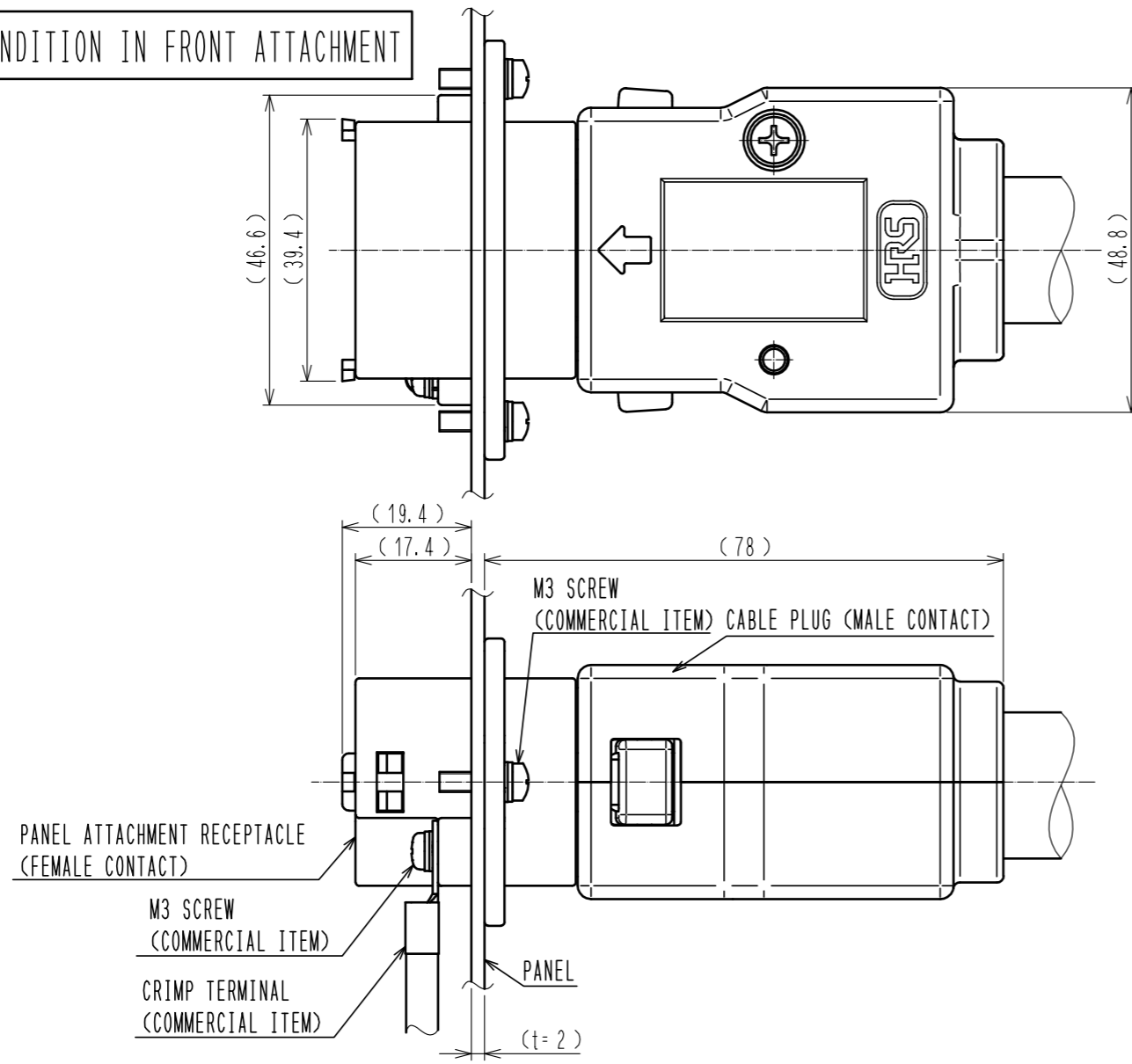
3/5

A CABLE PLUG (MALE CONTACT) AND AN IN-LINE RECEPTACLE (FEMALE CONTACT) MATED CONDITION

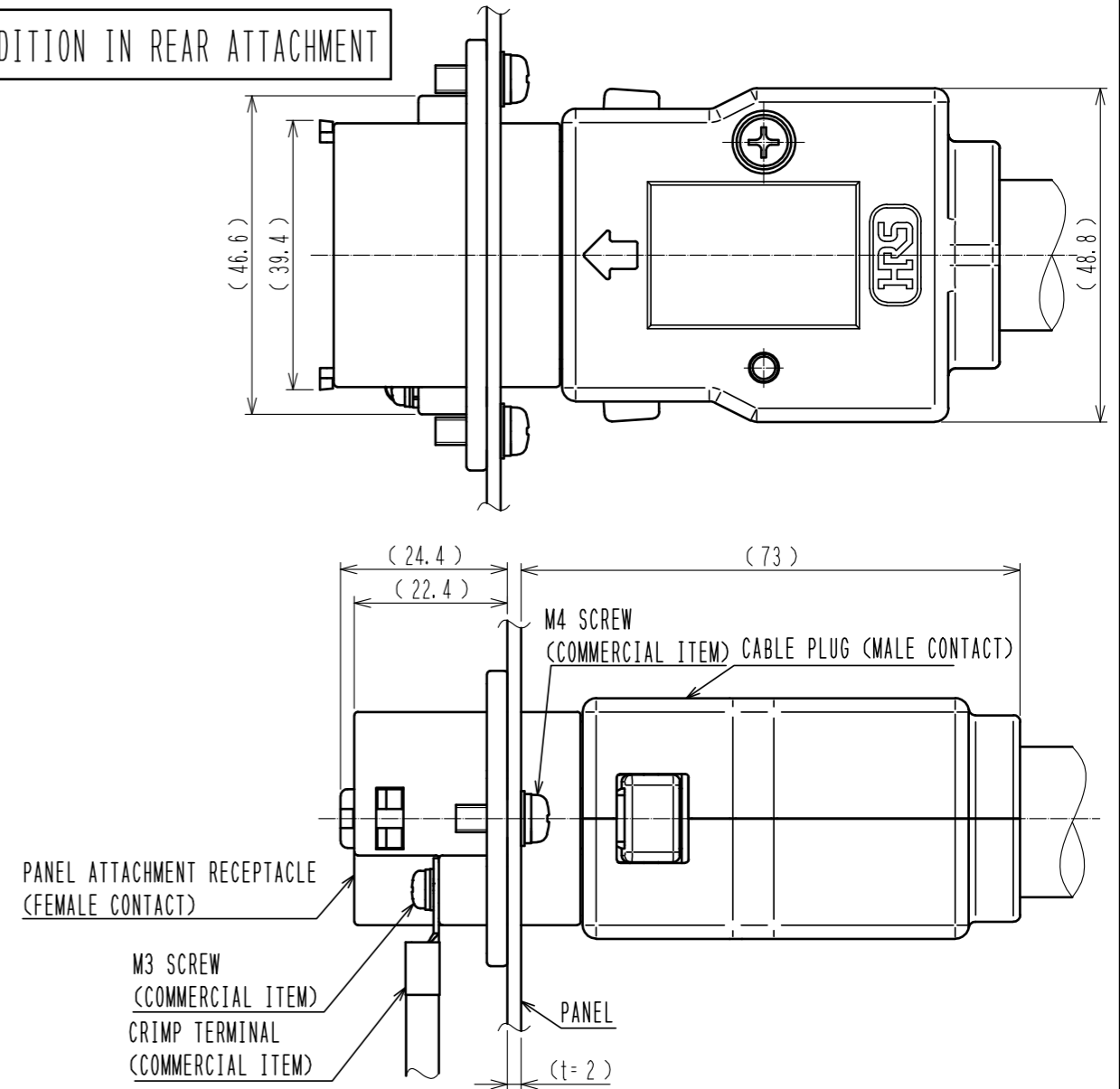


A CABLE PLUG (MALE CONTACT) AND A PANEL ATTACHMENT RECEPTACLE (FEMALE CONTACT) MATED CONDITION

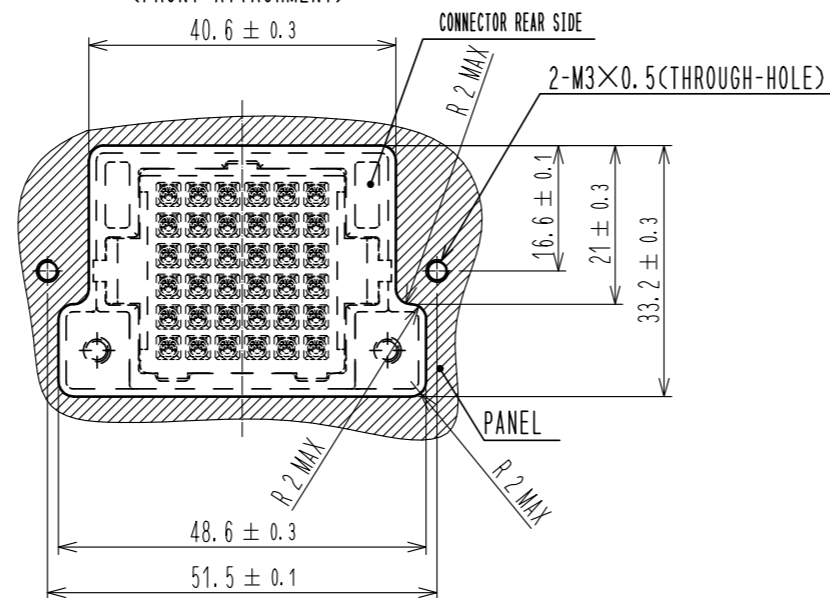
MATED CONDITION IN FRONT ATTACHMENT



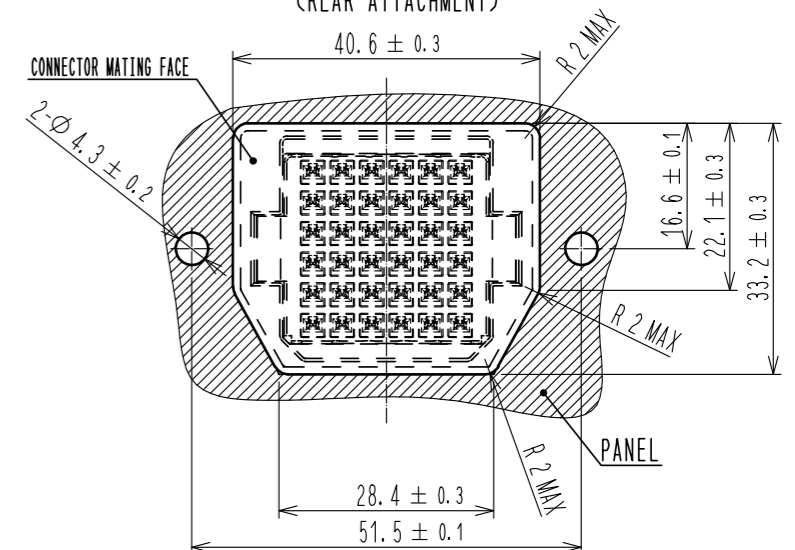
MATED CONDITION IN REAR ATTACHMENT



RECOMMENDED PANEL CUTOUT DIMENSIONS (FRONT ATTACHMENT)



RECOMMENDED PANEL CUTOUT DIMENSIONS (REAR ATTACHMENT)



HIROSE ELECTRIC CO., LTD.

ETAD-E3185-00