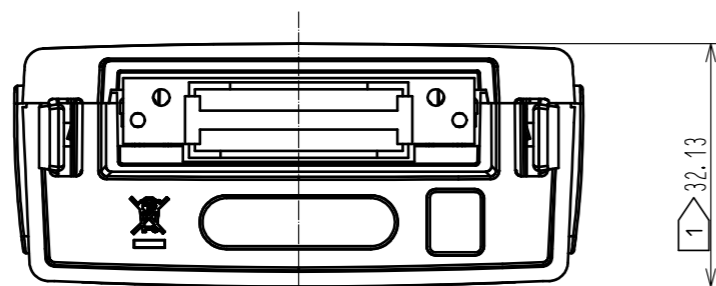
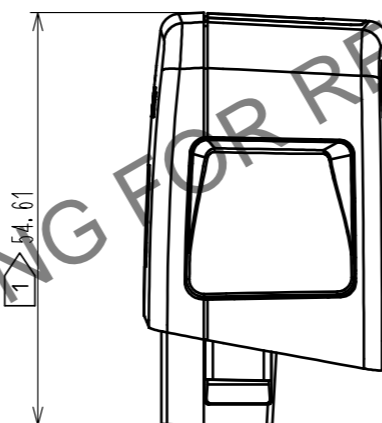
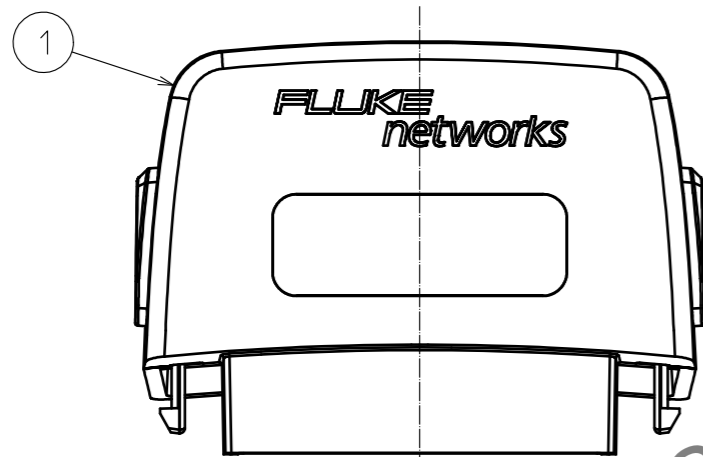
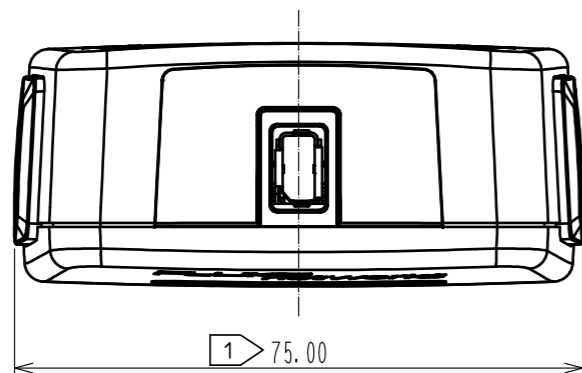


Oct.1.2024 Copyright 2024 HIROSE ELECTRIC CO., LTD. All Rights Reserved.  
 In case of consideration for using Automotive equipment / device which demand high reliability, kindly contact our sales window correspondents.



HRS DRAWING FOR REFERENCE

- ① Dimensions are guaranteed by Fluke Networks, and are reference values.
- 2. Fluke Networks will guarantee and maintain the product functions of this product.
- 3. Please contact Fluke Networks for inquiries regarding this product.

1	Adapter						
NO.	MATERIAL	FINISH . REMARKS	NO.	MATERIAL	FINISH . REMARKS	NO.	MATERIAL
UNITS mm			SCALE 1 : 1		COUNT	DESCRIPTION OF REVISIONS	
APPROVED : MN. KENJO			20190515	DRAWING NO.		EDC-388328-00-00	
CHECKED : KI. NAGANUMA			20190515	PART NO.		DSX-CHA-5-IX-S	
DESIGNED : JY. IGA			20190515	CODE NO.		CL251-1001-0-00	
DRAWN : JY. IGA			20190515			1/1	