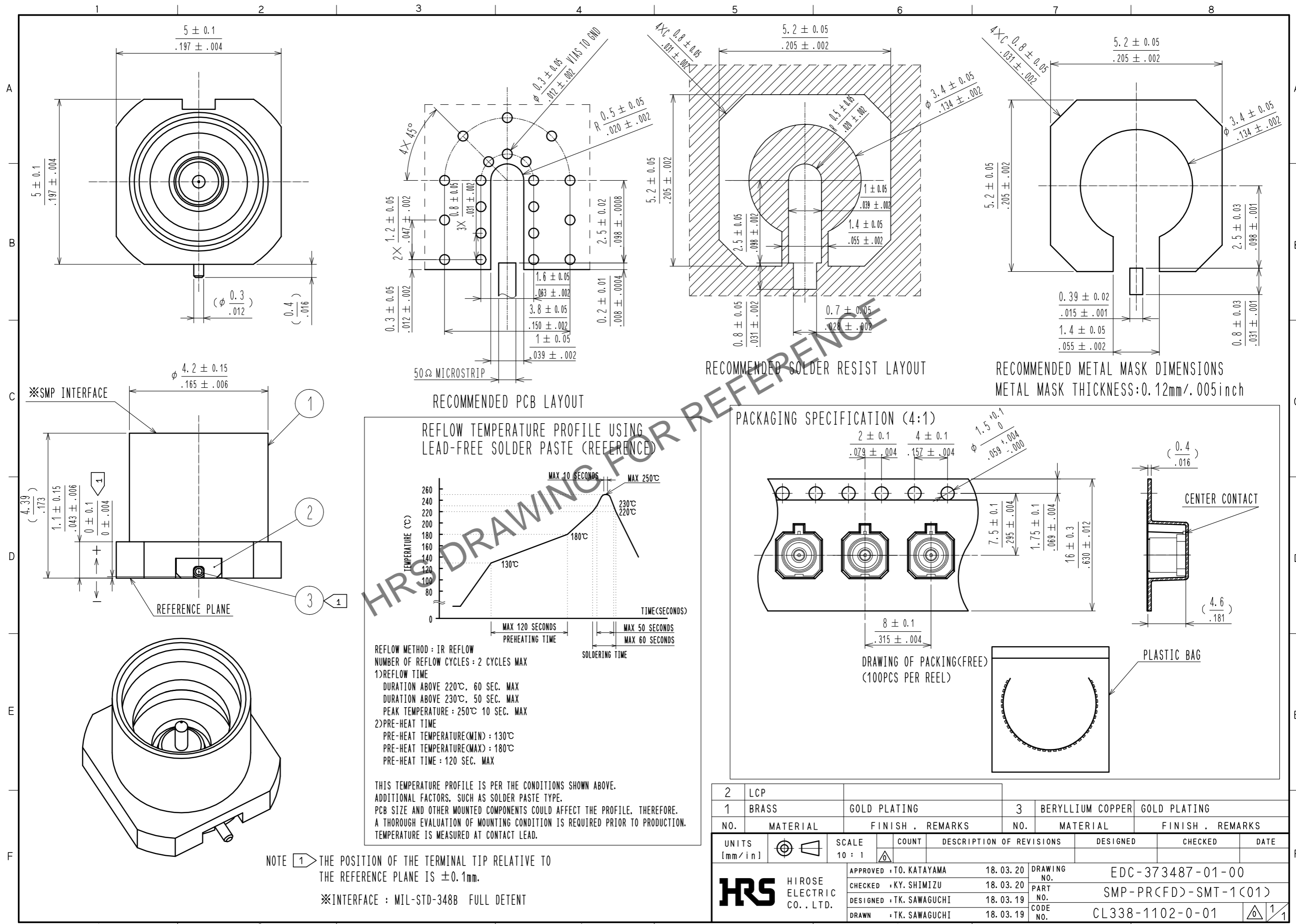


Sep.1.2024 Copyright 2024 HIROSE ELECTRIC CO., LTD. All Rights Reserved.
In case of consideration for using Automotive equipment / device which demand high reliability, kindly contact our sales window correspondents.



2	LCP			3	BERYLLIUM COPPER	GOLD PLATING		
1	BRASS	GOLD PLATING						
NO.	MATERIAL	FINISH	REMARKS	NO.	MATERIAL	FINISH	REMARKS	
UNITS [mm/in]	⊙	SCALE 10:1	COUNT	DESCRIPTION OF REVISIONS		DESIGNED	CHECKED	DATE
HRS HIROSE ELECTRIC CO., LTD.		APPROVED: TO. KATAYAMA	18.03.20	DRAWING NO. EDC-373487-01-00		PART NO. SMP-PR(FD)-SMT-1(01)		
		CHECKED: KY. SHIMIZU	18.03.20	CODE NO. CL338-1102-0-01		①		
		DESIGNED: TK. SAWAGUCHI	18.03.19					
		DRAWN: TK. SAWAGUCHI	18.03.19					