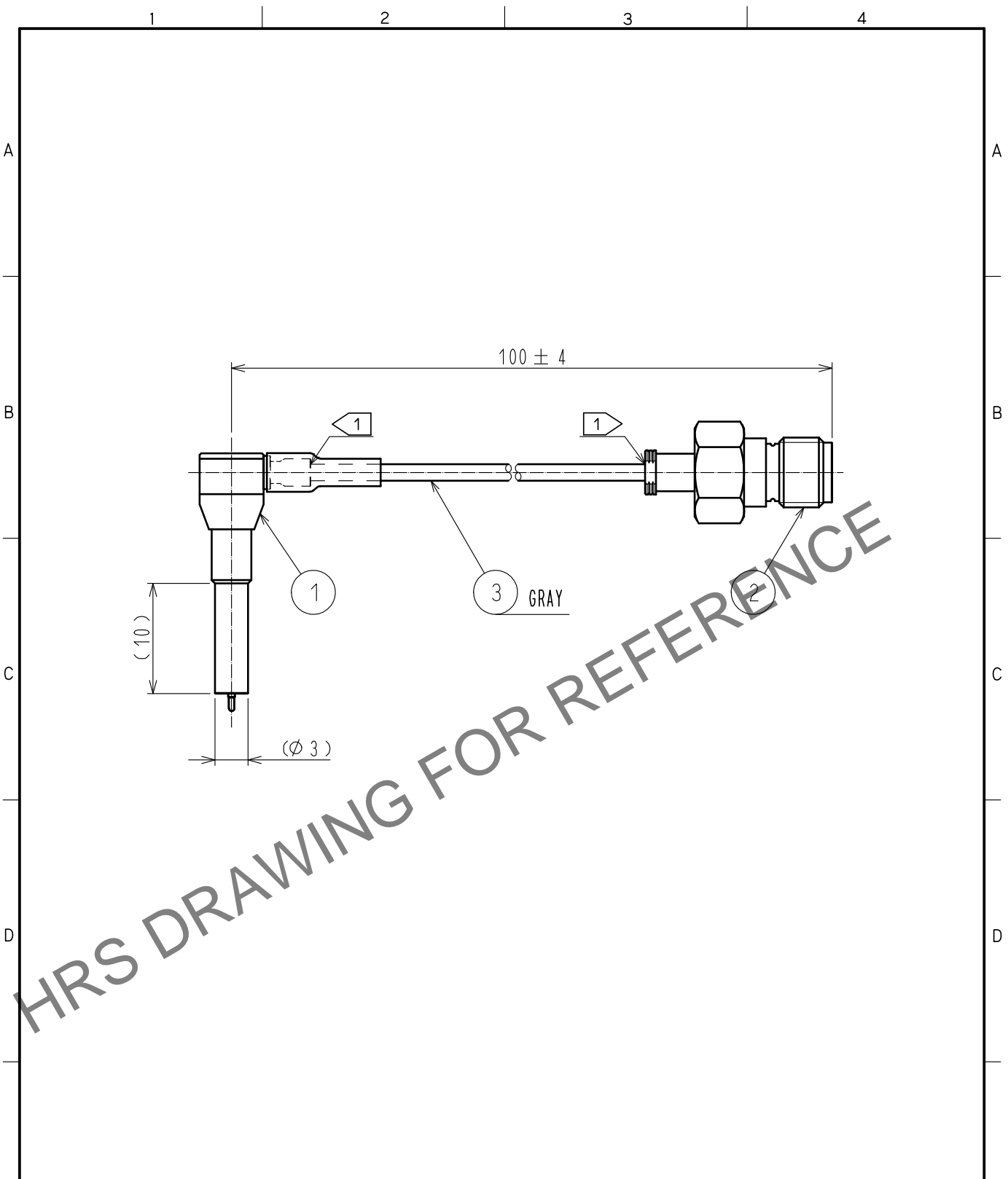


Apr.1.2024 Copyright 2024 HIROSE ELECTRIC CO., LTD. All Rights Reserved.
 In case of consideration for using Automotive equipment / device which demand high reliability, kindly contact our sales window correspondents.



HRS DRAWING FOR REFERENCE

NOTE 1 Do not apply any excessive stress to the cable assembly position.

2	HRM-200-088JBN(40)	CL323-0801-8-40					
1	MS-156-088LP-H2	CL358-0275-0-00	3	DFS111-UL1979	Junkosha Inc.		
NO.	PART NO.	CODE NO.	NO.	PART NO.	MANUFACTURER		
UNITS mm		SCALE FREE	COUNT 	DESCRIPTION OF REVISIONS	DESIGNED	CHECKED	DATE
HRS HIROSE ELECTRIC CO., LTD.	APPROVED	: TO. KATAYAMA	18.07.13	DRAWING NO.	EDC-384183-01-00		
	CHECKED	: TO. KATAYAMA	18.07.13	PART NO.	MS156LH2-HRMJ-088V100		
	DESIGNED	: YI. FUNADA	18.07.13	CODE NO.	CL362-0017-0-01		1/1
	DRAWN	: YI. FUNADA	18.07.13				