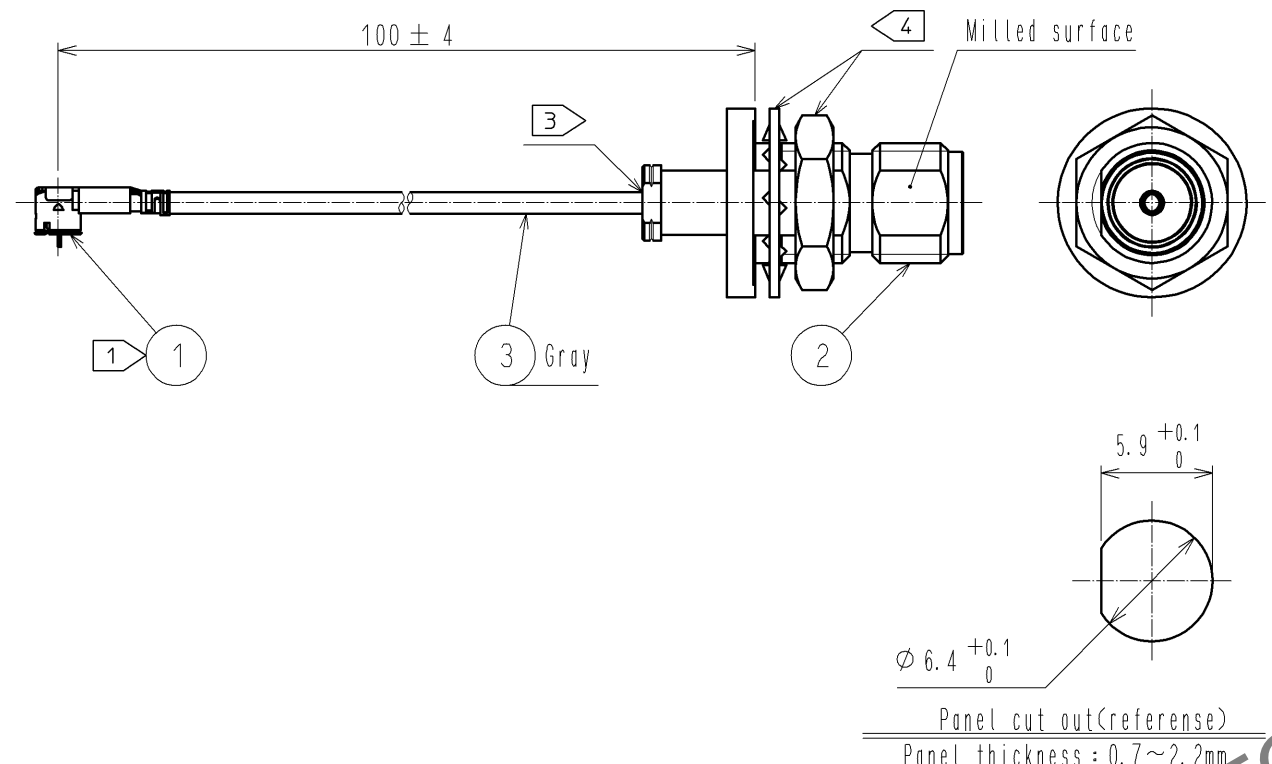
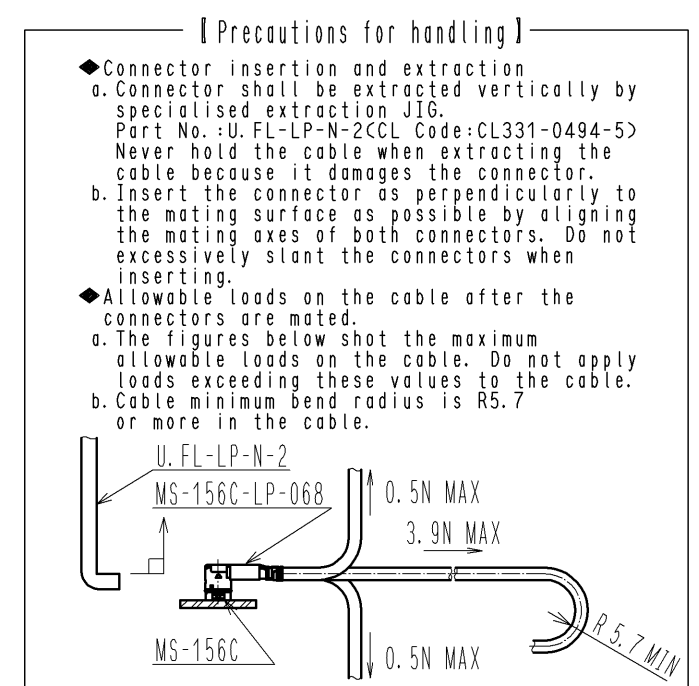
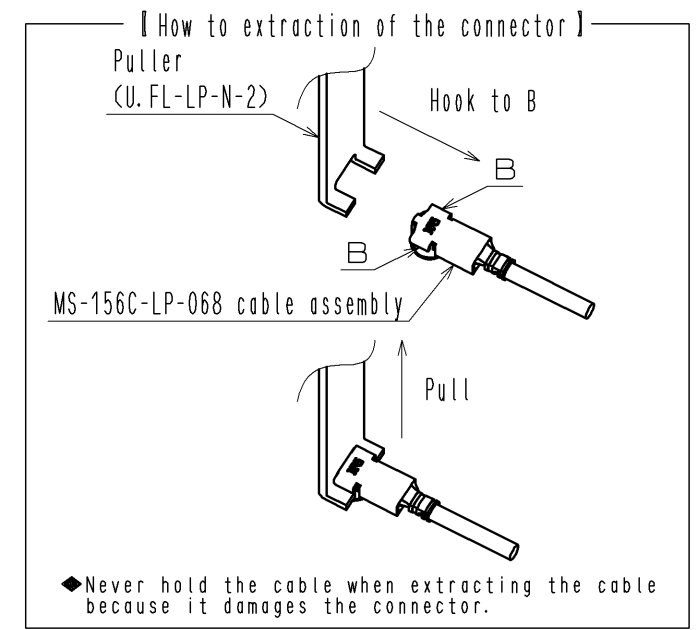
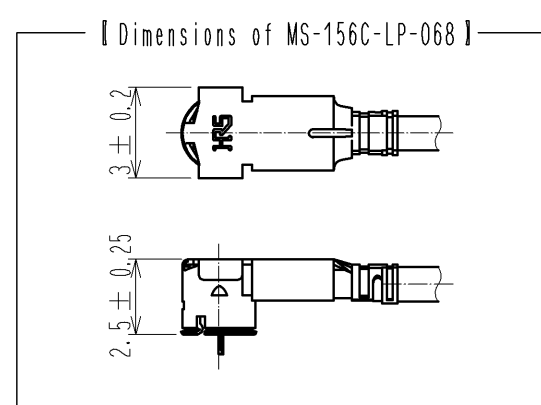
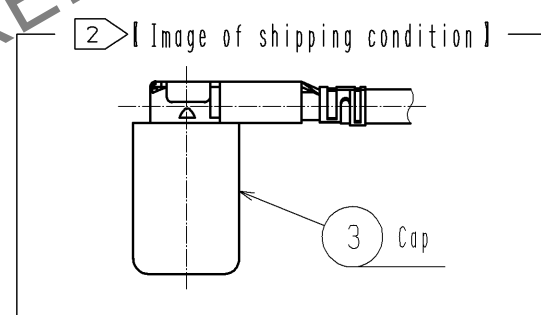
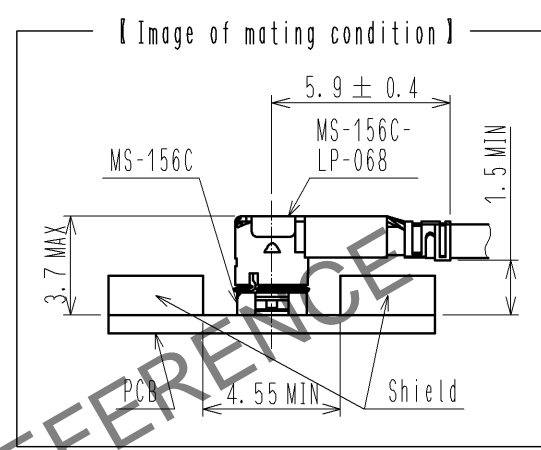


Apr.1.2024 Copyright 2024 HIROSE ELECTRIC CO., LTD. All Rights Reserved.
In case of consideration for using Automotive equipment / device which demand high reliability, kindly contact our sales window correspondents.



- Note 1 This product is to be used for mating with MS-156C and should not be used for MS-156HF. Do not use as a checking purpose.
- 2 Please do not remove the cap except for mating condition.
- 3 Do not apply any excessive stress to the cable assembly position.
- 4 Lock nut and tooth washer are attached separately in other package.
- 5 Connector rotation angle is within ±45 degree from the above image.



RoHS COMPLIANT

2	HRM-200-066BPJBN(40)	CL323-0798-5-40	4	Cap	Erastomer		
1	MS-156C-LP-068	CL358-0276-3-00	3	RF-MF50161(Gray)	NISSEI ELECTRIC CO., LTD		
NO.	MATERIAL	FINISH . REMARKS	NO.	MATERIAL	FINISH . REMARKS		
UNITS mm		SCALE FREE	COUNT 	DESCRIPTION OF REVISIONS	DESIGNED	CHECKED	DATE
		APPROVED : NK. NINOMIYA	14.08.08	DRAWING NO. EDC4-355770-01			
HIROSE ELECTRIC CO., LTD.		CHECKED : NK. NINOMIYA	14.08.08	PART NO. MS156CLP-HRMBPJ-068N1T100			
		DESIGNED : RO. FURUYAMA	14.08.07	CODE NO. CL362-0907-1-01			
		DRAWN : RO. FURUYAMA	14.08.07				