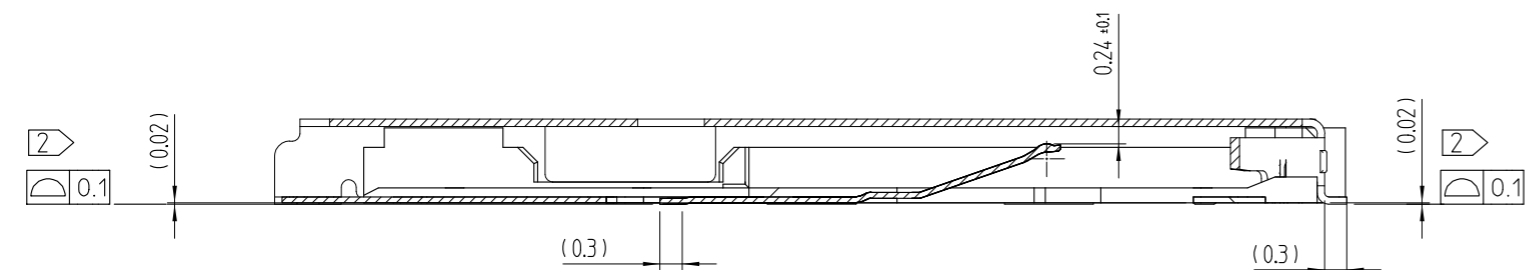
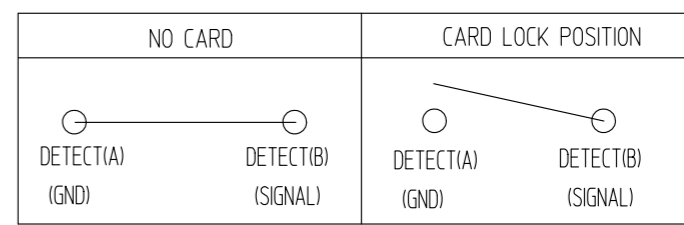


Feb.1.2026 Copyright 2026 HIROSE ELECTRIC CO., LTD. All Rights Reserved.
In case of consideration for using Automotive equipment / device which demand high reliability, kindly contact our sales window correspondents.

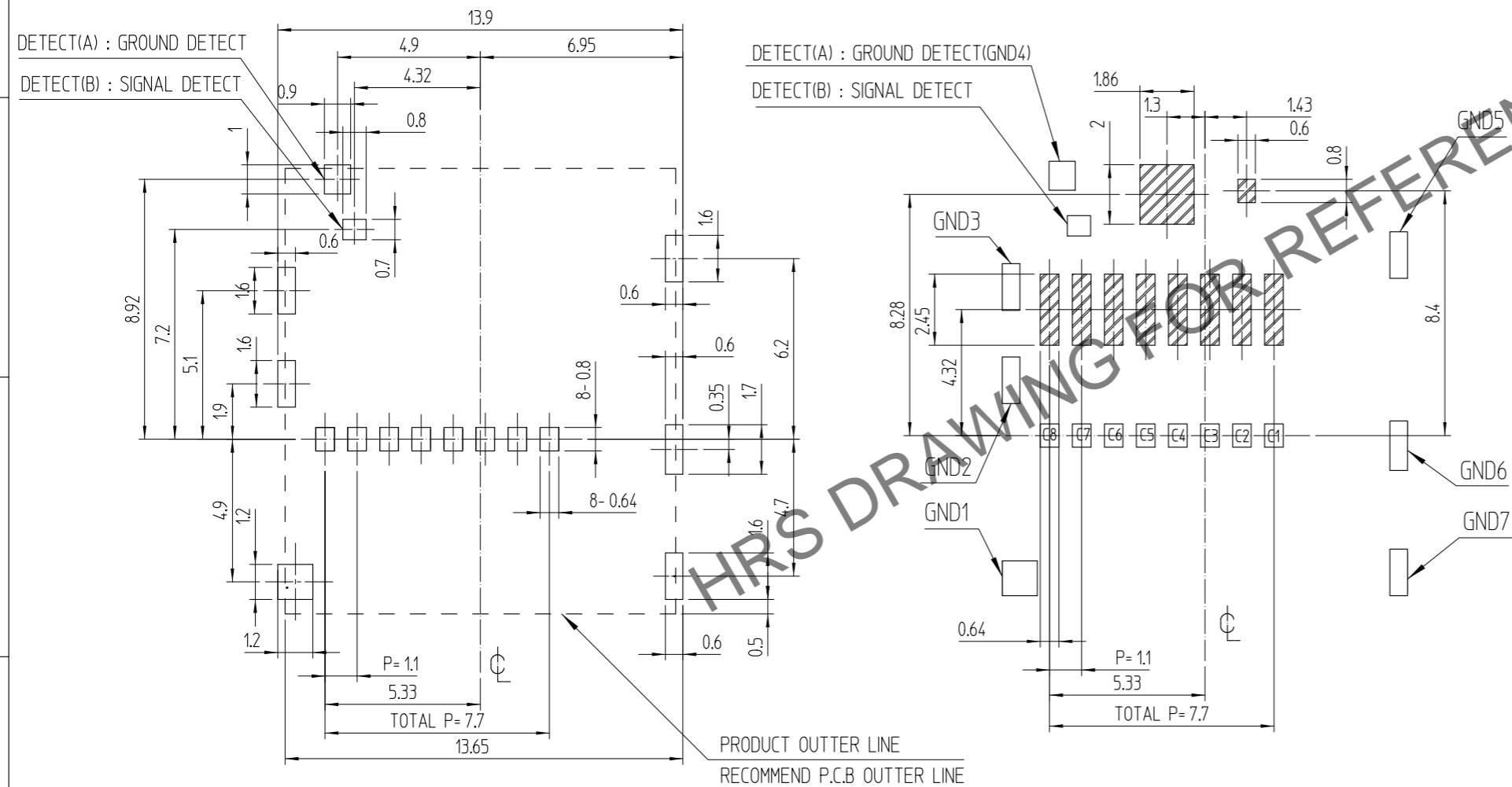
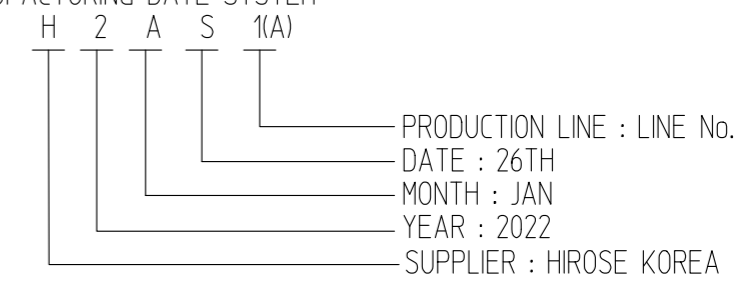


SECTION A-A (10:1)

1. CARD DETECTION SWITCH



- ② CO-PLANRITY SHALL BE 0.1mm MAX
- ③ MANUFACTURING DATE SYSTEM

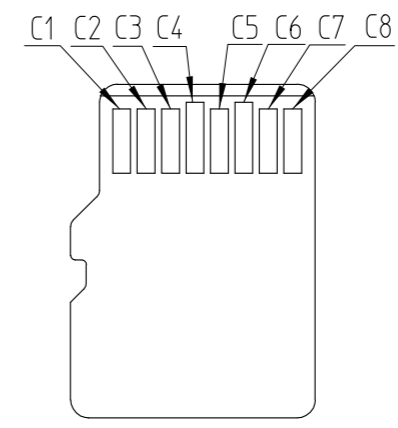


③ Table . 1

YEAR	MONTH	DATE							
YEAR	SYMBOL	MONTH	SYMBOL	DATE	SYMBOL	DATE	SYMBOL	DATE	SYMBOL
2021	1	Jan.	A	1	1	11	B	21	M
2022	2	Feb.	B	2	2	12	C	22	N
2023	3	Mar.	C	3	3	13	D	23	P
2024	4	Apr.	D	4	4	14	E	24	Q
2025	5	May.	E	5	5	15	F	25	R
2026	6	Jun.	F	6	6	16	G	26	S
2027	7	Jul.	G	7	7	17	H	27	T
2028	8	Aug.	H	8	8	18	J	28	U
2029	9	Sep.	I	9	9	19	K	29	V
2030	0	Oct.	J	10	A	20	L	30	W
		Nov.	K					31	X
		Dec.	L						

Marking: Manual assembly : Ink mark, Auto assembly: laser mark

- ④ NO PATTERNS PERMITTED IN THIS OBLIQUE - HATCHED AREA
- ⑤ PACKING TYPE : TAPE AND REEL 1,500PCS PER 1REEL



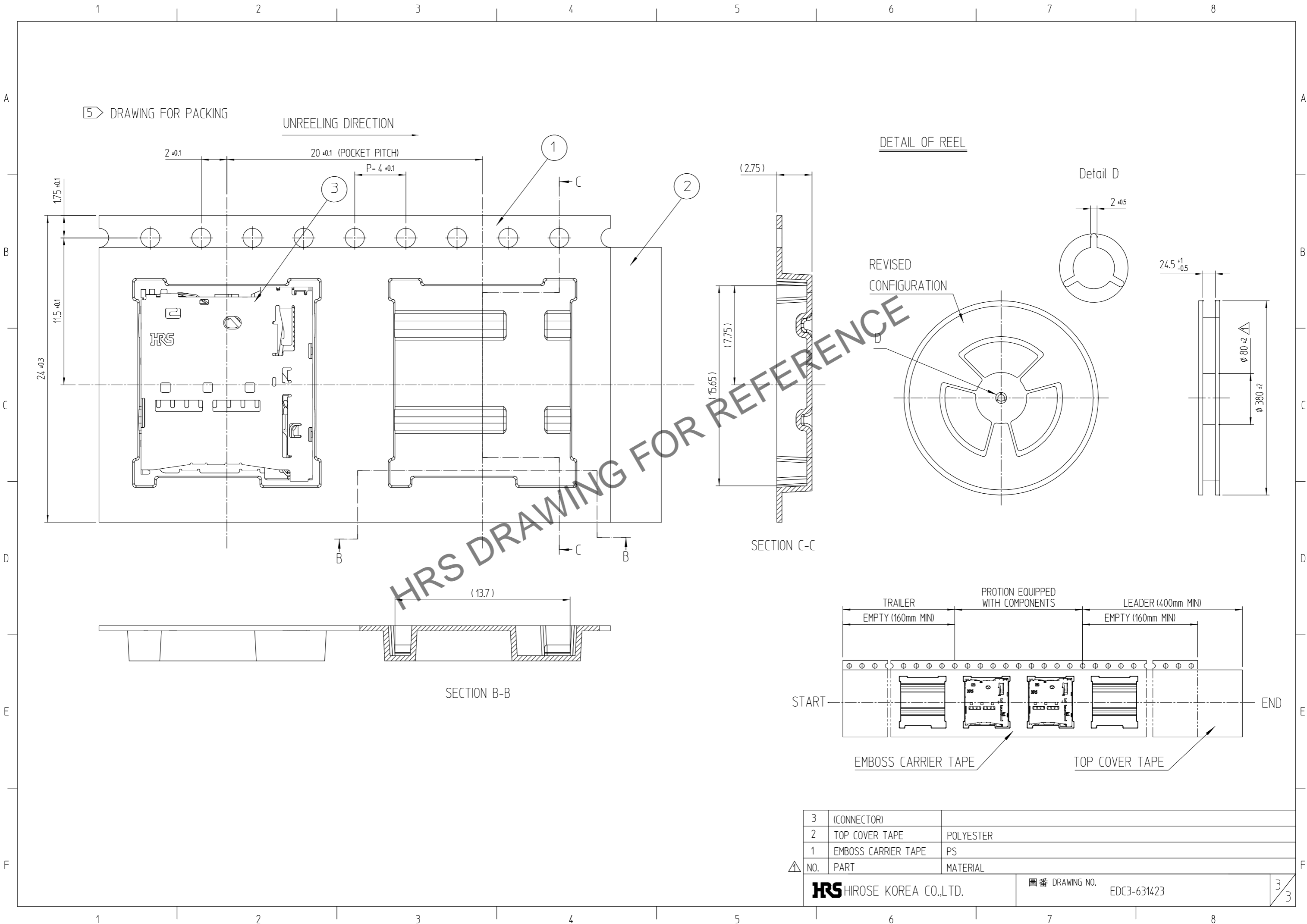
PIN No.	NAME
C1	DAT2
C2	CD/DAT3
C3	CMD
C4	VDD
C5	CLK
C6	VSS
C7	DAT0
C8	DAT1

MICRO SD Card PAD LAY OUT

MICRO SD CARD ASSIGNMENT

④ NO PATTERNS PERMITTED IN THE OBLIQUE (TOLERANCE : ±0.1)

Feb.1.2026 Copyright 2026 HIROSE ELECTRIC CO., LTD. All Rights Reserved.
 In case of consideration for using Automotive equipment / device which demand high reliability, kindly contact our sales window correspondents.



HRS DRAWING FOR REFERENCE

3	(CONNECTOR)	
2	TOP COVER TAPE	POLYESTER
1	EMBOSS CARRIER TAPE	PS
△ NO.	PART	MATERIAL
HRS HIROSE KOREA CO.,LTD.		圖番 DRAWING NO. EDC3-631423

3/3