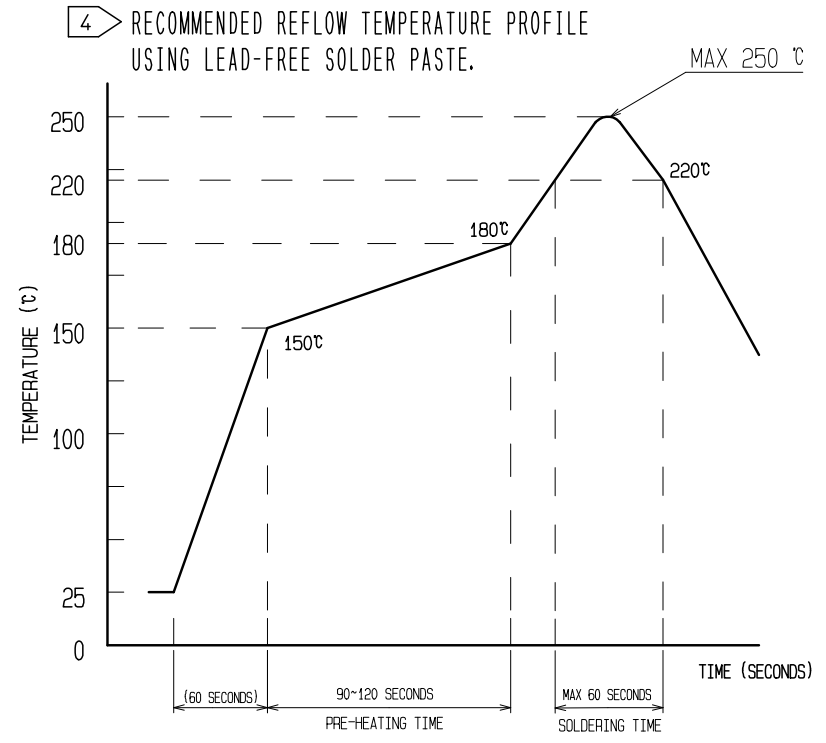
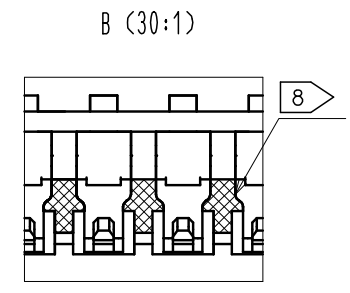
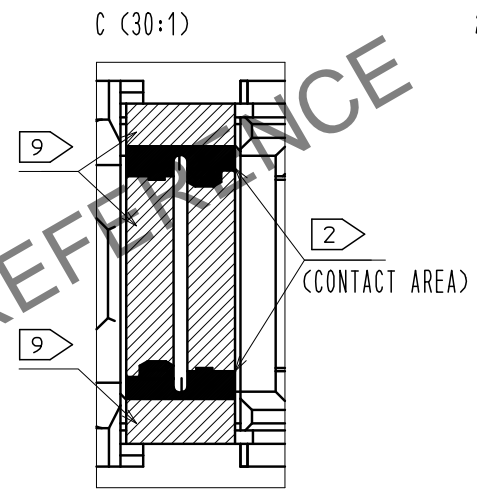
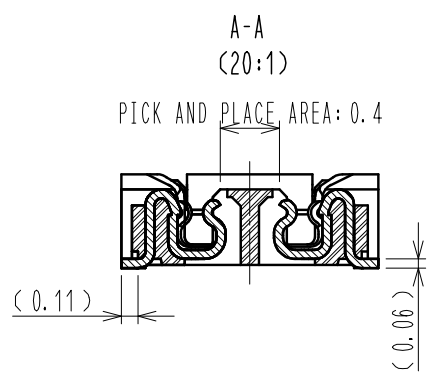
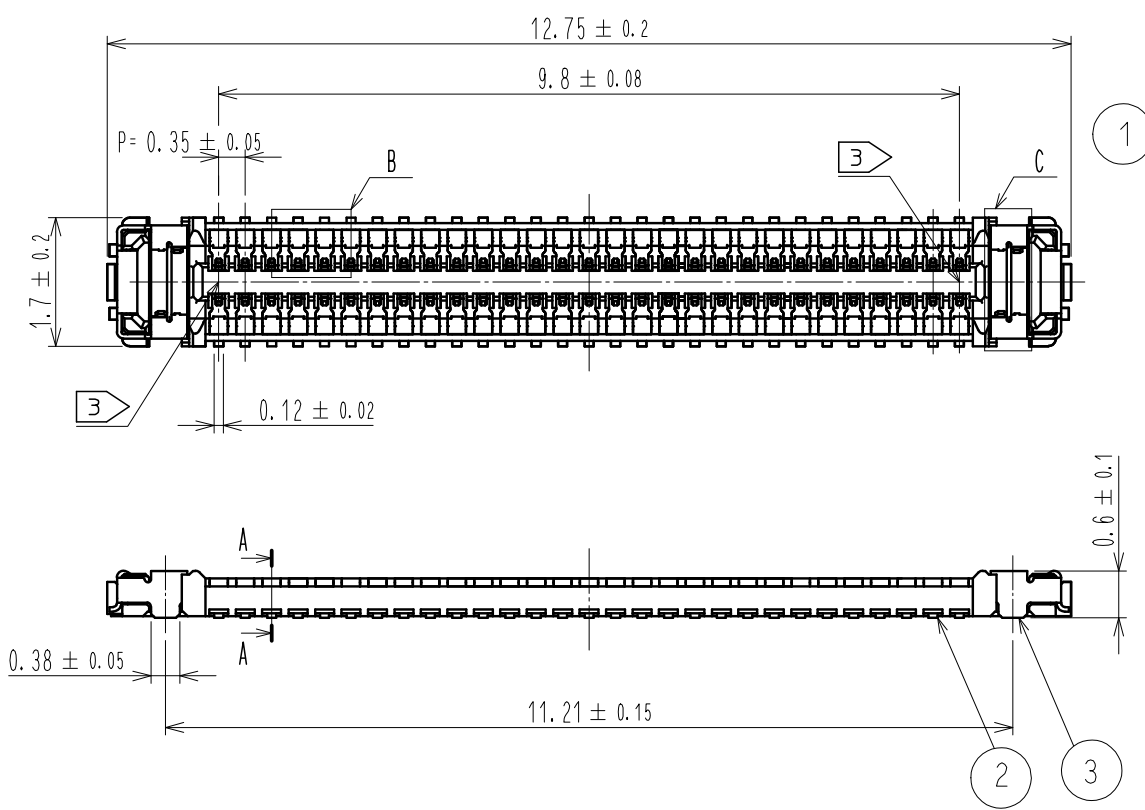


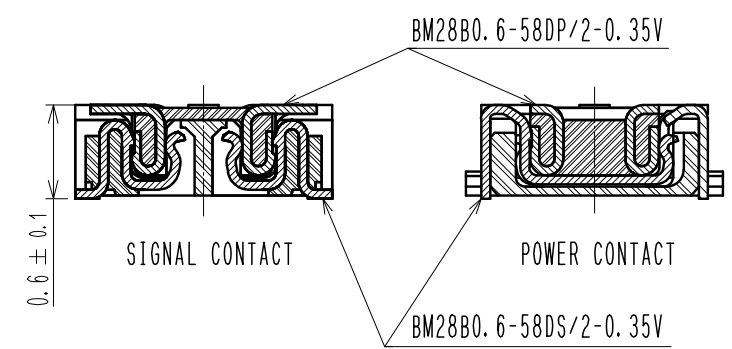
Feb.1.2025 Copyright 2025 HIROSE ELECTRIC CO., LTD. All Rights Reserved.  
In case of consideration for using Automotive equipment / device which demand high reliability, kindly contact our sales window correspondents.



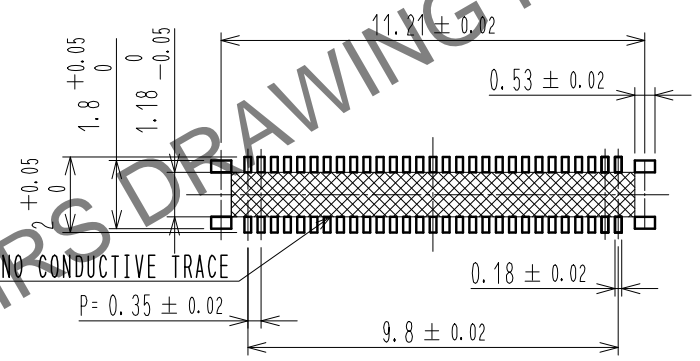
REFLOW METHOD: IR REFLOW  
 NUMBER OF REFLOW CYCLES: 2 CYCLES MAX.  
 1) REFLOW TIME  
 DURATION ABOVE 220°C, 60 SEC MAX.  
 (PEAK TEMPERATURE: 250°C MAX)  
 2) PRE-HEAT TIME  
 PRE-HEAT TEMPERATURE (MIN): 150°C  
 PRE-HEAT TEMPERATURE (MAX): 180°C  
 PRE-HEAT TIME: 90-120 SEC.

- 4 THIS TEMPERATURE PROFILE IS PER THE CONDITIONS SHOWN ABOVE. ADDITIONAL FACTORS, SUCH AS SOLDER PASTE TYPE, PCB SIZE AND OTHER MOUNTED COMPONENTS COULD AFFECT THE PROFILE. THEREFORE, A THOROUGH EVALUATION OF MOUNTING COONDITION IS REQUIRED PRIOR TO PRODUCTION. TEPERATURE IS MEASURED AT CONTACT LEAD.
- 5. PLEASE CONTACT US IN CASE YOU WILL MAKE DIFFERENT SETTINGS FROM OUR RECOMMENDATION.
- 6. THIS PRODUCT SATISFIES HALOGEN FREE REQUIREMENTS DEFINED AS 900ppm MAXIMUM CHLORINE, 900ppm MAXIMUM BROMINE, AND 1500ppm MAXIMUM TOTAL OF CHLORINE AND BROMINE.
- 7. THIS PRODUCT COMPLY WITH RoHS.
- 8 WELD LINE APPEARS IN THE INDICATED POSITION.
- 9 NO GOLD PLATING IS ACCEPTABLE FOR THIS AREA.

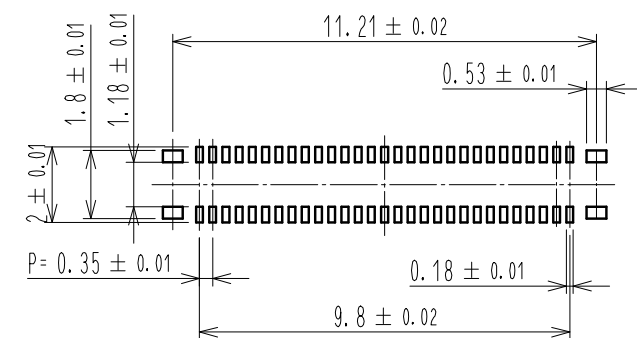
ENGAGEMENT FIGURE (20:1)



RECOMMENDED PCB LAYOUT



RECOMMENDED METAL MASK DIMENSIONS  
 METAL MASK THICKNESS : 80 μm



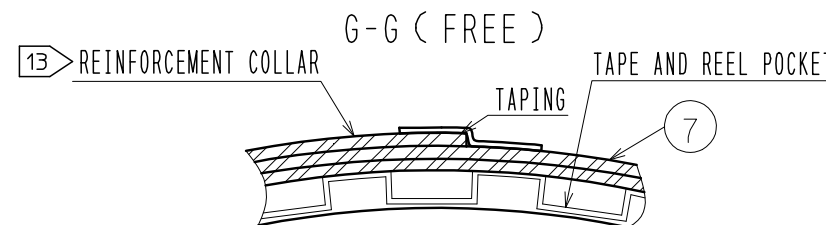
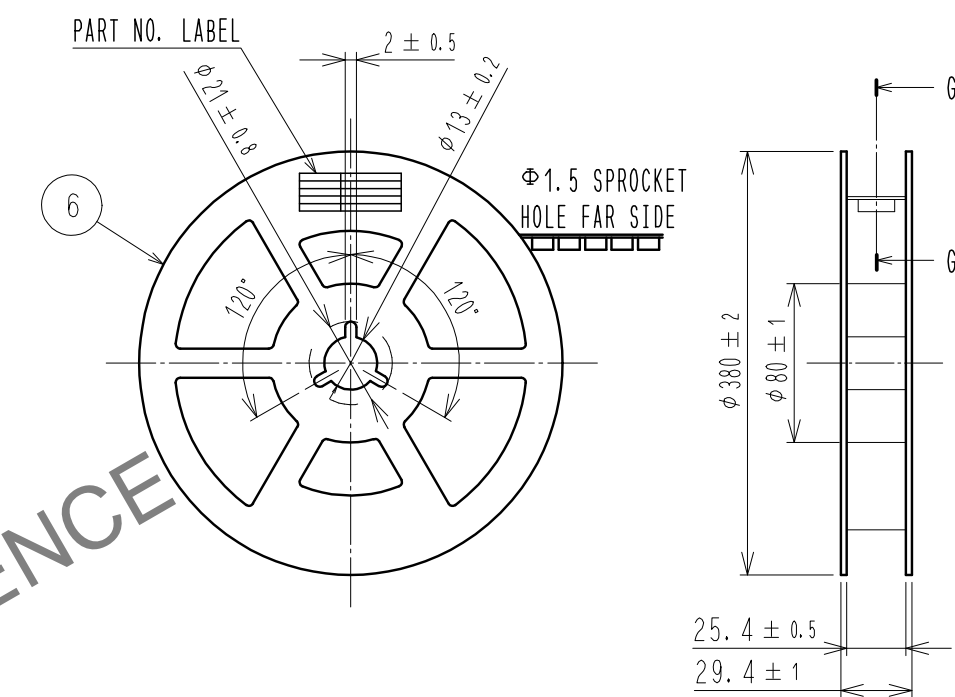
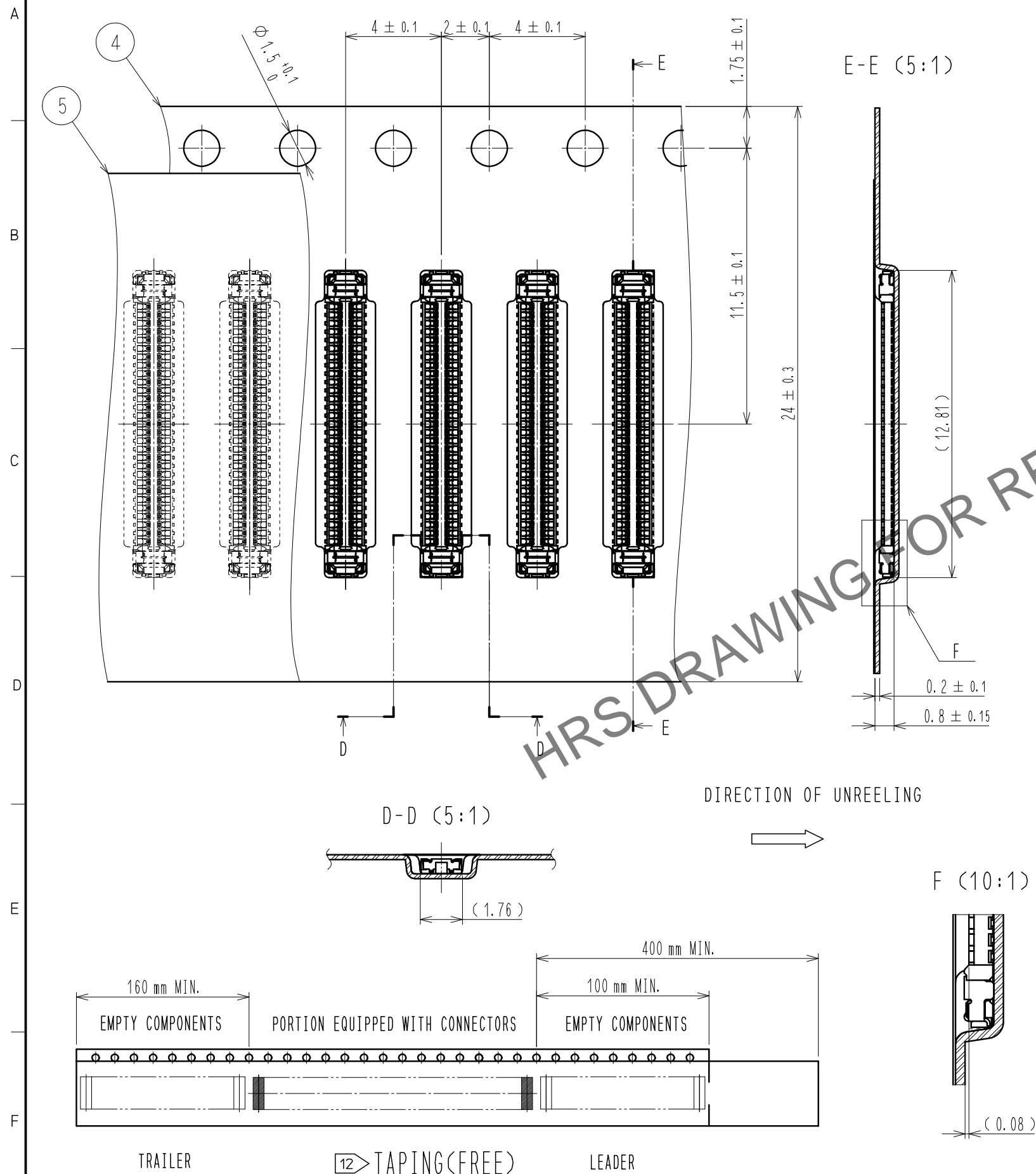
- NOTE 1. ALL LEAD CO-PLANARITY SHALL BE 0.08mm MAX.
- 2 CONTACT PLATING SPECIFICATIONS  
 CONTACT AREA : GOLD 0.05 μm MIN  
 SMT LEAD : GOLD 0.05 μm MIN  
 UNDER PLATING : NICKEL 1 μm MIN  
 ( SURFACE : SEALING )
  - 3 CAV No. AND HRS MARK EXIST IN THE INDICATED POSITION.

| 4                         | PS           | CLEAR (EMBOSSED CARRIER TAPE) |          |                                    |                              |         |      |
|---------------------------|--------------|-------------------------------|----------|------------------------------------|------------------------------|---------|------|
| 3                         | COPPER ALLOY | 2                             | 7        | PS                                 | CLEAR (REINFORCEMENT COLLAR) |         |      |
| 2                         | COPPER ALLOY | 2                             | 6        | PS                                 | BLACK (PLASTIC REEL)         |         |      |
| 1                         | LCP          | UL94 V-0, BLACK               | 5        | POLYESTER                          | CLEAR (COVER TAPE)           |         |      |
| NO.                       | MATERIAL     | FINISH . REMARKS              | NO.      | MATERIAL                           | FINISH . REMARKS             |         |      |
| UNITS mm                  |              | SCALE 10 : 1                  | COUNT    | DESCRIPTION OF REVISIONS           | DESIGNED                     | CHECKED | DATE |
| HIROSE ELECTRIC CO., LTD. |              | APPROVED : MO. ISHIDA         | 17.09.14 | DRAWING NO. EDC-631924             |                              |         |      |
|                           |              | CHECED : TS. MIYAZAKI         | 17.09.14 | PART NO. BM28B0.6-58DS/2-0.35V(51) |                              |         |      |
|                           |              | DESIGNED : RT. SHIMIZU        | 17.09.14 | CODE NO. CL6650-0002-1-051         |                              |         |      |
|                           |              | DRAWN : RT. SHIMIZU           | 17.09.14 | 1/2                                |                              |         |      |

In case of consideration for using Automotive equipment / device which demand high reliability, kindly contact our sales window correspondents.

# EMBOSED CARRIER TAPE PACKAGING (5:1)

## STYLE AND DIMENSION OF REEL (FREE)



### DETAIL OF PART NO. LABEL

|       |                |                      |
|-------|----------------|----------------------|
| 製造年月日 | ** ** *        | DATA OF MANUFACTURED |
| 製品コード | CL6650-****-** | CODE NO.             |
| 製品名   | BM28B0.6-**    | PART NO.             |
| 数量    | 20,000         | QUANTITY             |
| 納入者   | ヒロセ電機(株)       | SUPPLIER             |

- 10. PER REEL 20,000 CONNECTORS.
- 11. THE DIMENSIONS IN PARENTHESES ARE FOR REFERENCE.
- 12. REFER TO JIS C 0806, IEC 60286-3(PACKAGING OF COMPONENTS FOR AUTOMATIC HANDLING)
- 13. AFTER PACKAGING, ROLL 2 METERS OF THE REINFORCEMENT COLLAR TO OUTER CIRCUMFERENCE OF TAPE AND REEL POCKET, AND TAPE DOWN AT THE END THE COLLAR.

|            |             |                           |
|------------|-------------|---------------------------|
| <b>HRS</b> | DRAWING NO. | EDC3-631924               |
|            | PART NO.    | BM28B0.6-58DS/2-0.35V(51) |
|            | CODE NO.    | CL6650-0002-1-051         |
|            |             | 2/2                       |