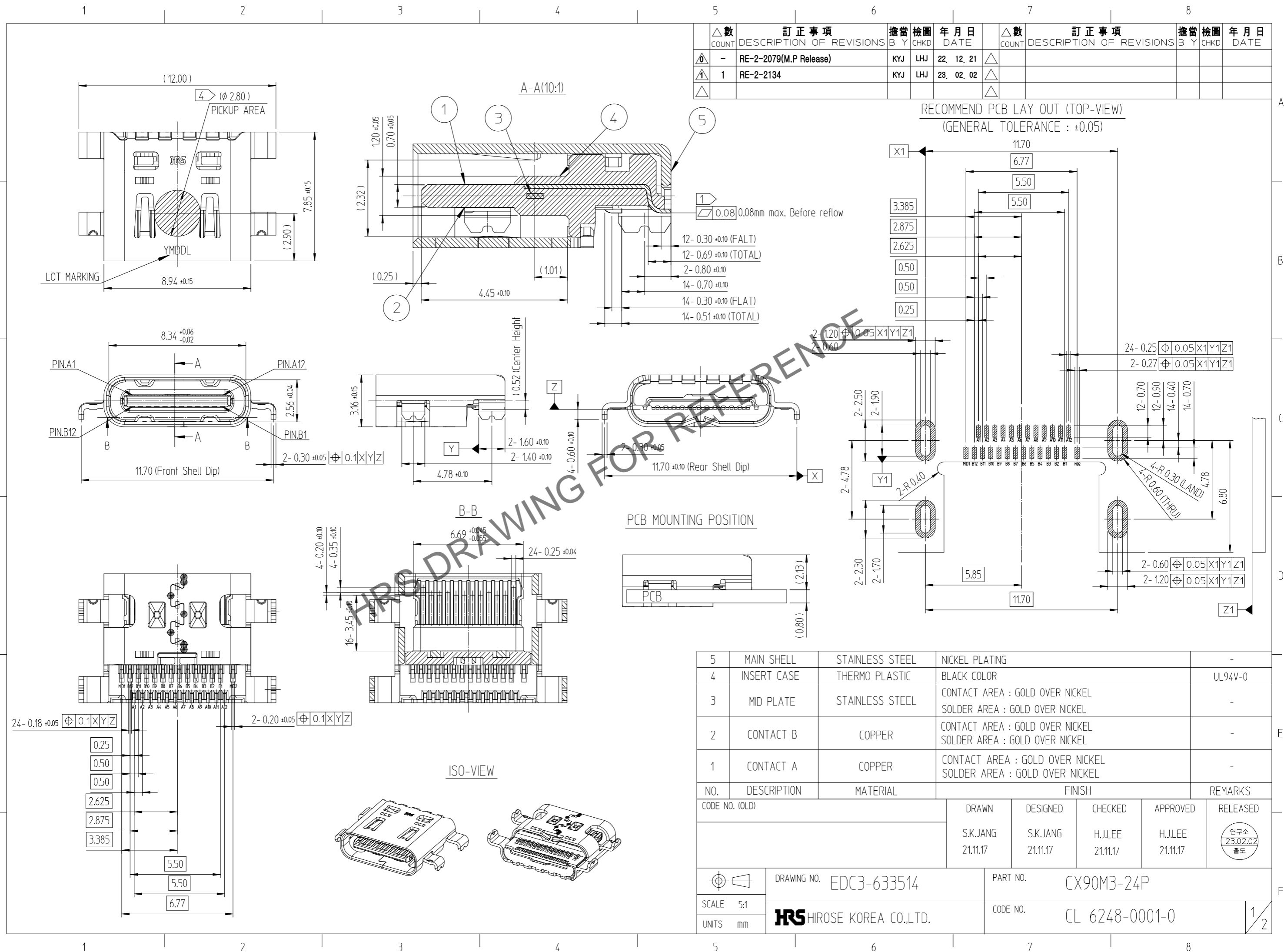


Apr. 1.2025 Copyright 2025 HIROSE ELECTRIC CO., LTD. All Rights Reserved.  
In case of consideration for using Automotive equipment / device which demand high reliability, kindly contact our sales window correspondents.



△數 COUNT	訂正事項 DESCRIPTION OF REVISIONS	擔當 B	檢圖 CHKD	年月日 DATE	△數 COUNT	訂正事項 DESCRIPTION OF REVISIONS	擔當 B	檢圖 CHKD	年月日 DATE
0	RE-2-2079(M.P Release)	KYJ	LHJ	22, 12, 21					
1	RE-2-2134	KYJ	LHJ	23, 02, 02					

NO.	DESCRIPTION	MATERIAL	FINISH	REMARKS
5	MAIN SHELL	STAINLESS STEEL	NICKEL PLATING	-
4	INSERT CASE	THERMO PLASTIC	BLACK COLOR	UL94V-0
3	MID PLATE	STAINLESS STEEL	CONTACT AREA : GOLD OVER NICKEL SOLDER AREA : GOLD OVER NICKEL	-
2	CONTACT B	COPPER	CONTACT AREA : GOLD OVER NICKEL SOLDER AREA : GOLD OVER NICKEL	-
1	CONTACT A	COPPER	CONTACT AREA : GOLD OVER NICKEL SOLDER AREA : GOLD OVER NICKEL	-

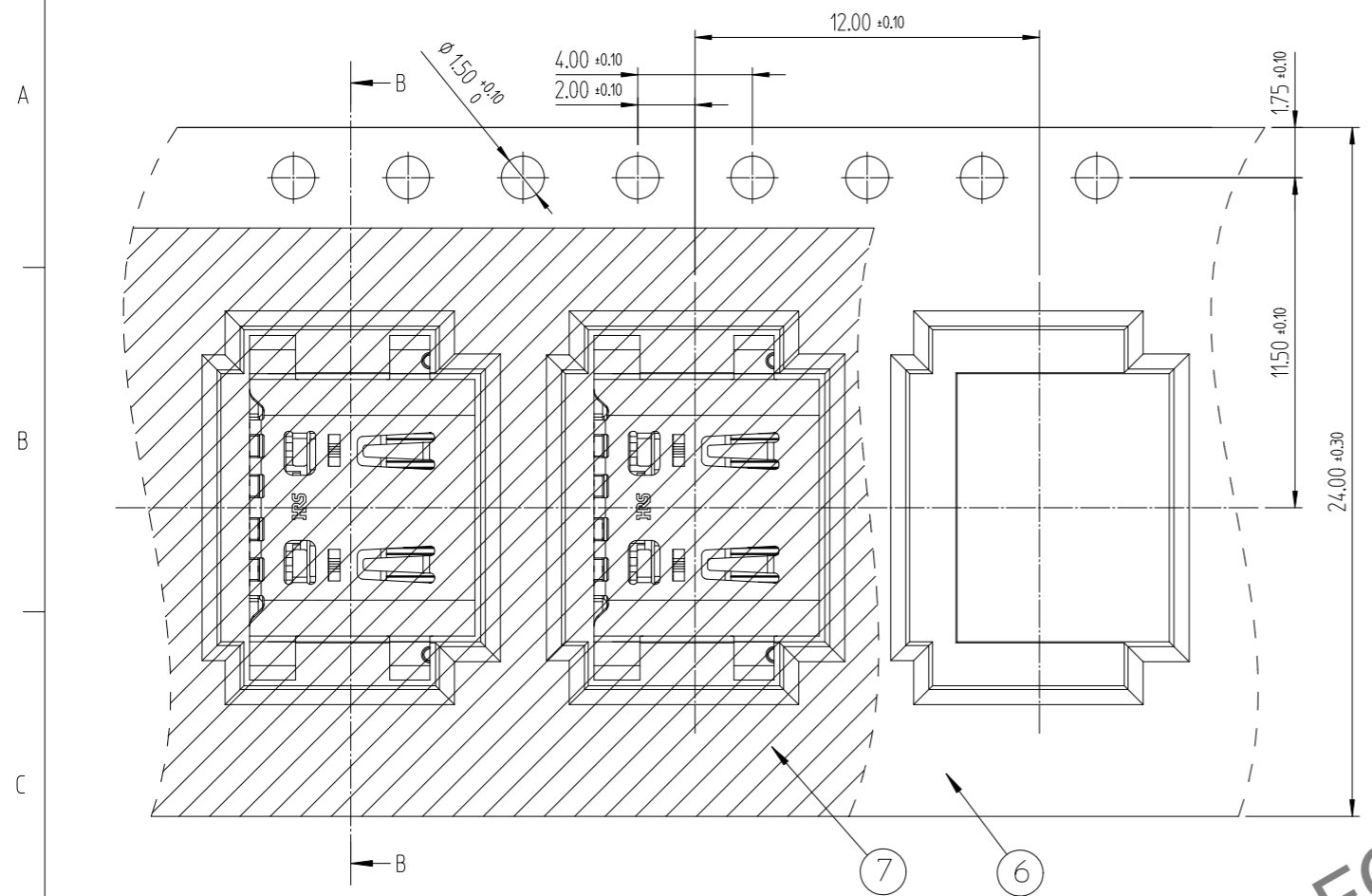
CODE NO. (OLD)		DRAWN	DESIGNED	CHECKED	APPROVED	RELEASED
		S.K.JANG 21.11.17	S.K.JANG 21.11.17	H.J.LEE 21.11.17	H.J.LEE 21.11.17	연구소 23.02.02 홍도

	DRAWING NO. EDC3-633514	PART NO. CX90M3-24P
SCALE 5:1	HIROSE KOREA CO.,LTD.	CODE NO. CL 6248-0001-0
UNITS mm		1/2

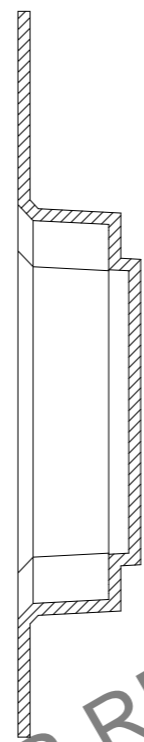
Apr.1.2025 Copyright 2025 HIROSE ELECTRIC CO., LTD. All Rights Reserved.  
In case of consideration for using Automotive equipment / device which demand high reliability, kindly contact our sales window correspondents.

DRAWING FOR PACKING

DIRECTION OF UNREELING

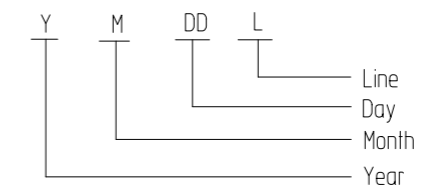


B-B



[NOTE]

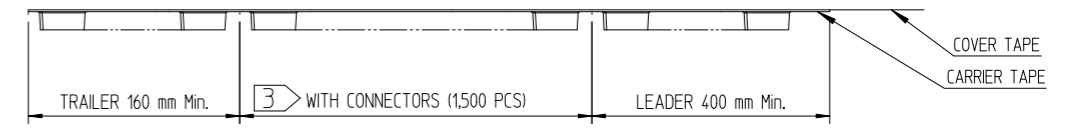
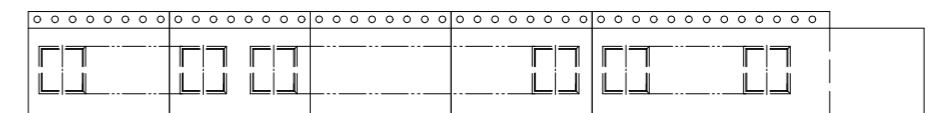
- ① Co-planarity of all contact tails
  - 0.08 MAX Before reflow
  - 0.10 MAX After reflow 2times
- ② Lot marking : 5 digits (YMDDL)



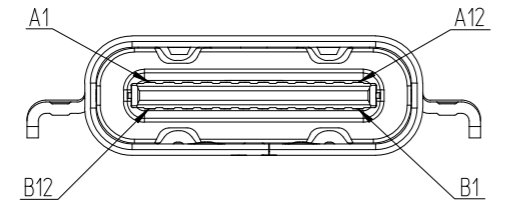
[Chart-1] LOT MARKING

Year	Month	Day	Production Line
Ex. Mark	Ex. Mark	Ex. Mark	Ex. MARK
2020 0	Jan. 1	1st 01	Sample S
2021 1	Feb. 2	2nd 02	MP Manual#1 1
2022 2	Mar. 3	3th 03	MP Manual#2 2
2023 3	Apr. 4	4th 04	MP Manual#3 3
2024 4	May 5	5th 05	MP Manual#4 4
2025 5	Jun. 6	6th 06	...
2026 6	Jul. 7	7th 07	MP Auto#1 A
2027 7	Aug. 8	8th 08	MP Auto#2 B
2028 8	Sep. 9	9th 09	MP Auto#3 C
2029 9	Oct. A	10th 10	MP Auto#4 D
	Nov. B	11th 11	MP Auto#5 E
	Dec. C	...	...

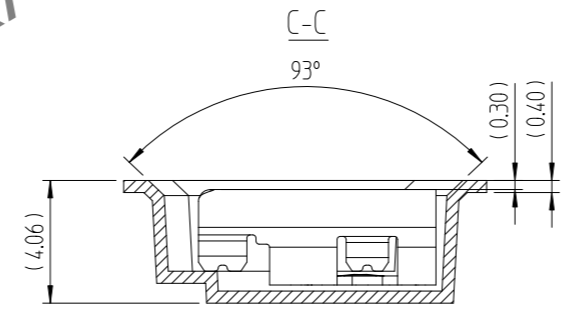
- 3. Carrier tape packing  
Packing quantity : 1,500EA/REEL  
Cover tape peeling force : 10~130gf(0.1~1.3N) @ 300mm/min



② PIN ASSIGNMENT (FRONT-VIEW)

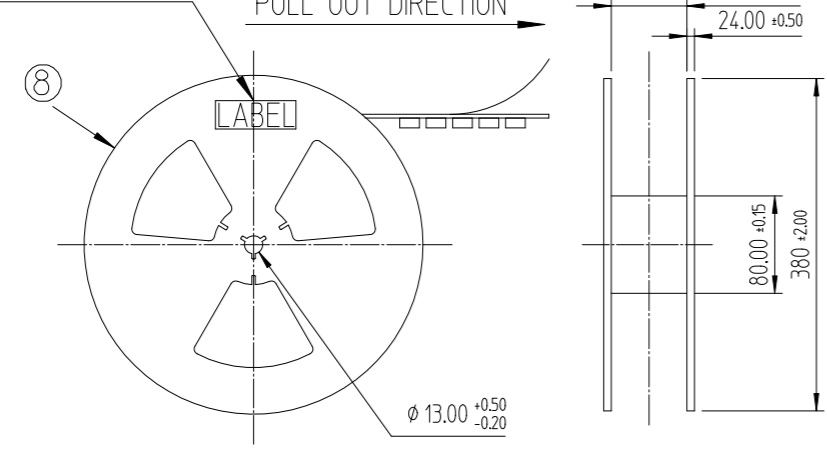


A1	A2	A3	A4	A5	A6	A7	A8	A9	A10	A11	A12
GND	TX1+	TX1-	V <sub>BUS</sub>	CC1	D+	D-	SBU1	V <sub>BUS</sub>	RX2-	RX2+	GND
GND	RX1+	RX1-	V <sub>BUS</sub>	SBU2	D-	D+	CC2	V <sub>BUS</sub>	TX2-	TX2+	GND
B12	B11	B10	B9	B8	B7	B6	B5	B4	B3	B2	B1



④ PICKUP AREA

LABEL POSITION



NO.	DESCRIPTION	MATERIAL	FINISH	REMARKS
8	REEL BOBBIN	PS	-	-
7	COVER TAPE	PET	-	-
6	EMBOSS TAPE	PS	Thermo-Comperssion Sealing	-

SCALE 4:1 UNITS mm	DRAWING NO. EDC3-633514 <b>HRS</b> HIROSE KOREA CO.,LTD.	PART NO. CX90M3-24P CODE NO. CL 6248-0001-0	2/2
-----------------------	---	--	-----