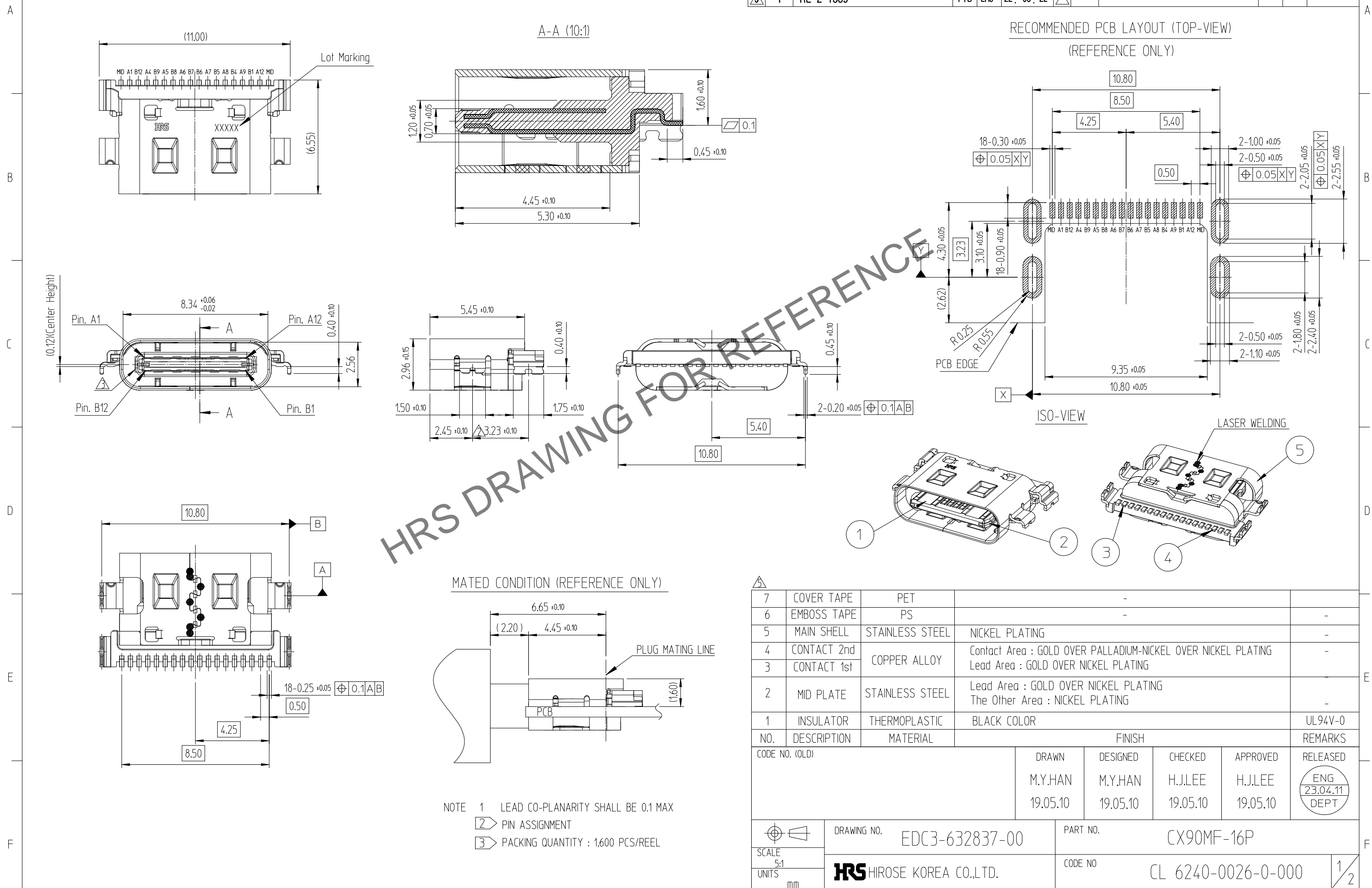


Apr.1.2025 Copyright 2025 HIROSE ELECTRIC CO., LTD. All Rights Reserved.
In case of consideration for using Automotive equipment / device which demand high reliability, kindly contact our sales window correspondents.

△數 COUNT	訂正事項 DESCRIPTION OF REVISIONS	擔當 B Y	檢圖 CHKD	年月日 DATE	△數 COUNT	訂正事項 DESCRIPTION OF REVISIONS	擔當 B Y	檢圖 CHKD	年月日 DATE
①	-	PMC	LHJ	19. 09. 30	④	-	KYJ	LHJ	22. 06. 17
②	1	PYB	LHJ	21. 06. 02	⑤	1	JSK	LHJ	23. 04. 11
③	1	PYB	LHJ	22. 03. 22	△				

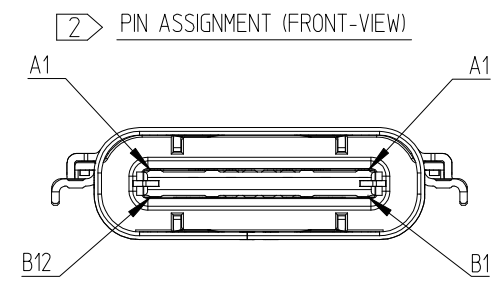
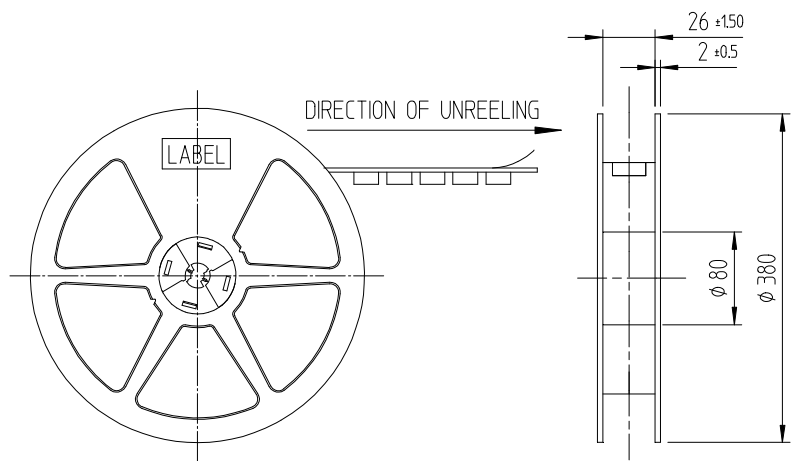
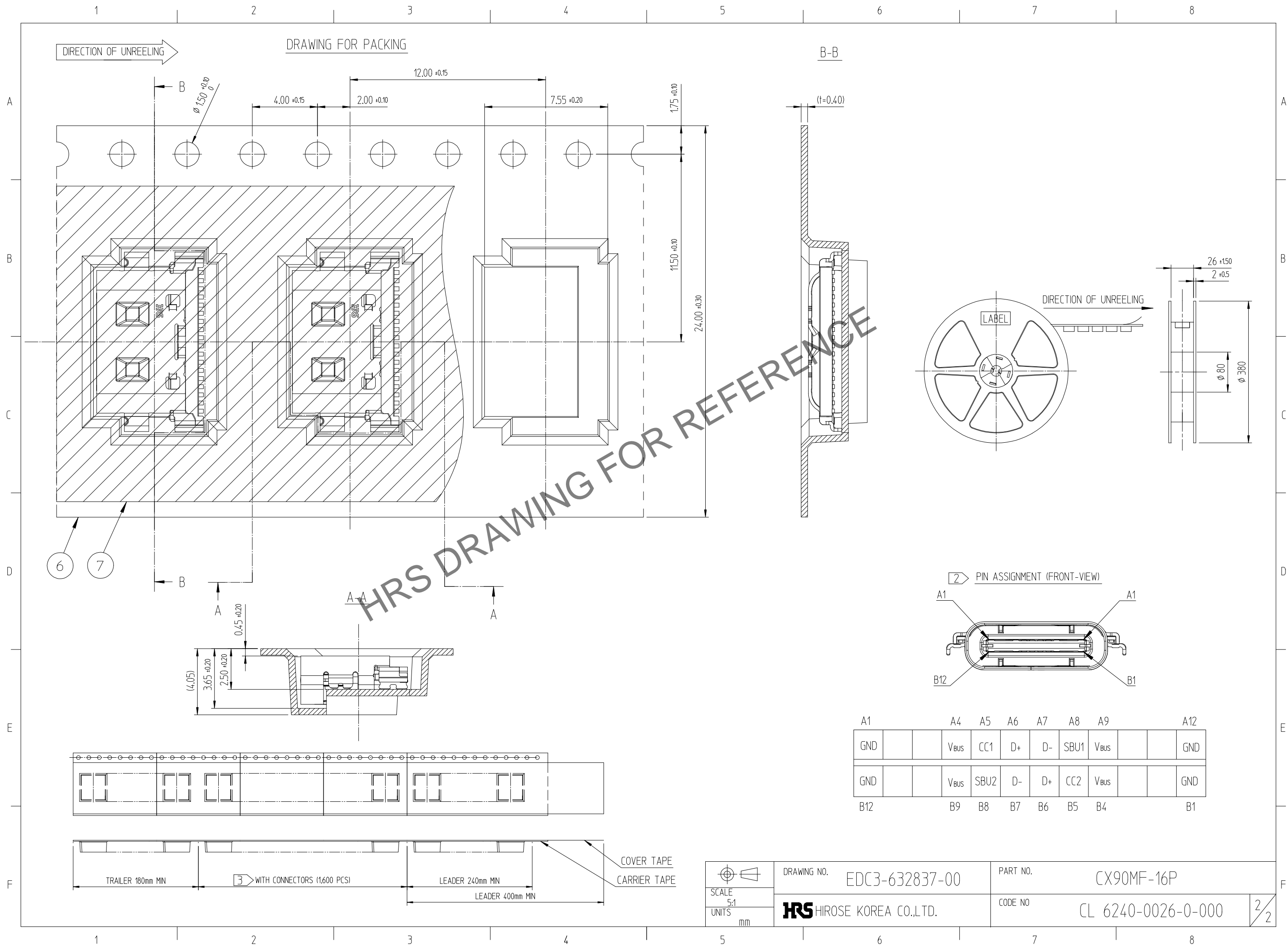


HRS DRAWING FOR REFERENCE

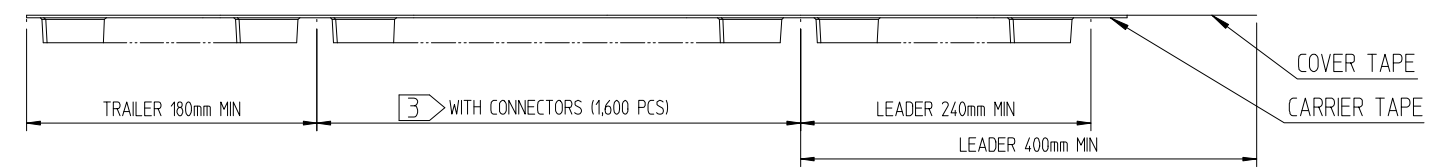
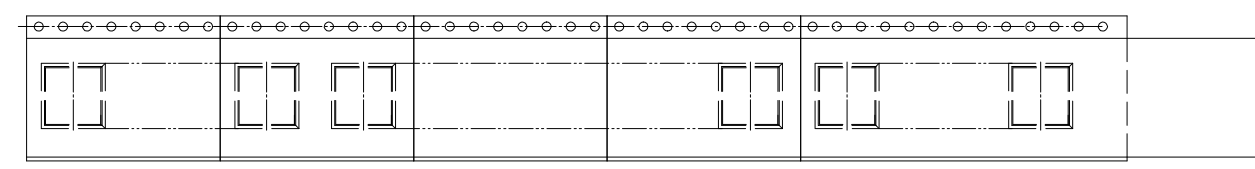
NO.	DESCRIPTION	MATERIAL	FINISH	REMARKS
7	COVER TAPE	PET	-	-
6	EMBOSS TAPE	PS	-	-
5	MAIN SHELL	STAINLESS STEEL	NICKEL PLATING	-
4	CONTACT 2nd	COPPER ALLOY	Contact Area : GOLD OVER PALLADIUM-NICKEL OVER NICKEL PLATING	-
3	CONTACT 1st		Lead Area : GOLD OVER NICKEL PLATING	-
2	MID PLATE	STAINLESS STEEL	Lead Area : GOLD OVER NICKEL PLATING The Other Area : NICKEL PLATING	-
1	INSULATOR	THERMOPLASTIC	BLACK COLOR	UL94V-0
CODE NO. (OLD)				RELEASED
DRAWN		DESIGNED	CHECKED	APPROVED
M.Y.HAN		M.Y.HAN	H.J.LEE	H.J.LEE
19.05.10		19.05.10	19.05.10	19.05.10
DRAWING NO. EDC3-632837-00		PART NO. CX90MF-16P		
HRS HIROSE KOREA CO.,LTD.		CODE NO. CL 6240-0026-0-000		1/2

NOTE 1 LEAD CO-PLANARITY SHALL BE 0.1 MAX
 ② PIN ASSIGNMENT
 ③ PACKING QUANTITY : 1,600 PCS/REEL

Apr.1.2025 Copyright 2025 HIROSE ELECTRIC CO., LTD. All Rights Reserved.
 In case of consideration for using Automotive equipment / device which demand high reliability, kindly contact our sales window correspondents.



A1		A4	A5	A6	A7	A8	A9		A12
GND		V _{BUS}	CC1	D+	D-	SBU1	V _{BUS}		GND
GND		V _{BUS}	SBU2	D-	D+	CC2	V _{BUS}		GND
B12		B9	B8	B7	B6	B5	B4		B1



 SCALE 5:1 UNITS mm	DRAWING NO.	EDC3-632837-00		PART NO.	CX90MF-16P	
	HIROSE KOREA CO.,LTD.			CODE NO	CL 6240-0026-0-000	
						2/2