

△數 COUNT	訂正事項 DESCRIPTION OF REVISIONS	擔當 CHKD	檢圖 CHKD	年月日 DATE	△數 COUNT	訂正事項 DESCRIPTION OF REVISIONS	擔當 CHKD	檢圖 CHKD	年月日 DATE
1	Preliminary drawing(RE-2-2351)	KYG	LHJ	23. 07. 31	1	EC(RE-2-2556)	KJH	LHJ	24. 05. 01
2	Preliminary drawing(RE-2-2440)	KYG	LHJ	23. 10. 26					
-	Released(RE-2-2477)	KYG	LHJ	23. 12. 08					

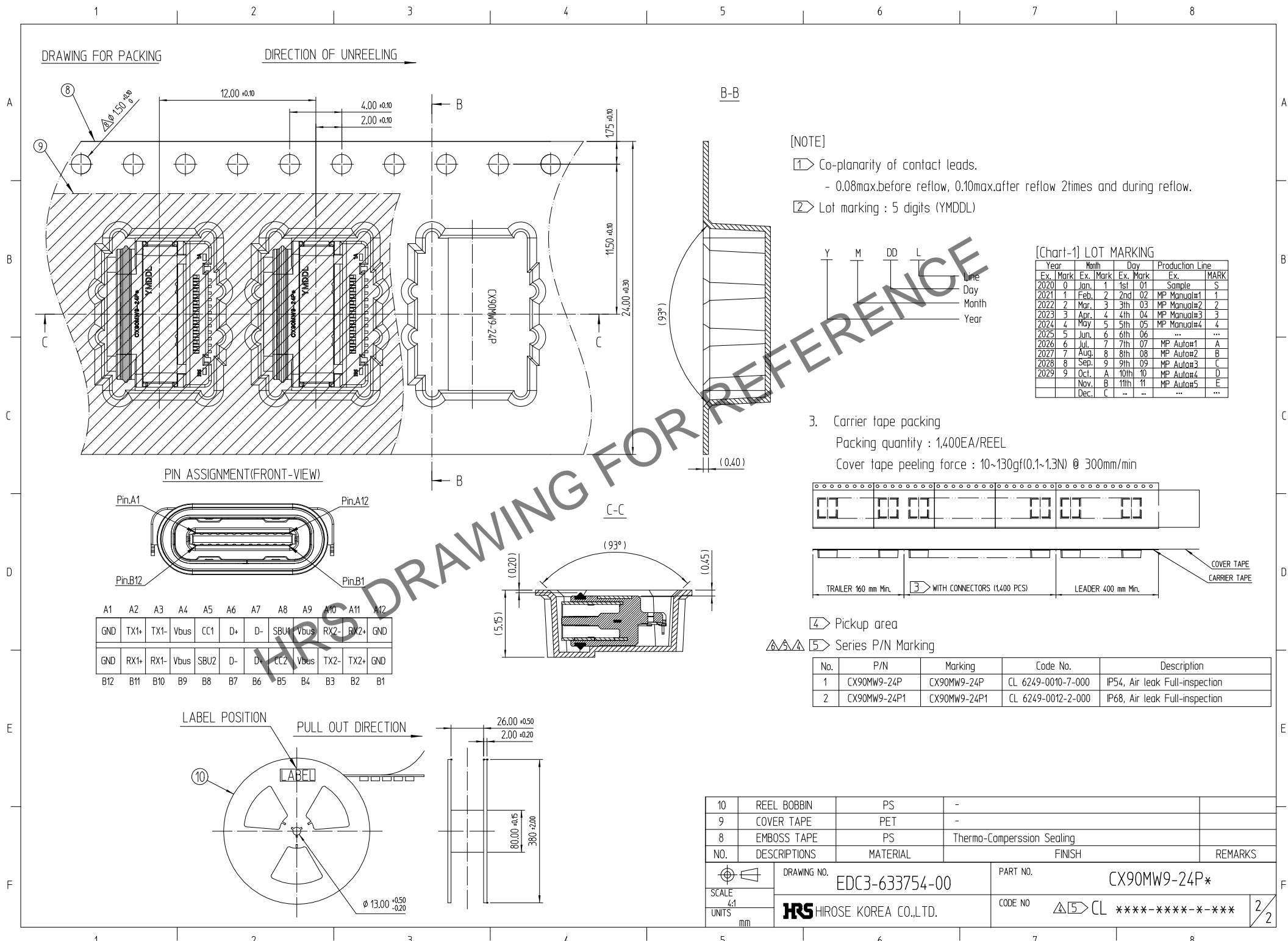
PCB MOUNTING POSITION

RECOMMENDED PCB LAYOUT(TOP-VIEW)
 (GENERAL TOLERANCE : ±0.05)

NO.	DESCRIPTIONS	MATERIAL	FINISH	REMARKS
7	GASKET	SILICONE	GRAY COLOR	-
6	BRACKET	STAINLESS STEEL	NICKEL PLATING	-
5	SHELL	STAINLESS STEEL	CLEANSING	-
4	MID PLATE	STAINLESS STEEL	NICKEL PLATING △	-
3	CONTACT 2ND	COPPER ALLOY	CONTACT AREA : GOLD OVER NICKEL PLATING SOLDER AREA : GOLD OVER NICKEL PLATING THE OTHER AREA : NICKEL PLATING	-
2	CONTACT 1ST	COPPER ALLOY		
1	INSERT CASE	THERMOPLASTIC	BLACK COLOR	UL94V-0

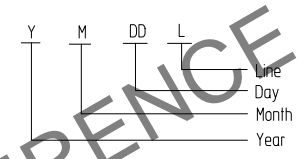
CODE NO. (OLD)	DRAWN	DESIGNED	CHECKED	APPROVED	RELEASED
	Y.GKIM 22.09.29	Y.GKIM 22.09.29	H.JLEE 22.09.29	H.JLEE 22.09.29	ENG 24.05.01 DEPT

DRAWING NO. EDC3-633754-00	PART NO. CX90MW9-24P*
SCALE 5:1	CODE NO △5>CL *****-****
UNITS mm	1/2



[NOTE]

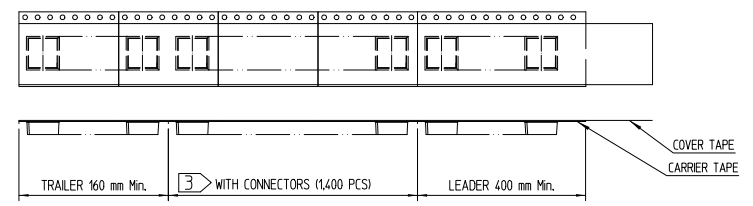
- 1) Co-planarity of contact leads.
- 0.08max.before reflow, 0.10max.after reflow 2times and during reflow.
- 2) Lot marking : 5 digits (YMDDL)



[Chart-1] LOT MARKING

Year	Month	Day	Production Line
2020	0	1st	01 Sample
2021	1	2nd	02 MP Manual#1
2022	2	3rd	03 MP Manual#2
2023	3	4th	04 MP Manual#3
2024	4	5th	05 MP Manual#4
2025	5	6th	06 ...
2026	6	7th	07 MP Auto#1
2027	7	8th	08 MP Auto#2
2028	8	9th	09 MP Auto#3
2029	9	10th	10 MP Auto#4
	Nov.	11th	11 MP Auto#5
	Dec.	C

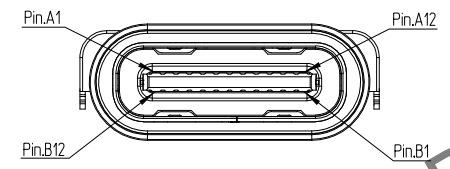
3. Carrier tape packing
 Packing quantity : 1,400EA/REEL
 Cover tape peeling force : 10~130gf(0.1~1.3N) @ 300mm/min



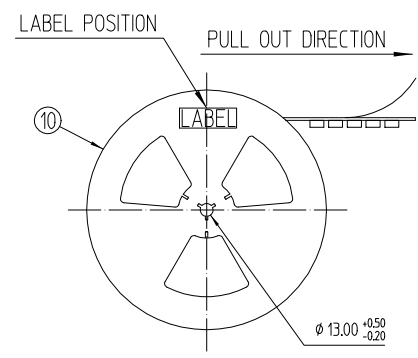
- 4) Pickup area
- 5) Series P/N Marking

No.	P/N	Marking	Code No.	Description
1	CX90MW9-24P	CX90MW9-24P	CL 6249-0010-7-000	IP54, Air leak Full-inspection
2	CX90MW9-24P1	CX90MW9-24P1	CL 6249-0012-2-000	IP68, Air leak Full-inspection

PIN ASSIGNMENT(FRONT-VIEW)



A1	A2	A3	A4	A5	A6	A7	A8	A9	A10	A11	A12
GND	TX1+	TX1-	Vbus	CC1	D+	D-	SBU1	Vbus	RX2-	RX2+	GND
GND	RX1+	RX1-	Vbus	SBU2	D-	D+	CC2	Vbus	TX2-	TX2+	GND
B12	B11	B10	B9	B8	B7	B6	B5	B4	B3	B2	B1



10	REEL BOBBIN	PS	-	
9	COVER TAPE	PET	-	
8	EMBOSS TAPE	PS	Thermo-Comperssion Sealing	
NO.	DESCRIPTIONS	MATERIAL	FINISH	REMARKS
	DRAWING NO.	EDC3-633754-00		PART NO.
	SCALE	4:1		CX90MW9-24P*
	UNITS	mm		CODE NO
		HRS HIROSE KOREA CO.,LTD.		△5> CL *****-*****-***
				2/2