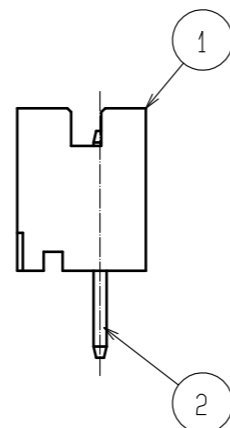
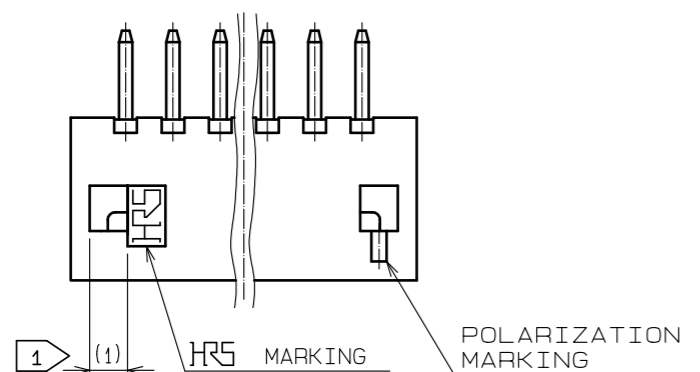
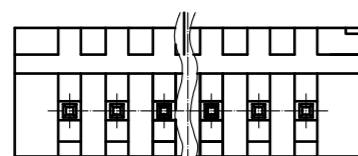
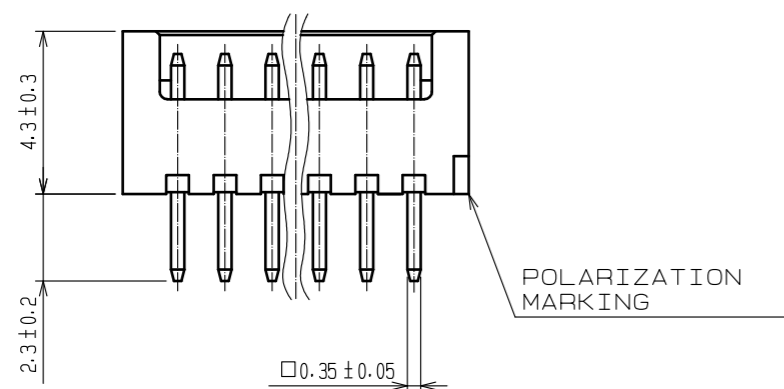
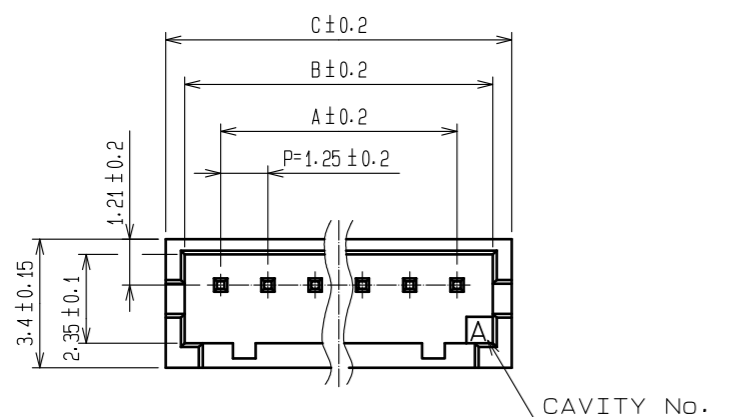
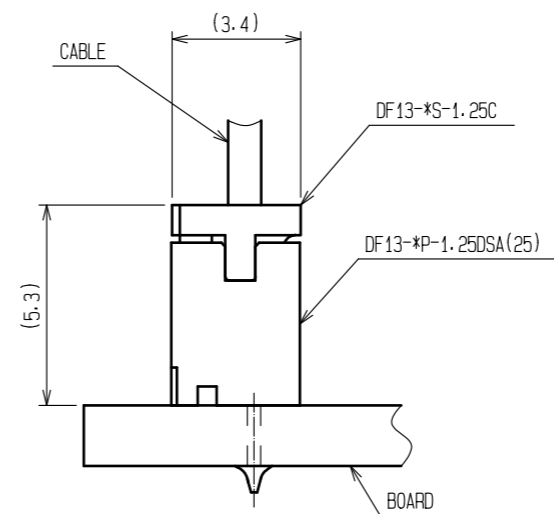


Jul.1.2024 Copyright 2024 HIROSE ELECTRIC CO., LTD. All Rights Reserved.
In case of consideration for using Automotive equipment / device which demand high reliability, kindly contact our sales window correspondents.

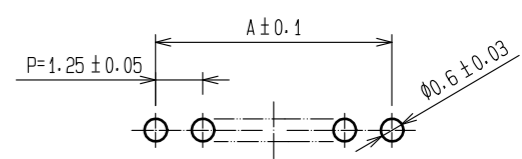


PART No.	CODE No.	NUMBER OF CONTACTS	A	B	C
DF13- 2P-1.25DSA(25)	CL536-0101-9-25	2	1.25	3.15	4.15
DF13- 3P-1.25DSA(25)	CL536-0102-1-25	3	2.5	4.4	5.4
DF13- 4P-1.25DSA(25)	CL536-0103-4-25	4	3.75	5.65	6.65
DF13- 5P-1.25DSA(25)	CL536-0104-7-25	5	5	6.9	7.9
DF13- 6P-1.25DSA(25)	CL536-0105-0-25	6	6.25	8.15	9.15
DF13- 7P-1.25DSA(25)	CL536-0106-2-25	7	7.5	9.4	10.4
DF13- 8P-1.25DSA(25)	CL536-0107-5-25	8	8.75	10.65	11.65
DF13- 9P-1.25DSA(25)	CL536-0108-8-25	9	10	11.9	12.9
DF13-10P-1.25DSA(25)	CL536-0109-0-25	10	11.25	13.15	14.15
DF13-11P-1.25DSA(25)	CL536-0110-0-25	11	12.5	14.4	15.4
DF13-12P-1.25DSA(25)	CL536-0111-2-25	12	13.75	15.65	16.65
DF13-13P-1.25DSA(25)	CL536-0112-5-25	13	15	16.9	17.9
DF13-14P-1.25DSA(25)	CL536-0113-8-25	14	16.25	18.15	19.15
DF13-15P-1.25DSA(25)	CL536-0114-0-25	15	17.5	19.4	20.4

2 APPLICATION FIGURE



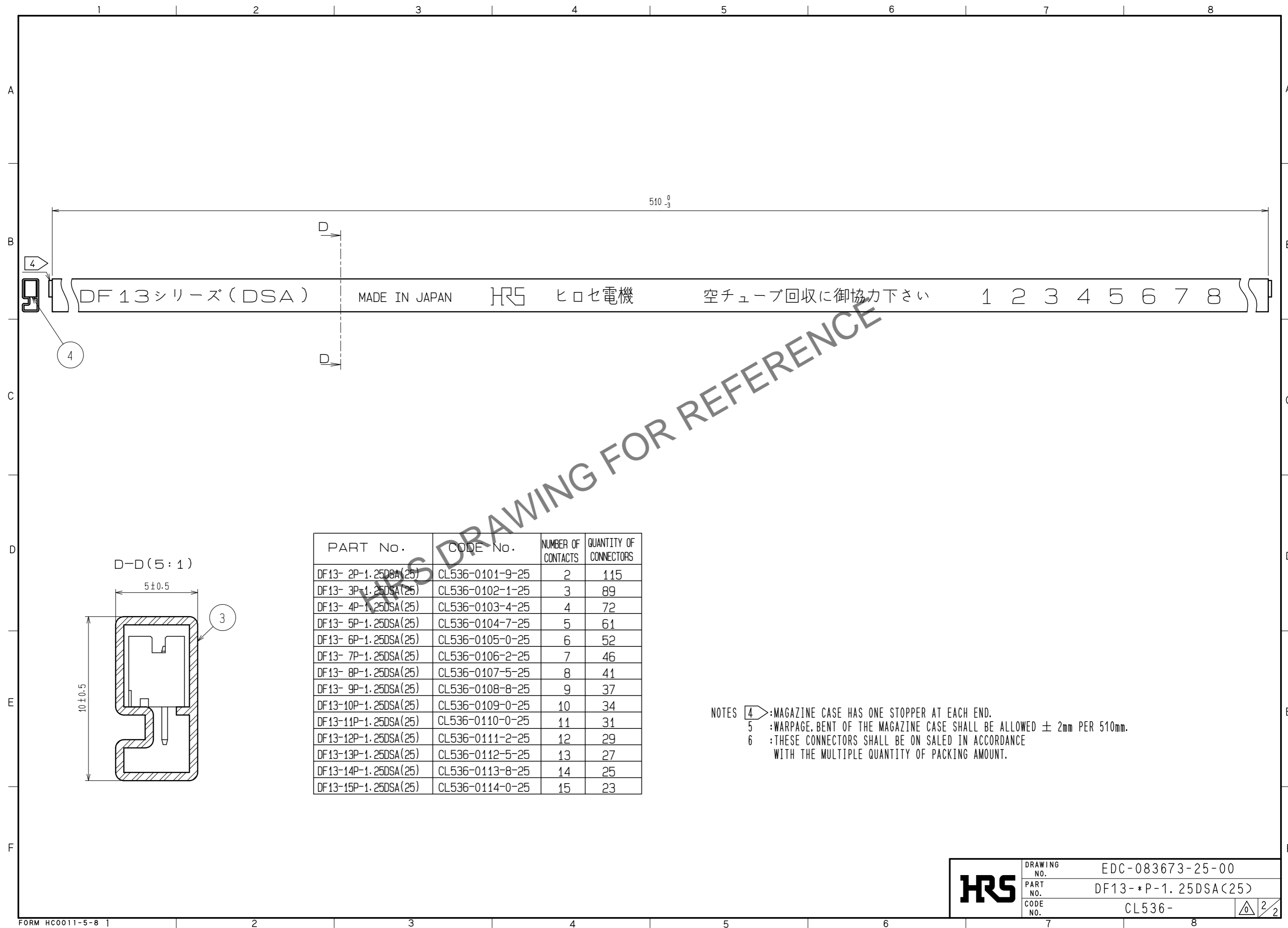
3 RECOMMENDED PATTERN (BOARD THICKNESS 1mm)



- 1 WHEN THIS CONNECTOR HAS TWO OR THREE CONTACTS, THE LOCK OF CONNECTOR SHALL BE SET AT THE CENTER OF HOUSING. IN CASE THAT THE NUMBER OF CONTACTS IS MORE THAN FOUR, THE TWO LOCKS SHALL BE SET IN ACCORDANCE WITH THE DRAWINGS.
- 2 WHEN THIS CONNECTOR MATES WITH DF13-*S-1.25C, THE MATING HEIGHT IS 5.3mm.
- 3 RECOMMENDED THROUGH HOLE DIA. : Ø0.6±0.03

2	BRASS	SURFACE:TIN PLATED 1µm min. UNDER PLATING:COPPER PLATED 1µm min	4	ELASTOMER	GREEN STOPPER
1	POLYAMIDE	BEIGE (NATURAL)・UL94V-0	3	PS	ANTI-ELECTRIFICATION・CLEAR・STICK
NO.	MATERIAL	FINISH, REMARKS	NO.	MATERIAL	FINISH, REMARKS
UNITS mm		SCALE 5 : 1	COUNT	DESCRIPTION OF REVISIONS	
DESIGNED		CHECKED		DATE	
APPROVED : S.J. OKAMURA 20211217			DRAWING NO. EDC-083673-25-00		
CHECKED : SZ. ONO 20211217			PART NO. DF13-*P-1.25DSA(25)		
DESIGNED : HT. SATO 20211217			CODE NO. CL536-		
DRAWN : SK. CHIBA 20211217			1/2		

Jul.1.2024 Copyright 2024 HIROSE ELECTRIC CO., LTD. All Rights Reserved.
 In case of consideration for using Automotive equipment / device which demand high reliability, kindly contact our sales window correspondents.



PART No.	CODE No.	NUMBER OF CONTACTS	QUANTITY OF CONNECTORS
DF13- 2P-1.25DSA(25)	CL536-0101-9-25	2	115
DF13- 3P-1.25DSA(25)	CL536-0102-1-25	3	89
DF13- 4P-1.25DSA(25)	CL536-0103-4-25	4	72
DF13- 5P-1.25DSA(25)	CL536-0104-7-25	5	61
DF13- 6P-1.25DSA(25)	CL536-0105-0-25	6	52
DF13- 7P-1.25DSA(25)	CL536-0106-2-25	7	46
DF13- 8P-1.25DSA(25)	CL536-0107-5-25	8	41
DF13- 9P-1.25DSA(25)	CL536-0108-8-25	9	37
DF13-10P-1.25DSA(25)	CL536-0109-0-25	10	34
DF13-11P-1.25DSA(25)	CL536-0110-0-25	11	31
DF13-12P-1.25DSA(25)	CL536-0111-2-25	12	29
DF13-13P-1.25DSA(25)	CL536-0112-5-25	13	27
DF13-14P-1.25DSA(25)	CL536-0113-8-25	14	25
DF13-15P-1.25DSA(25)	CL536-0114-0-25	15	23

NOTES 4 :MAGAZINE CASE HAS ONE STOPPER AT EACH END.
 5 :WARPAGE, BENT OF THE MAGAZINE CASE SHALL BE ALLOWED ± 2mm PER 510mm.
 6 :THESE CONNECTORS SHALL BE ON SALED IN ACCORDANCE WITH THE MULTIPLE QUANTITY OF PACKING AMOUNT.

HRS	DRAWING NO.	EDC-083673-25-00	
	PART NO.	DF13-*P-1.25DSA(25)	
	CODE NO.	CL536-	2/2