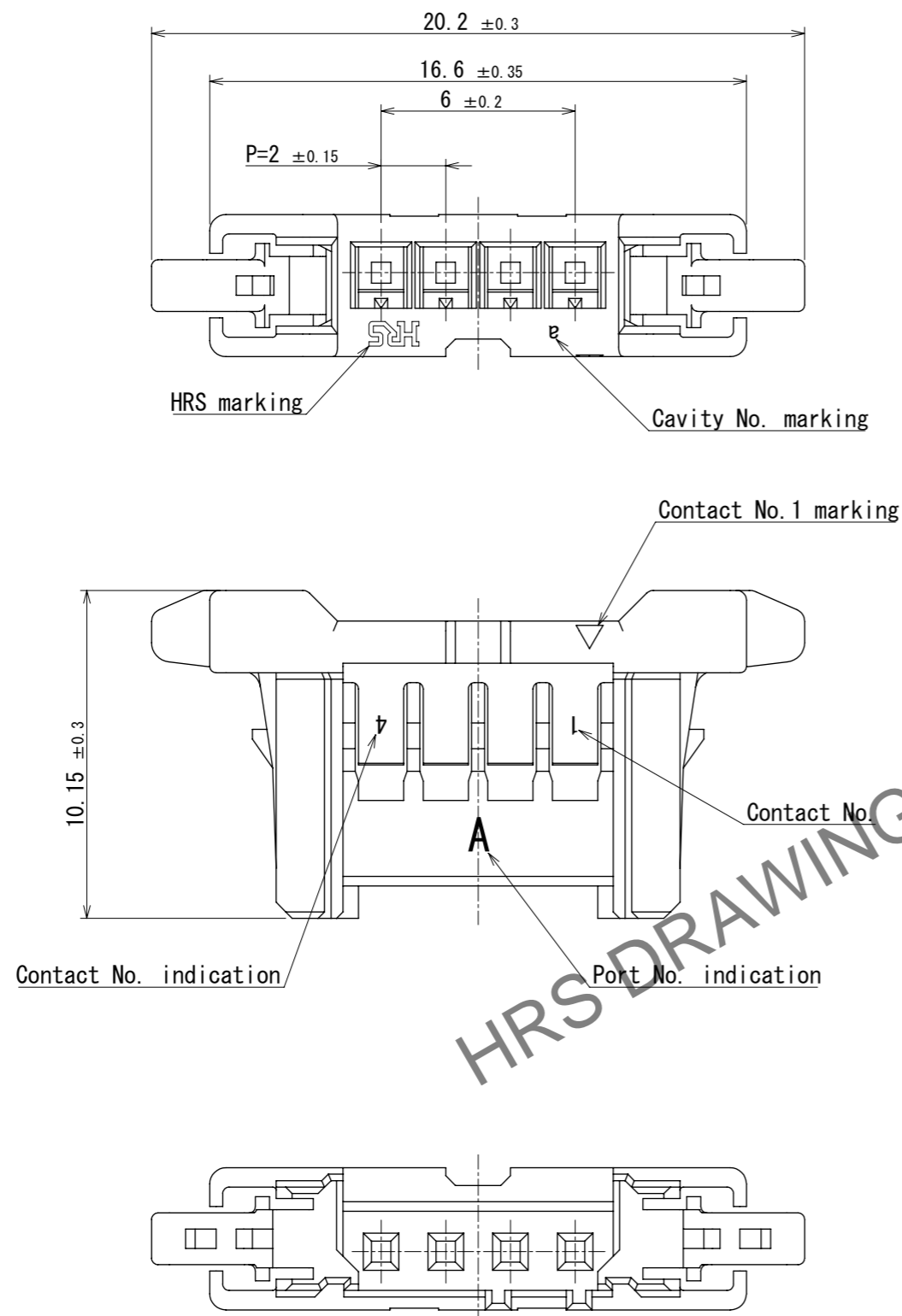


Mar.1.2025 Copyright 2025 HIROSE ELECTRIC CO., LTD. All Rights Reserved.
In case of consideration for using Automotive equipment / device which demand high reliability, kindly contact our sales window correspondents.



- 注 1. 100 pieces per pack
 2. Refer to these manuals for handling this connector.
 Cable assembly : ATAD-H0923-00
 Mating and unmating operation : ATAD-H0847-00
 3. There may be slight scratches or dents on the appearance, but this does not affect the function.
 4. UL (File No. E52653)
 C-UL (File No. E52653) authorization article



△ 5. Please refer to the technical specification (ATAP-H0957-00) for the packing type.

NO.	MATERIAL	FINISH	REMARKS	NO.	MATERIAL	FINISH	REMARKS	
				1	PBT		UL94V-0, BLACK	
UNITS		SCALE	COUNT	DESCRIPTION OF REVISIONS		DESIGNED	CHECKED	DATE
mm		5:1	△ 1	DIS-H-00021641		SN. MIWA	TT. OHSAKO	2024. 10. 24
HIROSE ELECTRIC CO., LTD.		APPROVED	S.J. OKAMURA 2024. 10. 01		DRAWING NO. EDC-405316-00-00			
		CHECKED	TT. OHSAKO 2024. 10. 01		PART NO. DF51BA-4S-2C			
		DESIGNED	SN. MIWA 2024. 10. 01		CODE NO. CL0543-5139-0-00			
		DRAWN	SK. CHIBA 2024. 10. 01		1/1			