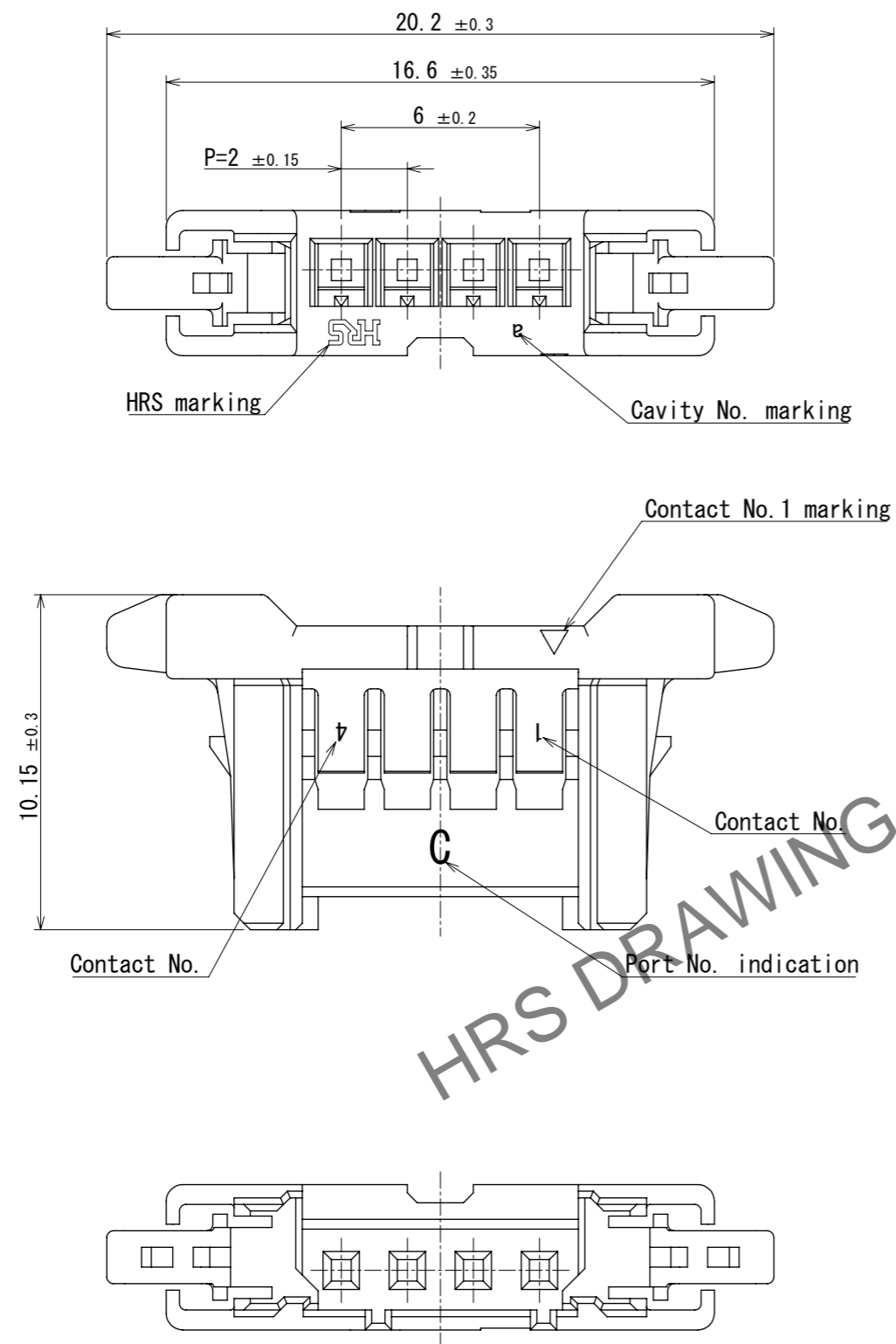


May.1.2025 Copyright 2025 HIROSE ELECTRIC CO., LTD. All Rights Reserved.
In case of consideration for using Automotive equipment / device which demand high reliability, kindly contact our sales window correspondents.



- 注 1. 100 pieces per pack
 2. Refer to these manuals for handling this connector.
 Cable assembly : ATAD-H0923-00
 Mating and unmating operation : ATAD-H0847-00
 3. There may be slight scratches or dents on the appearance, but this does not affect the function.
 4. UL (File No.E52653)
 C-UL (File No.E52653) authorization article



△ 5. Please refer to the technical specification (ATAP-H0957-00) for the packing type.

				1		PBT		UL94V-0, BLACK	
NO.	MATERIAL	FINISH	REMARKS	NO.	MATERIAL	FINISH	REMARKS		
UNITS		SCALE	COUNT	DESCRIPTION OF REVISIONS		DESIGNED	CHECKED	DATE	
mm		5:1	△ 1	DIS-H-00021641		SN. MIWA	TT. OHSAKO	2024. 10. 24	
		APPROVED :	SJ. OKAMURA	2024. 10. 01	DRAWING NO.		EDC-405319-00-00		
		CHECKED :	TT. OHSAKO	2024. 10. 01	PART NO.		DF51BC-4S-2C		
		DESIGNED :	SN. MIWA	2024. 10. 01	CODE NO.		CL0543-5141-0-00		
		DRAWN :	SK. CHIBA	2024. 10. 01					