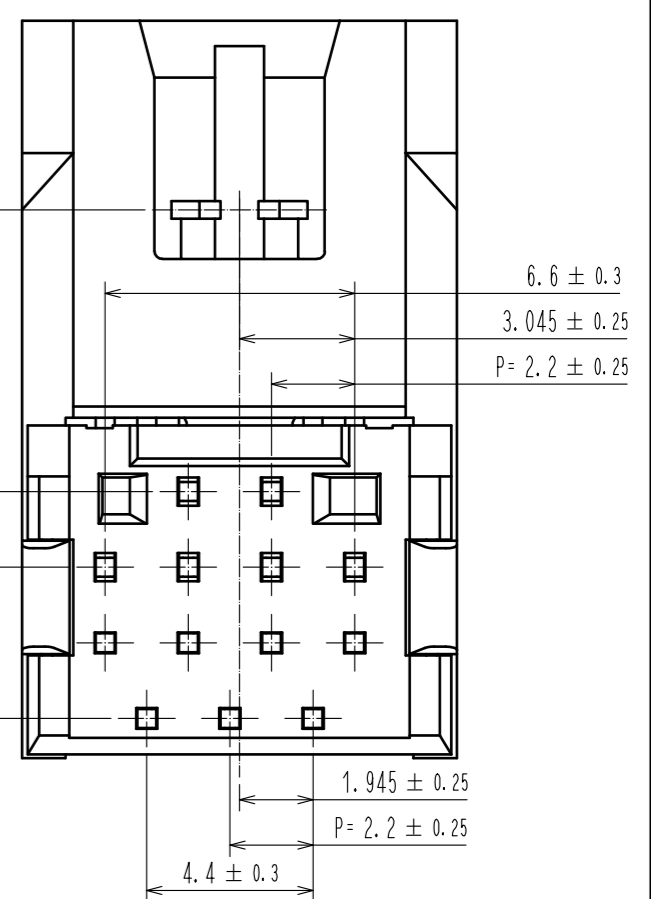
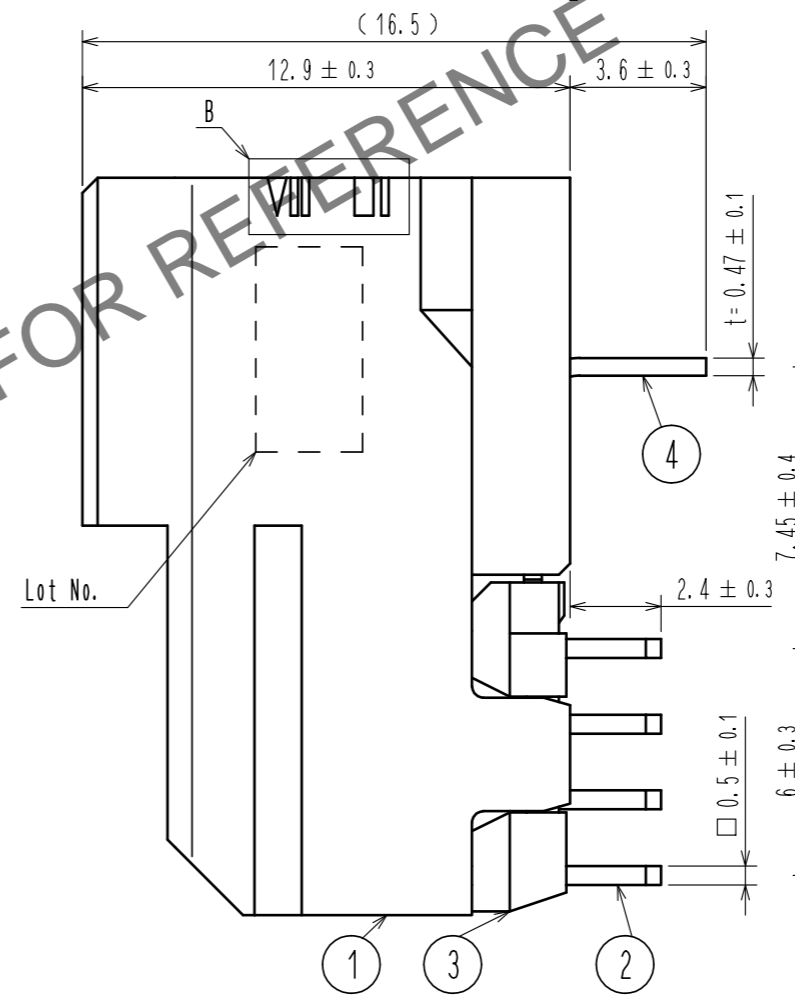
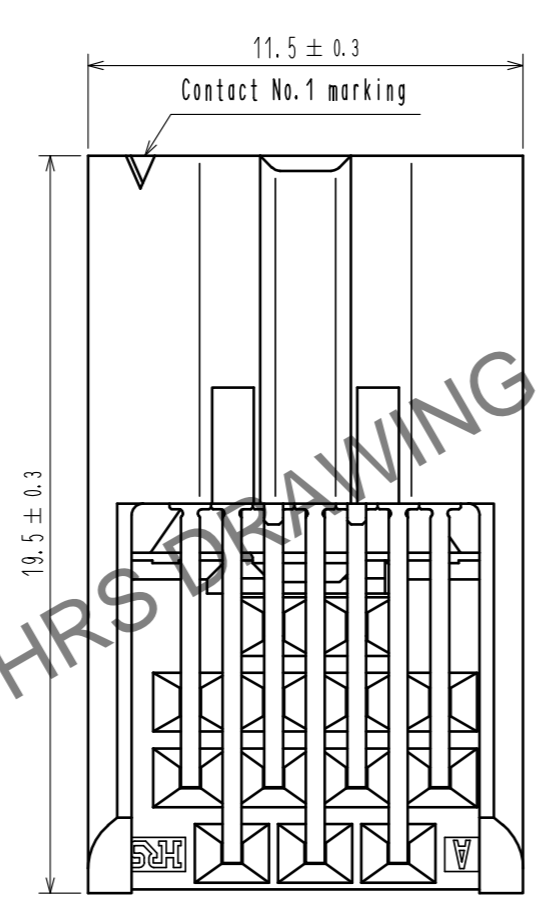
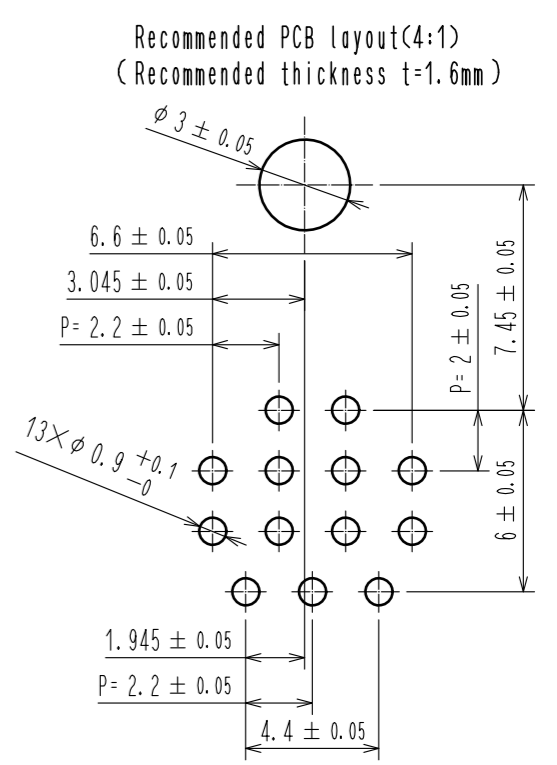
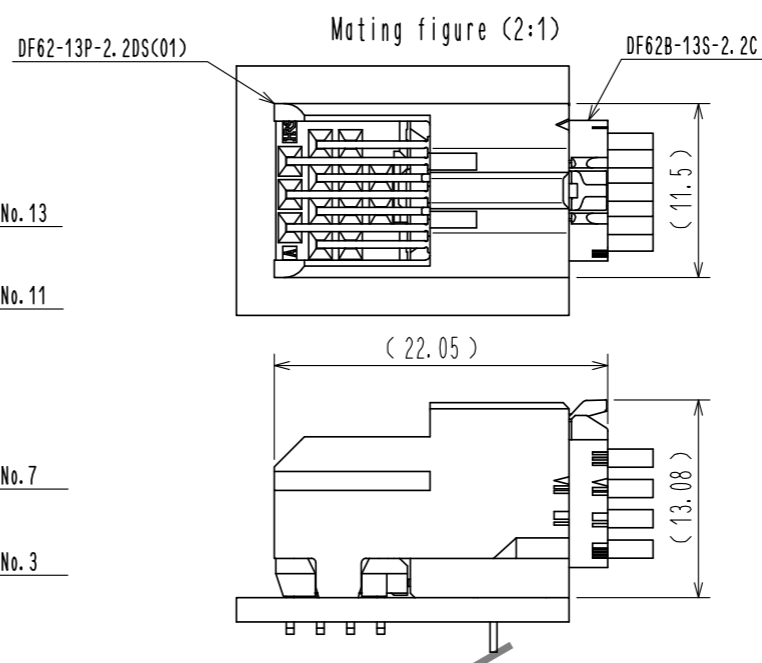
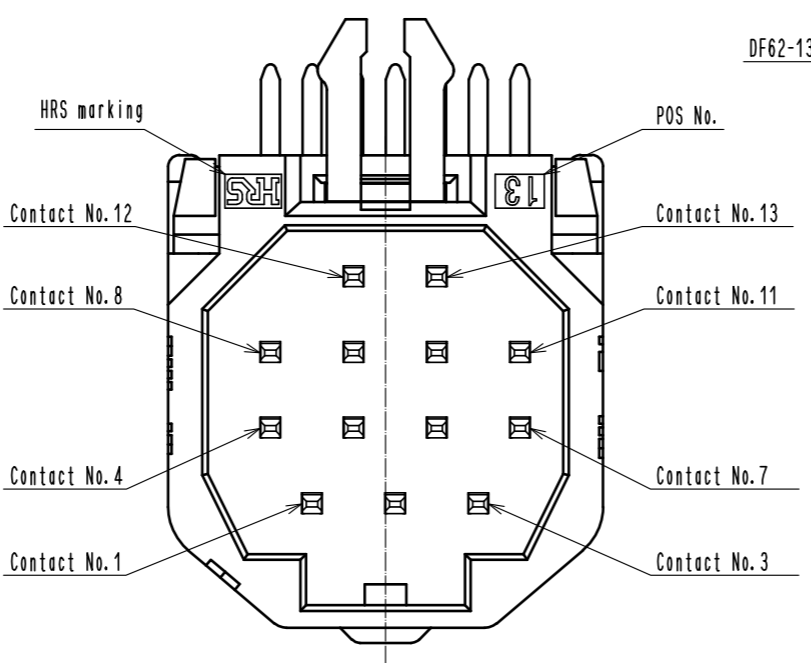
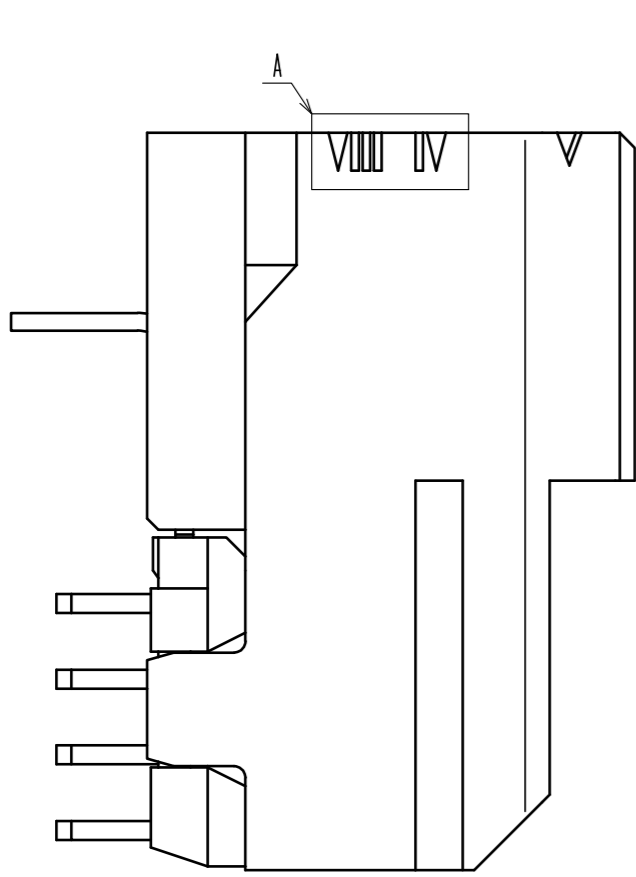
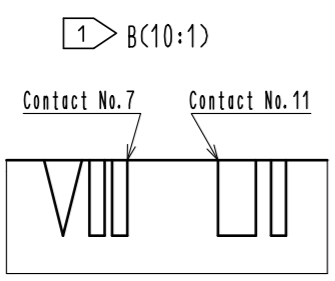
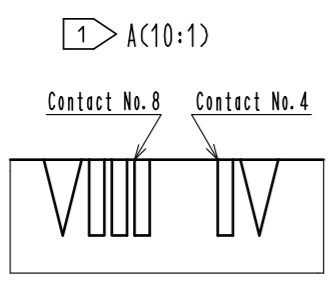


Mar.1.2025 Copyright 2025 HIROSE ELECTRIC CO., LTD. All Rights Reserved.
 In case of consideration for using Automotive equipment / device which demand high reliability, kindly contact our sales window correspondents.



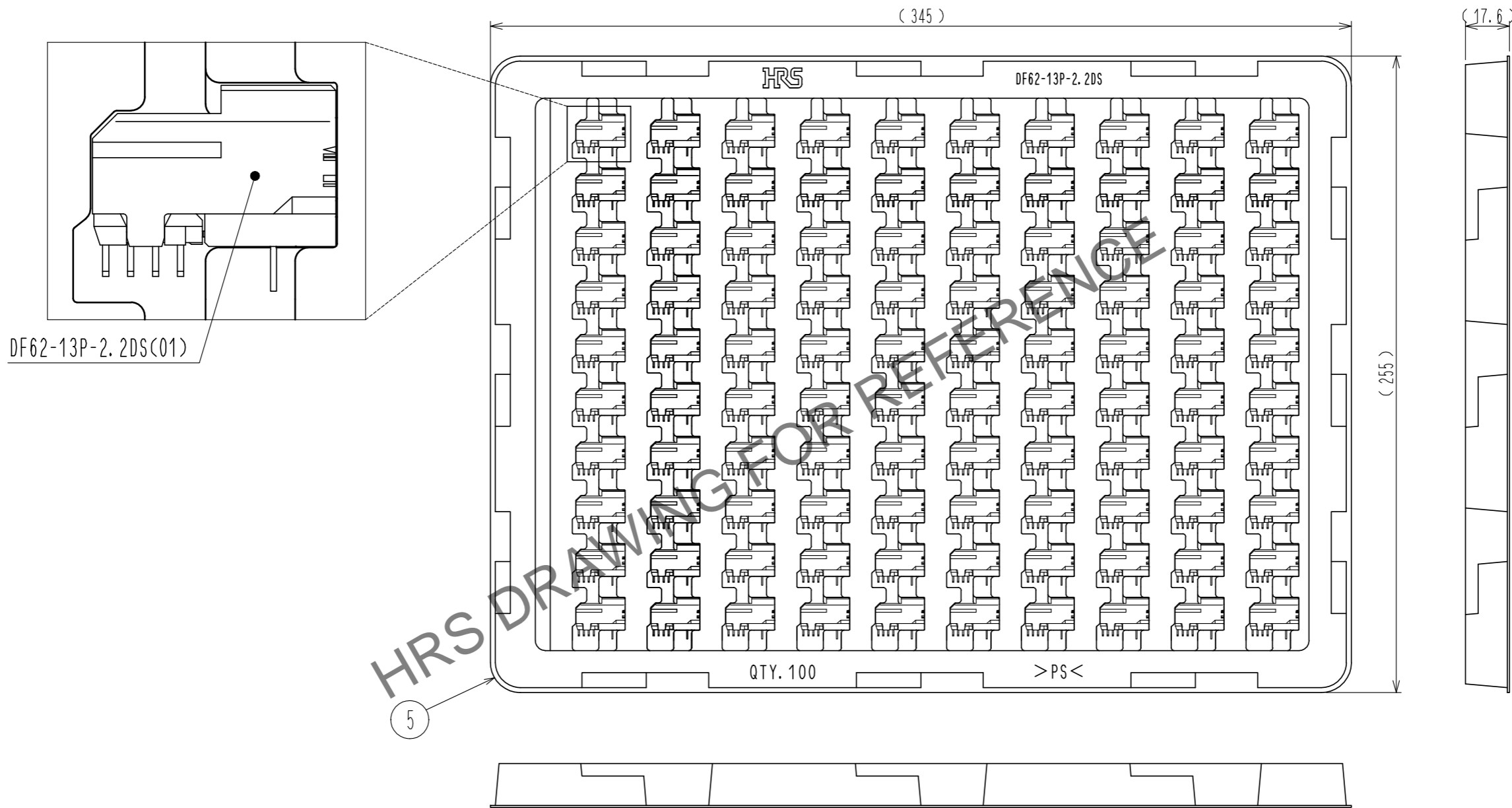
Note 1 Markings at the indicated positions are Contact No. marking. And shapes are as shown.
 2. The dimensions in parenthesis are for reference.
 3. Per tray : 100 pieces. The minimum order quantity is by the one tray amount " 100 pieces".
 4. UL (File No. E52653)
 C-UL (File No. E52653)



2	Copper alloy	Contact Area: Gold Plating 0.2µm min. Lead Area: Tin Plating 1µm min. Under Plating: Nickel Plating 0.5µm min.	5	PS	Tray: White		
1	PBT	UL94V-0(Black)	4	Brass	Tin Plating 1µm min.		
			3	PBT	UL94V-0(Black)		
NO.	MATERIAL	FINISH . REMARKS	NO.	MATERIAL	FINISH . REMARKS		
UNITS mm		SCALE 5 : 1	COUNT	DESCRIPTION OF REVISIONS	DESIGNED	CHECKED	DATE
HRS HIROSE ELECTRIC CO., LTD.		APPROVED : SJ. OKAMURA 20241011	DRAWING NO. EDC-362873-01-00				
		CHECKED : SZ. ONO 20241011	PART NO. DF62-13P-2.2DS(C01)				
		DESIGNED : RI. GENDA 20241010	CODE NO. CL0544-0581-0-01				
		DRAWN : RI. GENDA 20241010					

Mar.1.2025 Copyright 2025 HIROSE ELECTRIC CO., LTD. All Rights Reserved.
In case of consideration for using Automotive equipment / device which demand high reliability, kindly contact our sales window correspondents.

Drawing for packing (Free)



HRS	DRAWING NO.	EDC-362873-01-00
	PART NO.	DF62-13P-2.2DS(01)
	CODE NO.	CL0544-0581-0-01

2/2