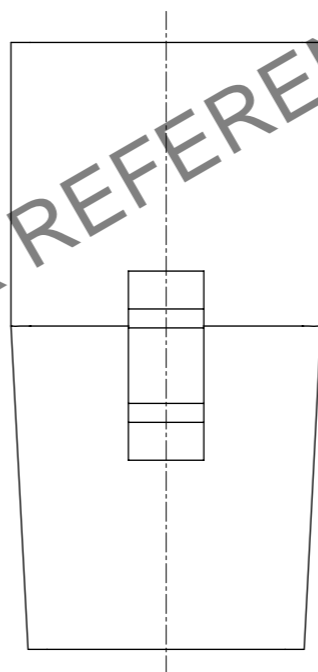
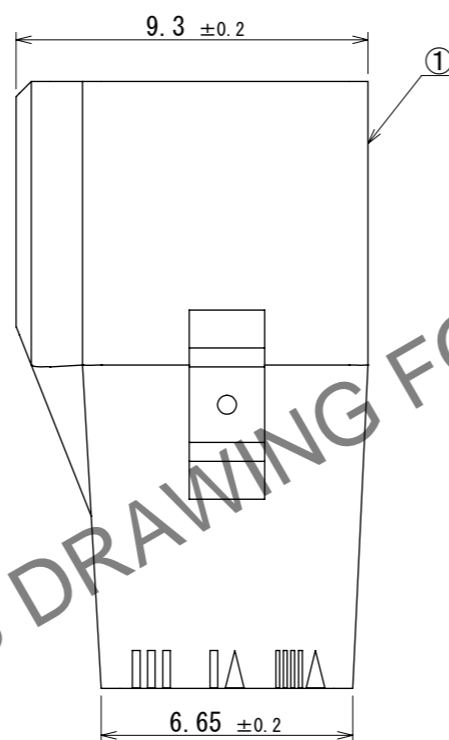
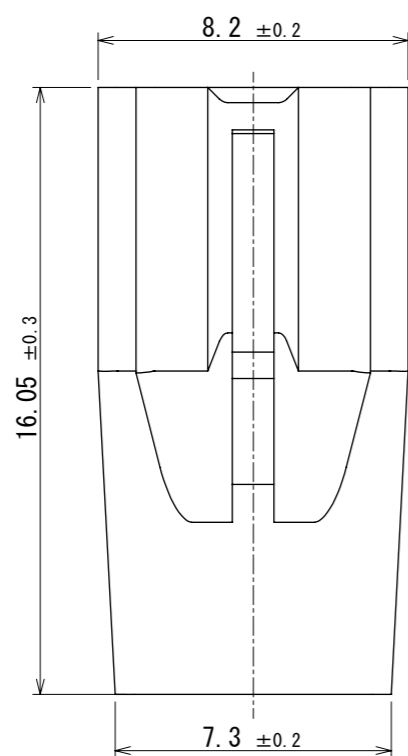
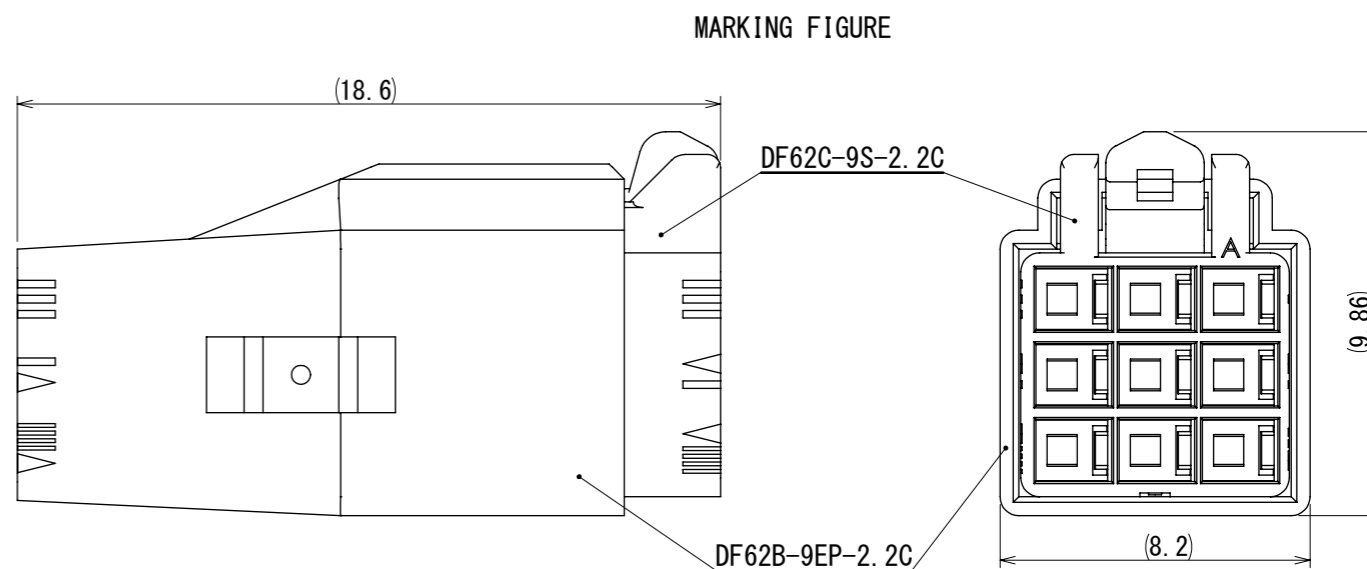
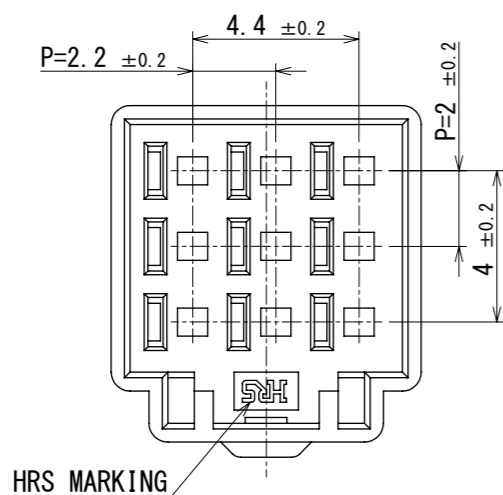
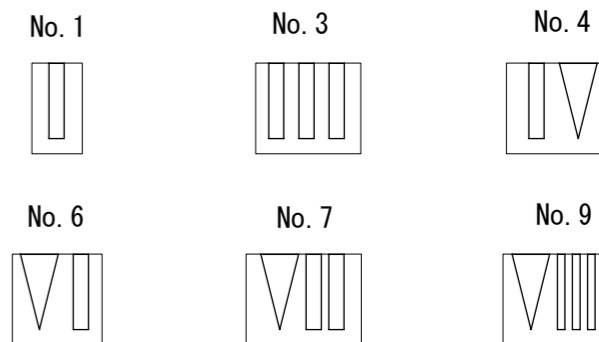


Mar.1.2025 Copyright 2025 HIROSE ELECTRIC CO., LTD. All Rights Reserved.  
In case of consideration for using Automotive equipment / device which demand high reliability, kindly contact our sales window correspondents.

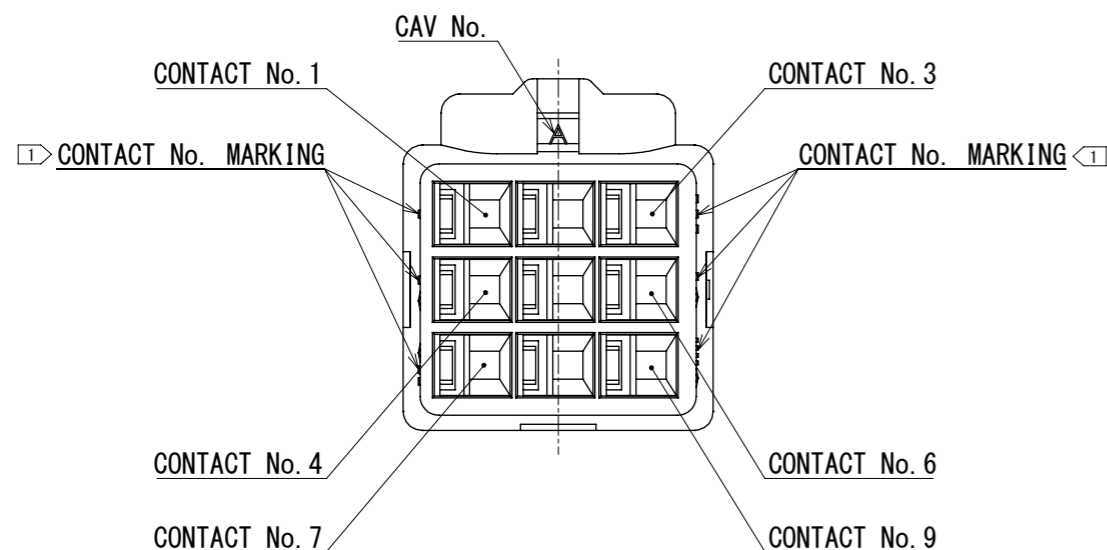


◇ FIGURE-1 CONTACT No. MARKING (10:1)



HRS DRAWING FOR REFERENCE

- 注 ① MARKING AT THE INDICATED POSITIONS ARE CONTACT No. MARKING. AND SHAPES ARE SHOWN IN FIGURE-1.
- PER PACK : 100 PIECES.
  - THE DIMENSIONS IN PARENTHESIS ARE FOR REFERENCE.
  - PLEASE REFER TO THE TECHNICAL SPECIFICATION (ATAP-H0849-00) FOR THE PACKING TYPE.
  - PLEASE REFER TO THE TECHNICAL SPECIFICATION (ETAD-H0599-00, ETAD-H0593-00) FOR HANDLING.
  - UL (FILE No. E52653)、C-UL (FILE No. E52653) AUTHORIZATION ARTICLE.



NO.		MATERIAL		FINISH . REMARKS		NO.		MATERIAL		FINISH . REMARKS			
						1		PBT		UL94V-0 (BLACK)			
UNITS mm		SCALE 5:1		COUNT		DESCRIPTION OF REVISIONS		DESIGNED		CHECKED		DATE	
HRS		HIROSE ELECTRIC CO., LTD.		APPROVED : SJ. OKAMURA		2024. 08. 14		DRAWING NO.		EDC-406409-00-00			
				CHECKED : SZ. ONO		2024. 08. 14		PART NO.		DF62B-9EP-2.2C			
				DESIGNED : RI. GENDA		2024. 08. 14		CODE NO.		CL0544-0623-0-00			
				DRAWN : RI. GENDA		2024. 08. 14						1/1	