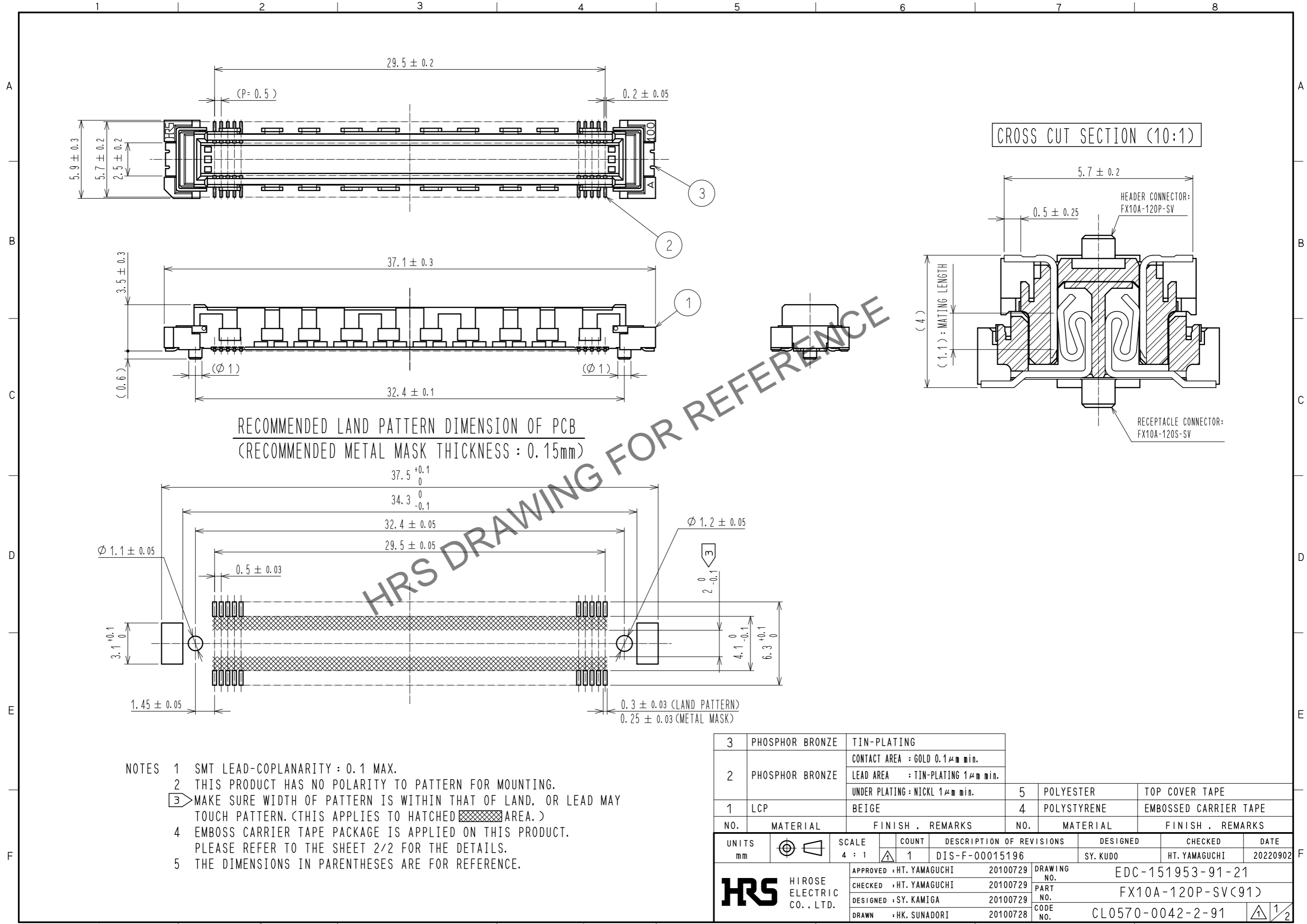


Nov.1.2024 Copyright 2024 HIROSE ELECTRIC CO., LTD. All Rights Reserved.
In case of consideration for using Automotive equipment / device which demand high reliability, kindly contact our sales window correspondents.



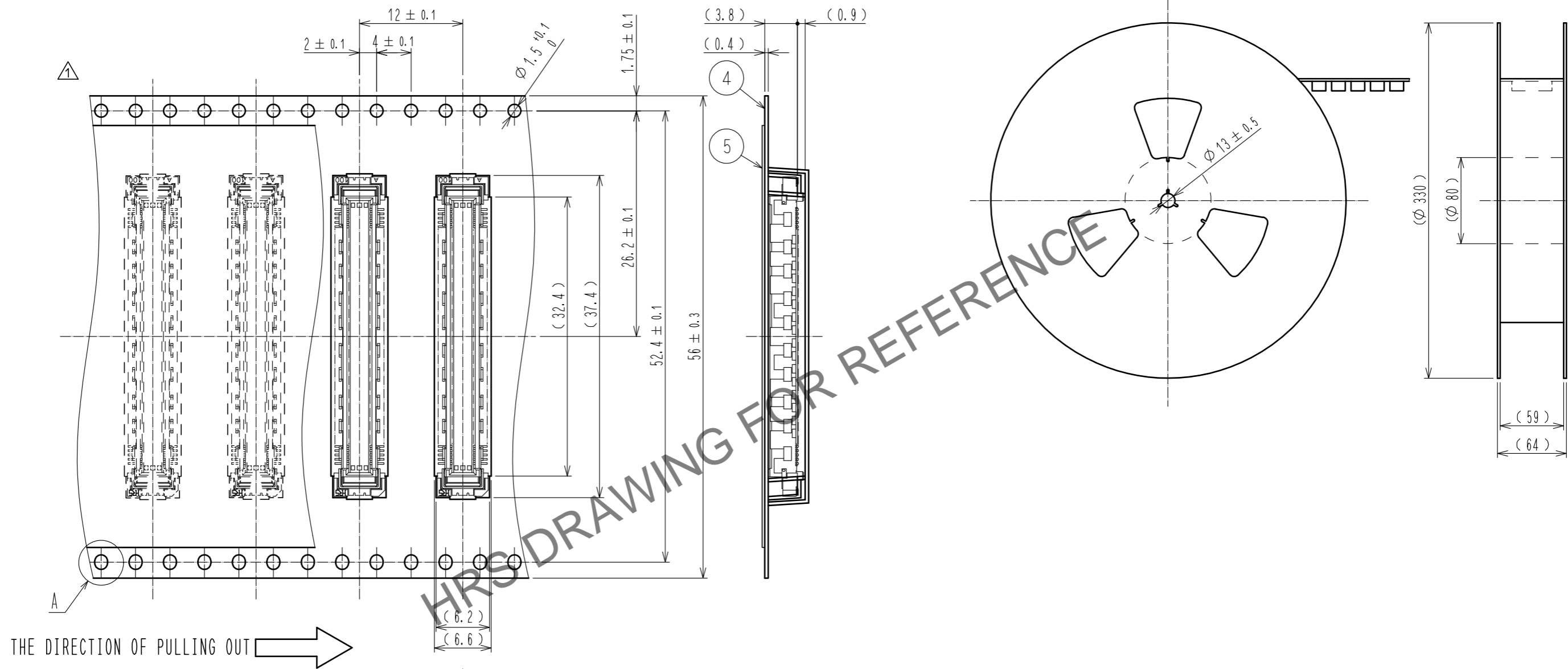
- NOTES
- 1 SMT LEAD-COPLANARITY : 0.1 MAX.
 - 2 THIS PRODUCT HAS NO POLARITY TO PATTERN FOR MOUNTING.
 - 3 MAKE SURE WIDTH OF PATTERN IS WITHIN THAT OF LAND, OR LEAD MAY TOUCH PATTERN. (THIS APPLIES TO HATCHED AREA.)
 - 4 EMBOSS CARRIER TAPE PACKAGE IS APPLIED ON THIS PRODUCT. PLEASE REFER TO THE SHEET 2/2 FOR THE DETAILS.
 - 5 THE DIMENSIONS IN PARENTHESES ARE FOR REFERENCE.

3	PHOSPHOR BRONZE	TIN-PLATING			
		CONTACT AREA : GOLD 0.1μm min.			
2	PHOSPHOR BRONZE	LEAD AREA : TIN-PLATING 1μm min.			
		UNDER PLATING : NICKL 1μm min.	5	POLYESTER	TOP COVER TAPE
1	LCP	BEIGE	4	POLYSTYRENE	EMBOSSED CARRIER TAPE
NO.	MATERIAL	FINISH . REMARKS	NO.	MATERIAL	FINISH . REMARKS

Nov.1.2024 Copyright 2024 HIROSE ELECTRIC CO., LTD. All Rights Reserved.
In case of consideration for using Automotive equipment / device which demand high reliability, kindly contact our sales window correspondents.

DRAWING FOR PACKING(2:1)

REELED DIMENSION (Free)



THE DIRECTION OF PULLING OUT

A(5:1)

- NOTES 6 1 REEL : 1000 CONNECTORS.
- 7 MINIMUM 10 COMPARTMENTS FROM BOTH REEL ENDS REMAIN EMPTY.
- 8 THIS PRODUCT HAS NO POLARITY TO TAPE AND REEL PACKAGING.
- 9 THE DIMENSIONS IN PARENTHESES ARE FOR REFERENCE.

HRS	DRAWING NO.	EDC-151953-91-21
	PART NO.	FX10A-120P-SV(91)
	CODE NO.	CL0570-0042-2-91
		2/2