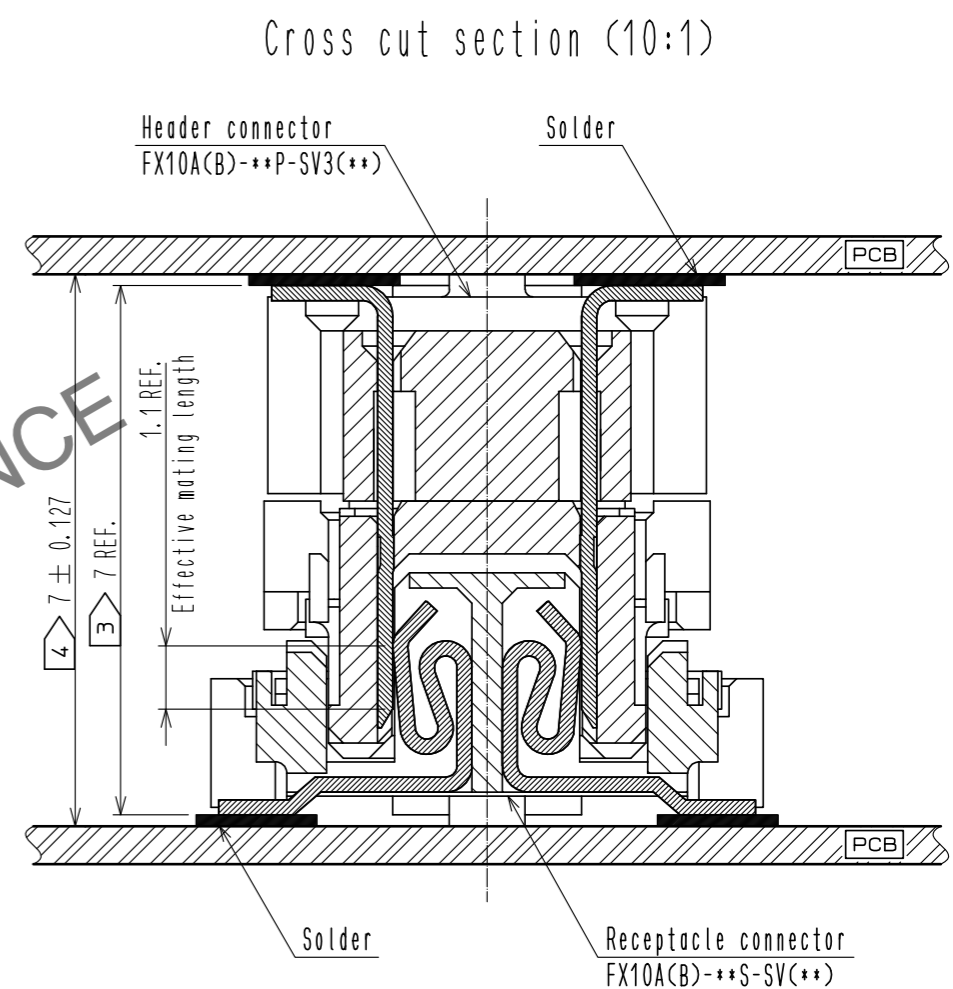
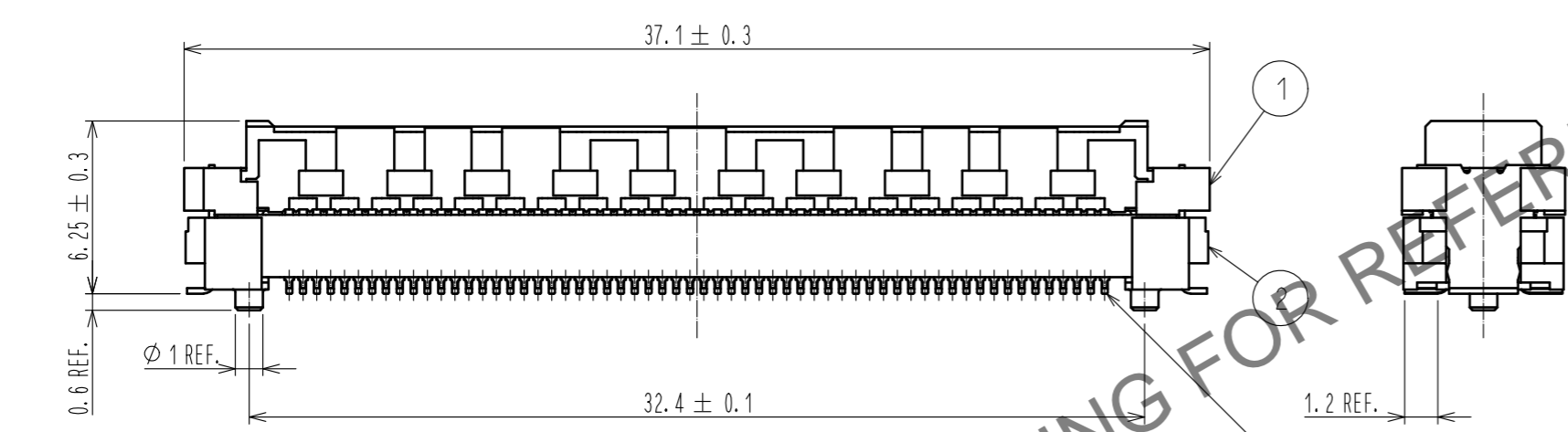
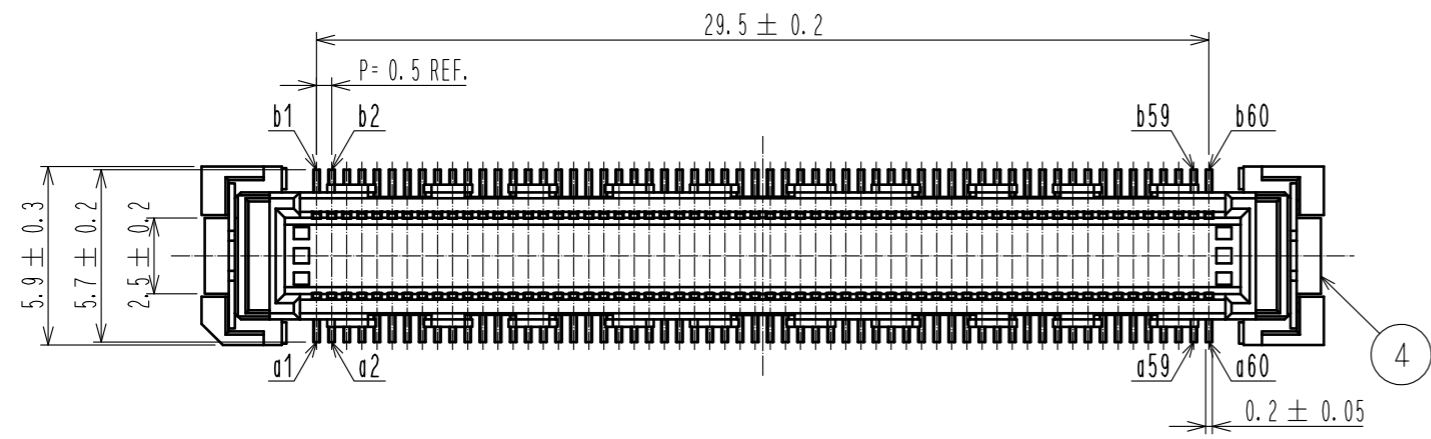
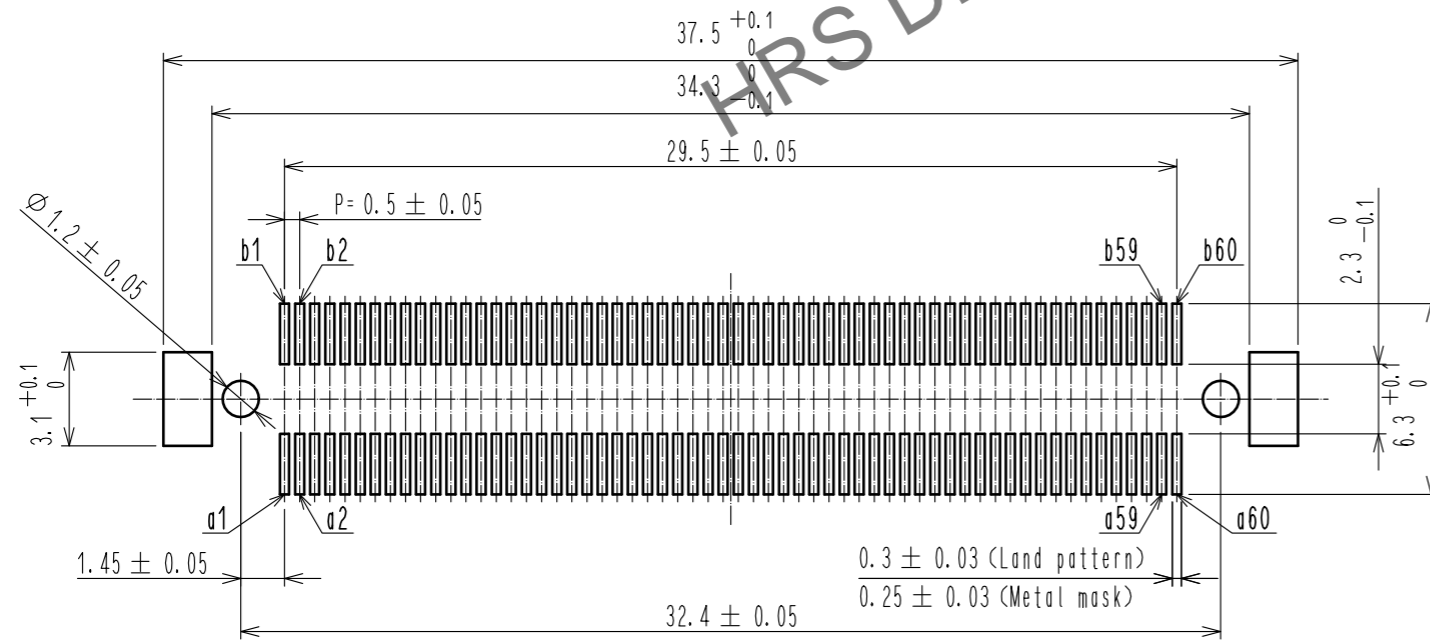


Jul.1.2024 Copyright 2024 HIROSE ELECTRIC CO., LTD. All Rights Reserved.  
 In case of consideration for using Automotive equipment / device which demand high reliability, kindly contact our sales window correspondents.



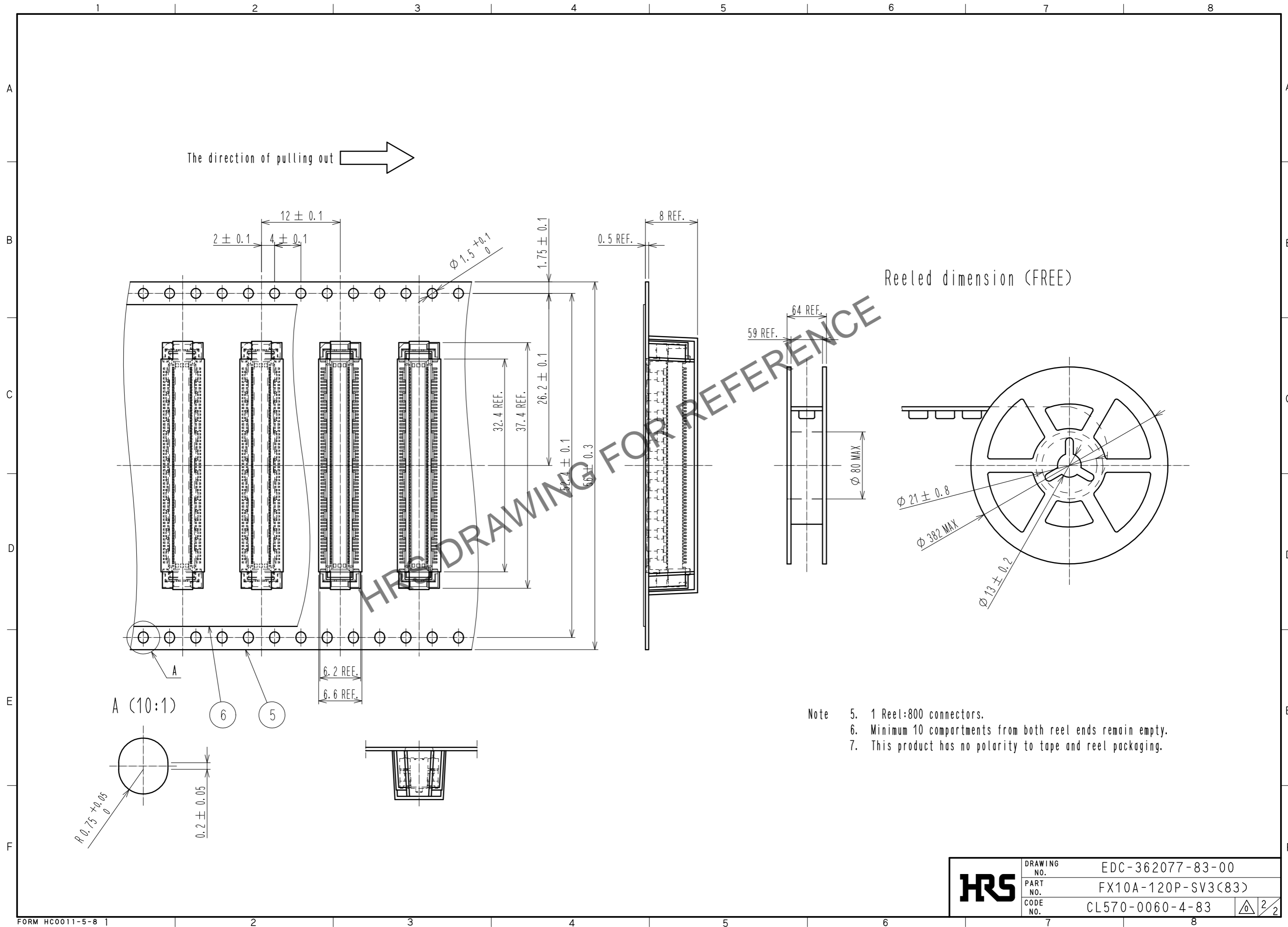
Recommended land pattern dimension of PCB  
 (Recommended metal mask thickness: 0.15mm)



- Note
1. SMT Lead-coplanarity: 0.1 MAX.
  2. This product has no polarity to pattern for mounting.
  - 3 Stacking height from lead to lead.
  - 4 Board distance

3	Copper array	Contact: Gold Plating 0.76 μm min Lead : Gold Plating 0.03 μm min Under : Nickel Plating 1.3 μm min	6	PET	Top cover tape			
2	LCP	Beige. UL94V-0	5	PS	Embossed carrier tape			
1	LCP	Beige. UL94V-0	4	Copper array	Lead : Gold Plating 0.03 μm min Under : Nickel Plating 1.3 μm min			
NO.	MATERIAL	FINISH . REMARKS	NO.	MATERIAL	FINISH . REMARKS			
UNITS	mm	SCALE	4:1	COUNT	DESCRIPTION OF REVISIONS	DESIGNED	CHECKED	DATE
<b>HRS</b> HIROSE ELECTRIC CO., LTD.		APPROVED : NH. NAKATA	17.01.24	DRAWING NO. EDC-362077-83-00				
		CHECKED : HT. YAMAGUCHI	17.01.24	PART NO. FX10A-120P-SV3(83)				
		DESIGNED : MT. ITANO	17.01.24	CODE NO. CL570-0060-4-83				
		DRAWN : MT. ITANO	17.01.24					

Jul.1.2024 Copyright 2024 HIROSE ELECTRIC CO., LTD. All Rights Reserved.  
 In case of consideration for using Automotive equipment / device which demand high reliability, kindly contact our sales window correspondents.



Reeled dimension (FREE)

- Note
5. 1 Reel:800 connectors.
  6. Minimum 10 compartments from both reel ends remain empty.
  7. This product has no polarity to tape and reel packaging.

<b>HRS</b>	DRAWING NO.	EDC-362077-83-00
	PART NO.	FX10A-120P-SV3(83)
	CODE NO.	CL570-0060-4-83
		2/2