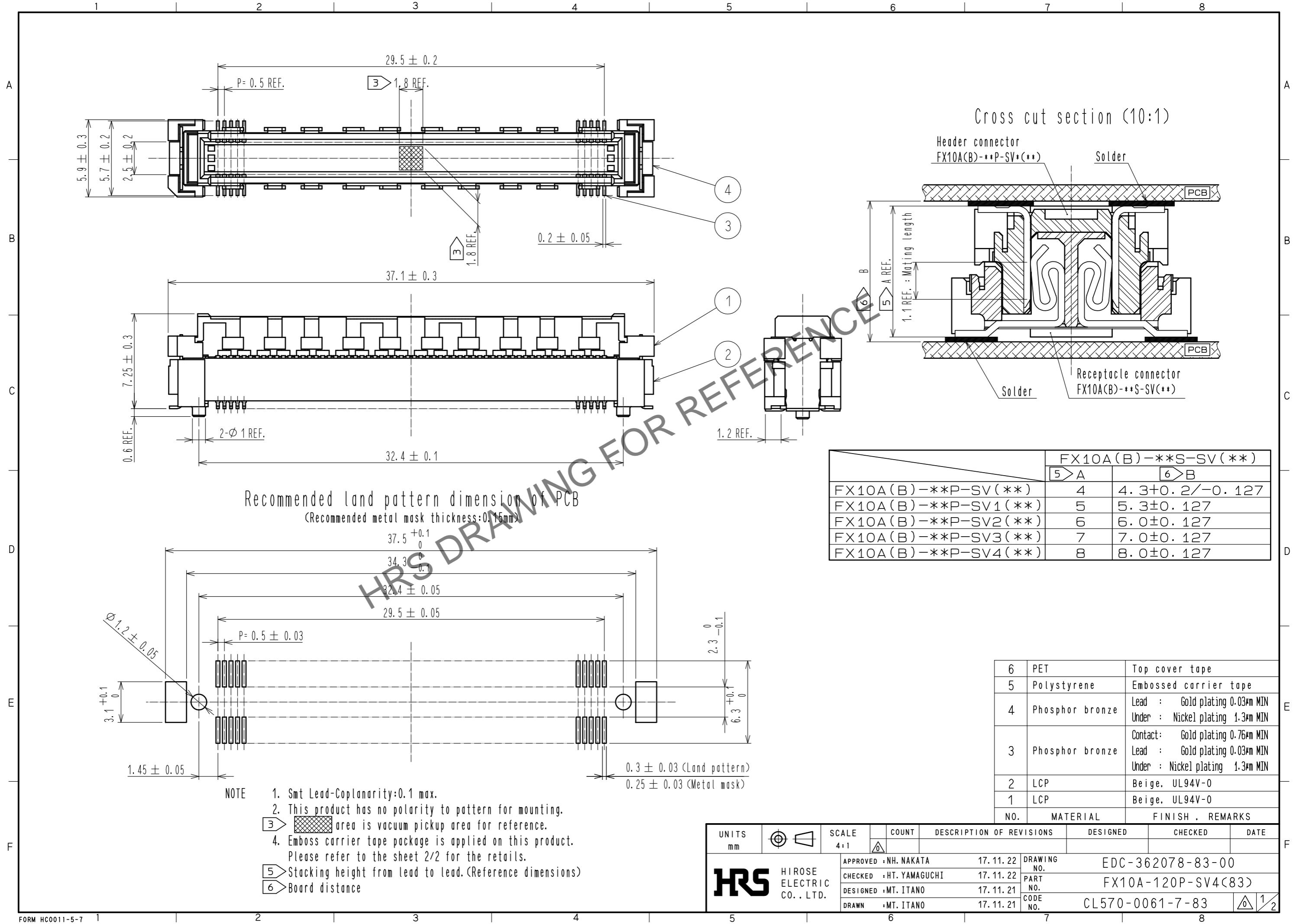


Jul.1.2024 Copyright 2024 HIROSE ELECTRIC CO., LTD. All Rights Reserved.
 In case of consideration for using Automotive equipment / device which demand high reliability, kindly contact our sales window correspondents.



Recommended land pattern dimension of PCB
 (Recommended metal mask thickness: 0.15mm)

	FX10A(B)-**S-SV(**)	
	5 > A	6 > B
FX10A(B)-**P-SV(**)	4	4.3+0.2/-0.127
FX10A(B)-**P-SV1(**)	5	5.3±0.127
FX10A(B)-**P-SV2(**)	6	6.0±0.127
FX10A(B)-**P-SV3(**)	7	7.0±0.127
FX10A(B)-**P-SV4(**)	8	8.0±0.127

NO.	MATERIAL	FINISH . REMARKS
6	PET	Top cover tape
5	Polystyrene	Embossed carrier tape
4	Phosphor bronze	Lead : Gold plating 0.03μm MIN Under : Nickel plating 1.3μm MIN
3	Phosphor bronze	Contact: Gold plating 0.76μm MIN Lead : Gold plating 0.03μm MIN Under : Nickel plating 1.3μm MIN
2	LCP	Beige. UL94V-0
1	LCP	Beige. UL94V-0

- NOTE
- Smt Lead-Coplanarity: 0.1 max.
 - This product has no polarity to pattern for mounting.
 - area is vacuum pickup area for reference.
 - Emboss carrier tape package is applied on this product. Please refer to the sheet 2/2 for the retails.
 - Stacking height from lead to lead. (Reference dimensions)
 - Board distance

UNITS: mm

SCALE: 4:1

COUNT:

DESCRIPTION OF REVISIONS

APPROVED	DESIGNED	CHECKED	DATE
NH. NAKATA	MT. ITANO	HT. YAMAGUCHI	17.11.22
HT. YAMAGUCHI	MT. ITANO	MT. ITANO	17.11.21
MT. ITANO	MT. ITANO	MT. ITANO	17.11.21

DRAWING NO. EDC-362078-83-00

PART NO. FX10A-120P-SV4(83)

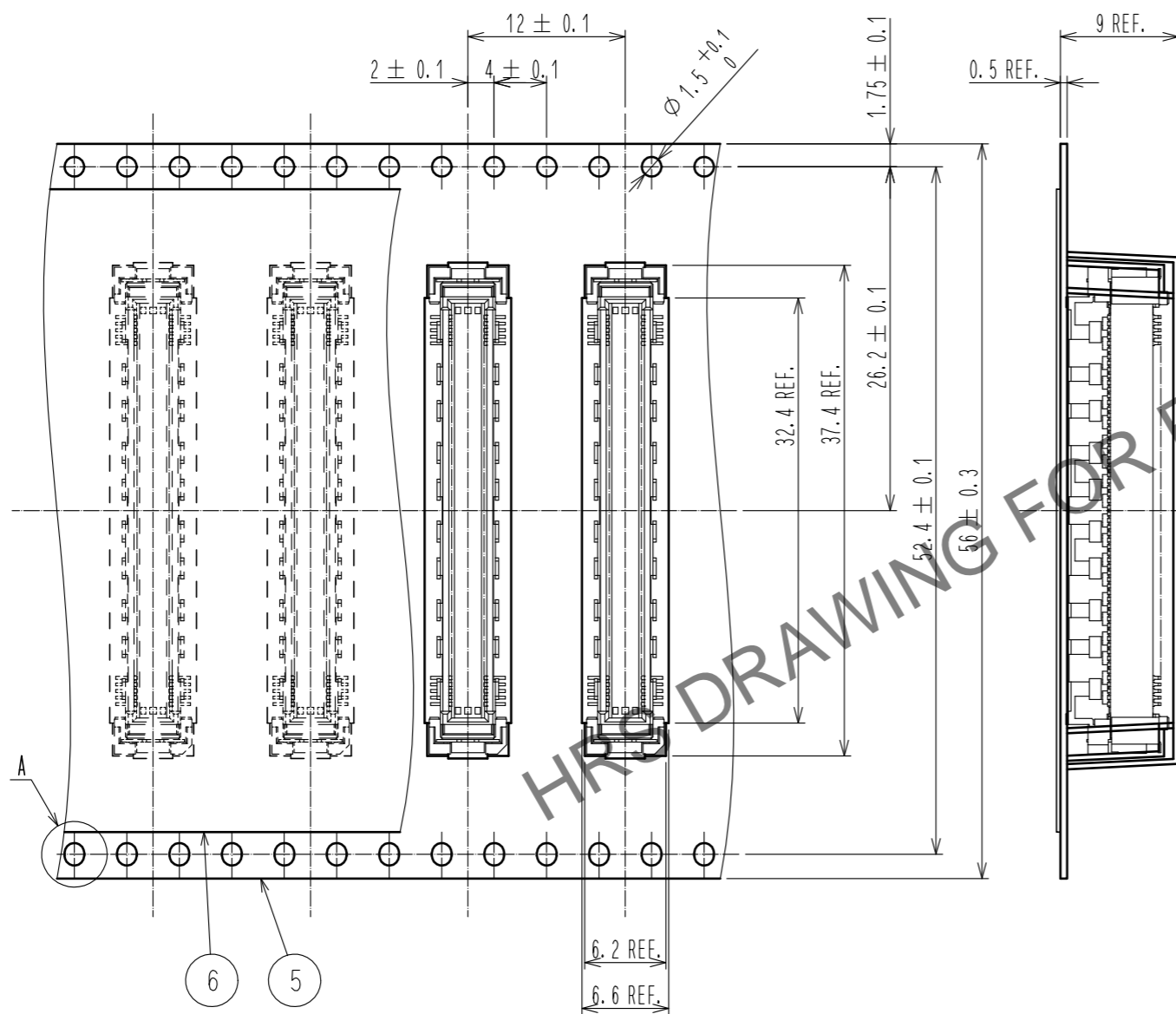
CODE NO. CL570-0061-7-83

DATE: 17.11.21

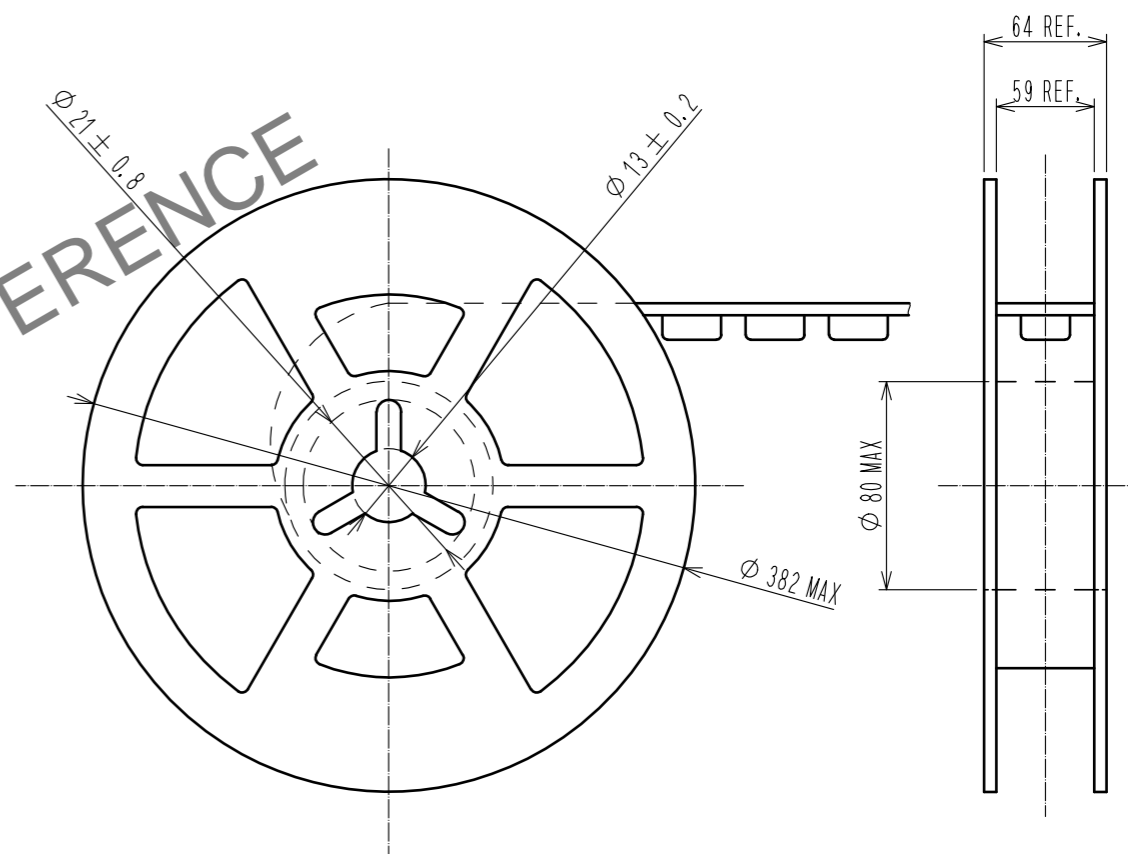
Jul.1.2024 Copyright 2024 HIROSE ELECTRIC CO., LTD. All Rights Reserved.
 In case of consideration for using Automotive equipment / device which demand high reliability, kindly contact our sales window correspondents.

Drawing for packing (2:1)
 (An example)

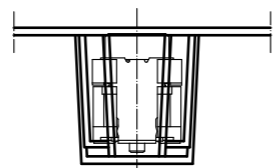
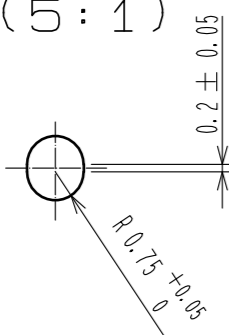
The direction of pulling out 




Reeled dimension (Free)



A (5:1)



- NOTE
- 7. 1 reel:700 connectors.
 - 8. minimum 10 compartments from both reel ends remain empty.
 - 9. This product has no polavity to tape and reel packaging.

HRS	DRAWING NO.	EDC-362078-83-00	 2/2
	PART NO.	FX10A-120P-SV4(83)	
	CODE NO.	CL570-0061-7-83	