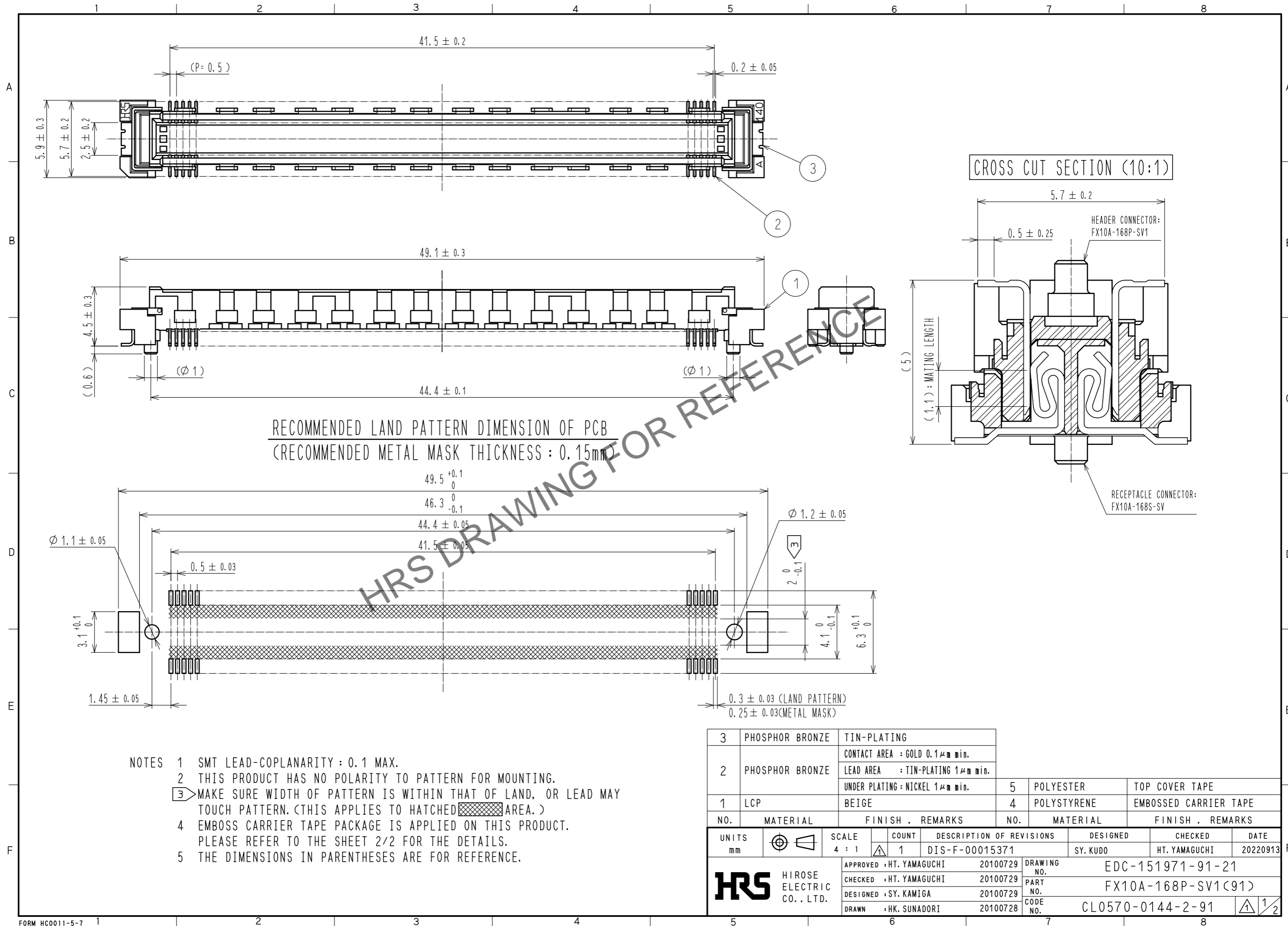


Apr.1.2026 Copyright 2026 HIROSE ELECTRIC CO., LTD. All Rights Reserved.
 In case of consideration for using Automotive equipment / device which demand high reliability, kindly contact our sales window correspondents.



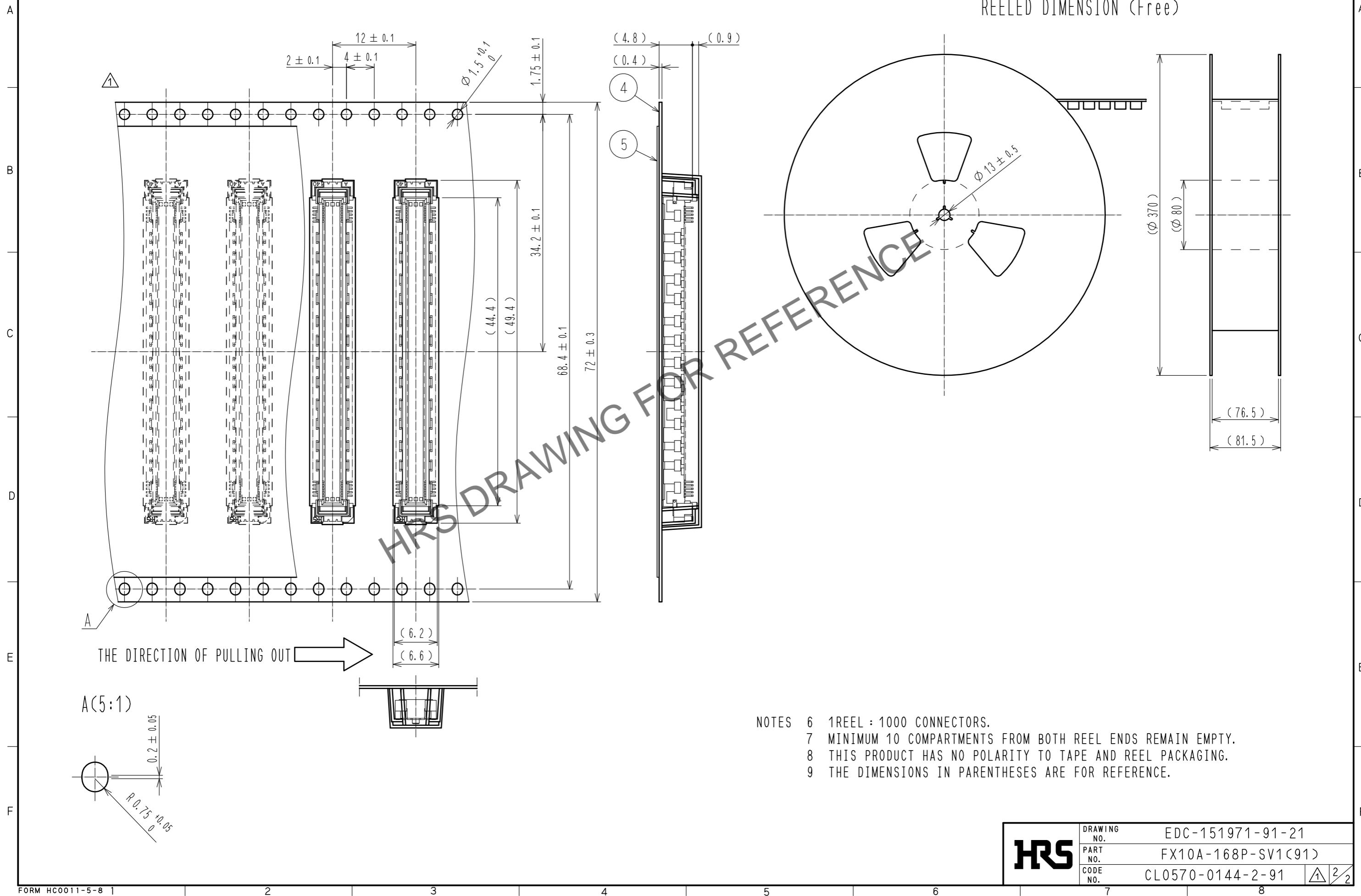
- NOTES
- 1 SMT LEAD-COPLANARITY : 0.1 MAX.
 - 2 THIS PRODUCT HAS NO POLARITY TO PATTERN FOR MOUNTING.
 - 3 MAKE SURE WIDTH OF PATTERN IS WITHIN THAT OF LAND, OR LEAD MAY TOUCH PATTERN. (THIS APPLIES TO HATCHED AREA.)
 - 4 EMBOSS CARRIER TAPE PACKAGE IS APPLIED ON THIS PRODUCT. PLEASE REFER TO THE SHEET 2/2 FOR THE DETAILS.
 - 5 THE DIMENSIONS IN PARENTHESES ARE FOR REFERENCE.

3	PHOSPHOR BRONZE	TIN-PLATING			
		CONTACT AREA : GOLD 0.1 μ m min.			
2	PHOSPHOR BRONZE	LEAD AREA : TIN-PLATING 1 μ m min.			
		UNDER PLATING : NICKEL 1 μ m min.	5	POLYESTER	TOP COVER TAPE
1	LCP	BEIGE	4	POLYSTYRENE	EMBOSSED CARRIER TAPE
NO.	MATERIAL	FINISH . REMARKS	NO.	MATERIAL	FINISH . REMARKS
UNITS	ϕ ∇	SCALE	COUNT	DESCRIPTION OF REVISIONS	
mm		4 : 1	1	DIS-F-00015371	
APPROVED : HT. YAMAGUCHI			20100729	DESIGNED	SY. KUDO
CHECKED : HT. YAMAGUCHI			20100729	CHECKED	HT. YAMAGUCHI
DESIGNED : SY. KAMIGA			20100729	DATE	20220913
DRAWN : HK. SUNADORI			20100728	DRAWING NO.	EDC-151971-91-21
HRS HIROSE ELECTRIC CO., LTD.				PART NO.	FX10A-168P-SV1(91)
				CODE NO.	CL0570-0144-2-91

Apr.1.2026 Copyright 2026 HIROSE ELECTRIC CO., LTD. All Rights Reserved.
 In case of consideration for using Automotive equipment / device which demand high reliability, kindly contact our sales window correspondents.

DRAWING FOR PACKING(2:1)

REELED DIMENSION (Free)



- NOTES
- 6 1 REEL : 1000 CONNECTORS.
 - 7 MINIMUM 10 COMPARTMENTS FROM BOTH REEL ENDS REMAIN EMPTY.
 - 8 THIS PRODUCT HAS NO POLARITY TO TAPE AND REEL PACKAGING.
 - 9 THE DIMENSIONS IN PARENTHESES ARE FOR REFERENCE.

HRS	DRAWING NO.	EDC-151971-91-21
	PART NO.	FX10A-168P-SV1(91)
	CODE NO.	CL0570-0144-2-91
		2/2