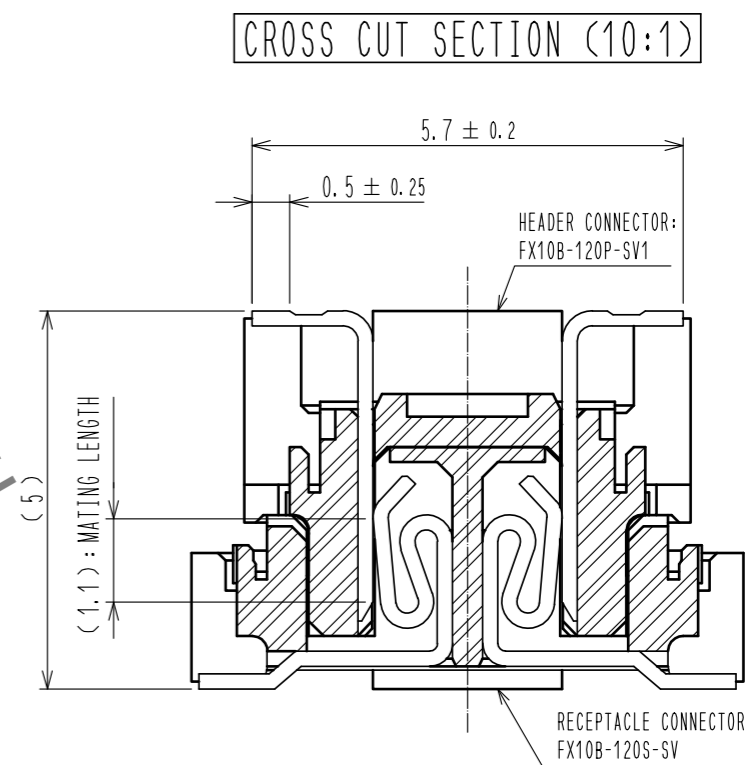
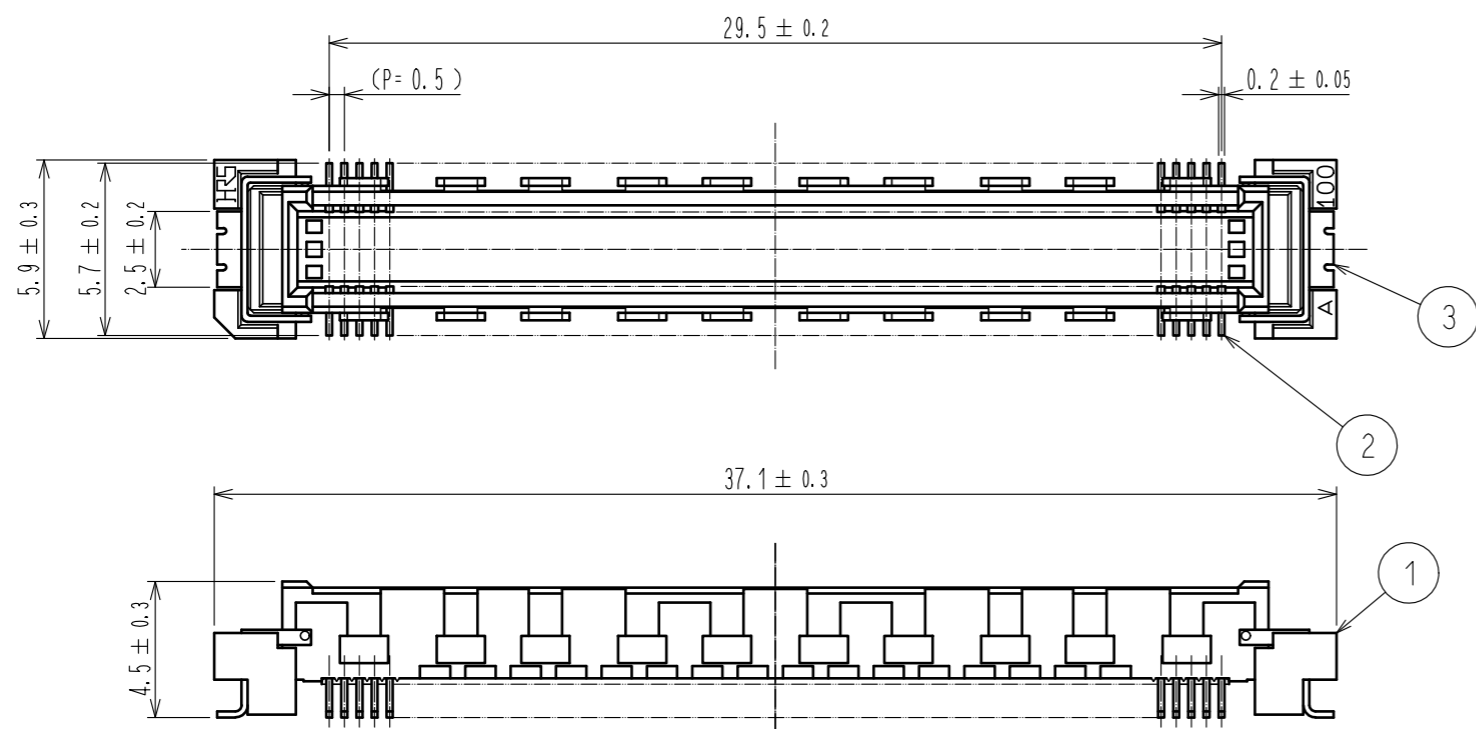
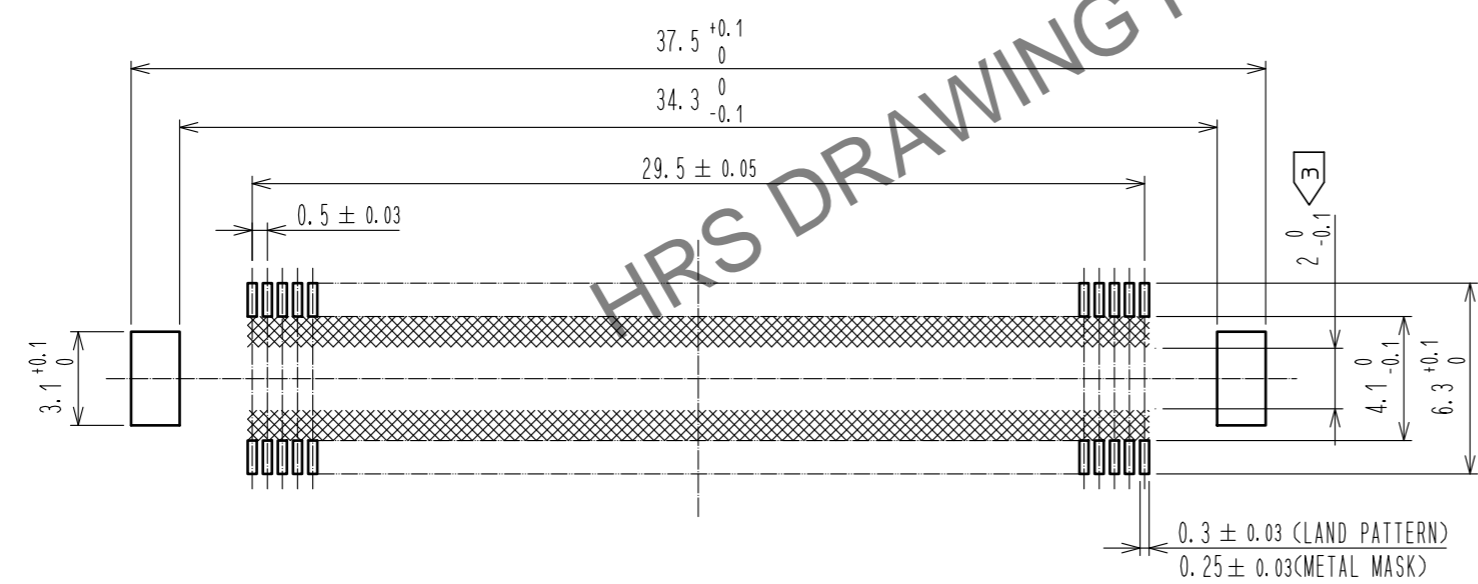


Nov.1.2024 Copyright 2024 HIROSE ELECTRIC CO., LTD. All Rights Reserved.  
In case of consideration for using Automotive equipment / device which demand high reliability, kindly contact our sales window correspondents.



RECOMMENDED LAND PATTERN DIMENSION OF PCB  
(RECOMMENDED METAL MASK THICKNESS : 0.15mm)



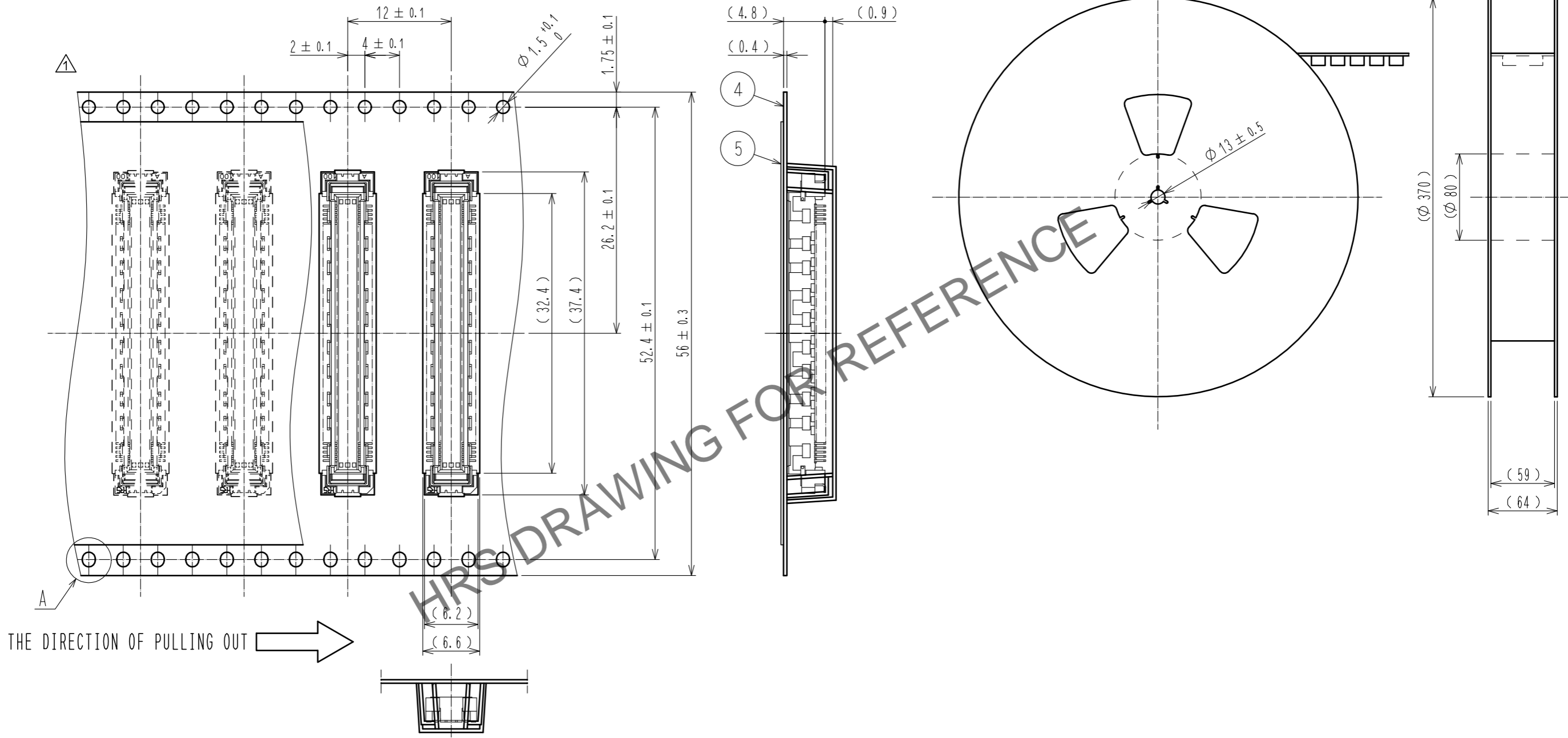
- NOTES
- SMT LEAD-COPLANARITY : 0.1 MAX.
  - THIS PRODUCT HAS NO POLARITY TO PATTERN FOR MOUNTING.
  - MAKE SURE WIDTH OF PATTERN IS WITHIN THAT OF LAND, OR LEAD MAY TOUCH PATTERN. (THIS APPLIES TO HATCHED AREA.)
  - EMBOSS CARRIER TAPE PACKAGE IS APPLIED ON THIS PRODUCT. PLEASE REFER TO THE SHEET 2/2 FOR THE DETAILS.
  - THE DIMENSIONS IN PARENTHESES ARE FOR REFERENCE.

3	PHOSPHOR BRONZE	TIN-PLATING					
2	PHOSPHOR BRONZE	CONTACT AREA : GOLD 0.1μm min.					
		LEAD AREA : TIN-PLATING 1μm min.					
1	LCP	UNDER PLATING : NICKEL 1μm min.	5	POLYESTER	TOP COVER TAPE		
		BEIGE	4	POLYSTYRENE	EMBOSSED CARRIER TAPE		
NO.	MATERIAL	FINISH . REMARKS	NO.	MATERIAL	FINISH . REMARKS		
UNITS mm		SCALE 4 : 1	COUNT 1	DESCRIPTION OF REVISIONS DIS-F-00015404	DESIGNED SY. KUDO	CHECKED HT. YAMAGUCHI	DATE 20220916
<b>HRS</b> HIROSE ELECTRIC CO., LTD.		APPROVED : HT. YAMAGUCHI	20100729	DRAWING NO. EDC-151973-91-21			
		CHECKED : HT. YAMAGUCHI	20100729	PART NO. FX10B-120P-SV1(91)			
		DESIGNED : SY. KAMIGA	20100729	CODE NO. CL0570-0152-0-91			
		DRAWN : HK. SUNADORI	20100728				

Nov.1.2024 Copyright 2024 HIROSE ELECTRIC CO., LTD. All Rights Reserved.  
 In case of consideration for using Automotive equipment / device which demand high reliability, kindly contact our sales window correspondents.

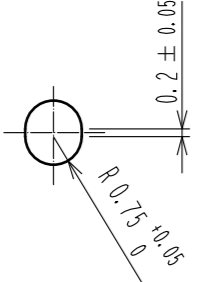
DRAWING FOR PACKING(2:1)

REELED DIMENSION (Free)



THE DIRECTION OF PULLING OUT

A(5:1)



- NOTES
- 6 1 REEL : 1000 CONNECTORS.
  - 7 MINIMUM 10 COMPARTMENTS FROM BOTH REEL ENDS REMAIN EMPTY.
  - 8 THIS PRODUCT HAS NO POLARITY TO TAPE AND REEL PACKAGING.
  - 9 THE DIMENSIONS IN PARENTHESES ARE FOR REFERENCE.

<b>HRS</b>	DRAWING NO.	EDC-151973-91-21	2/2
	PART NO.	FX10B-120P-SV1(91)	
	CODE NO.	CL0570-0152-0-91	