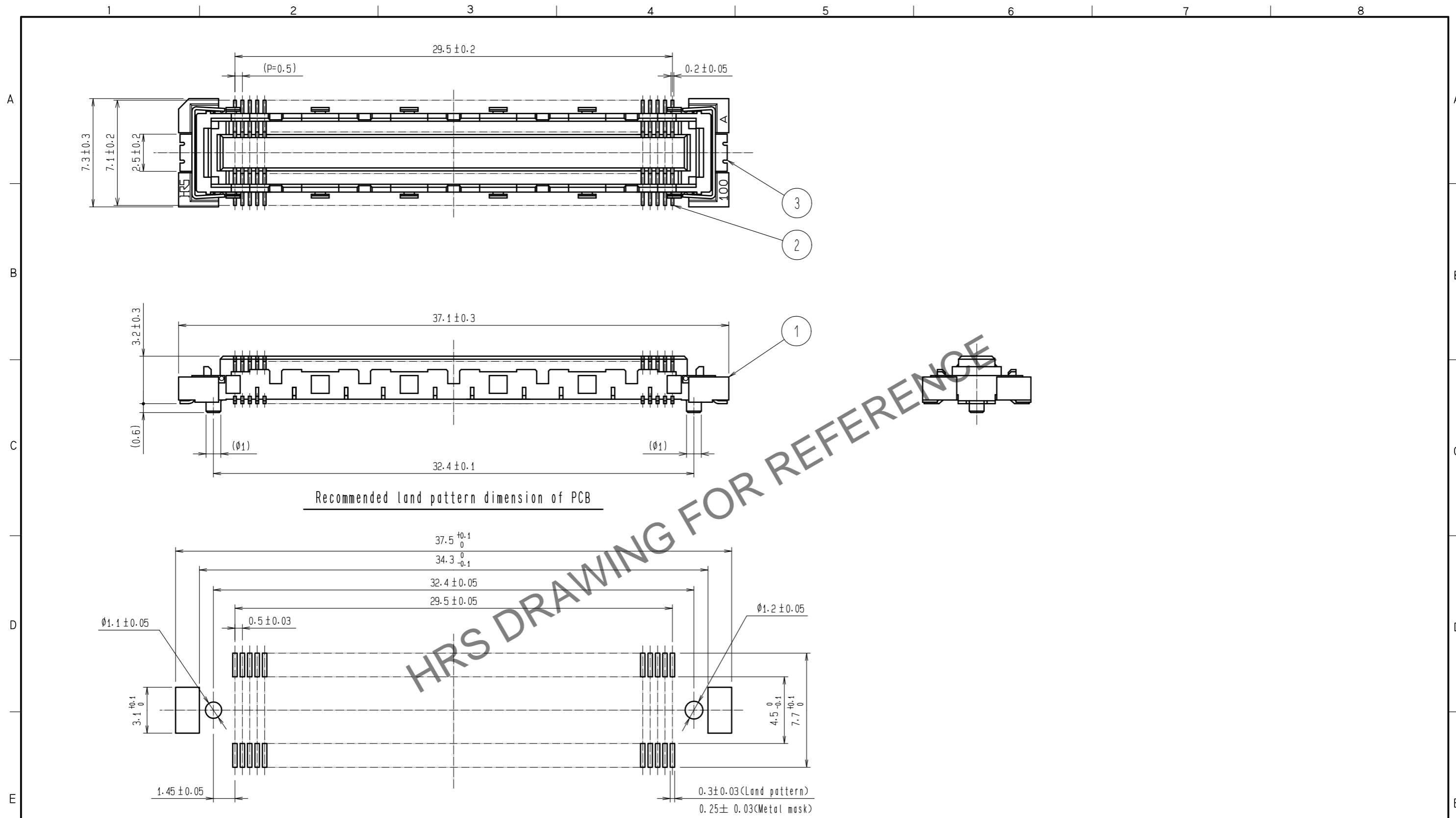


Oct.1.2024 Copyright 2024 HIROSE ELECTRIC CO., LTD. All Rights Reserved.
In case of consideration for using Automotive equipment / device which demand high reliability, kindly contact our sales window correspondents.

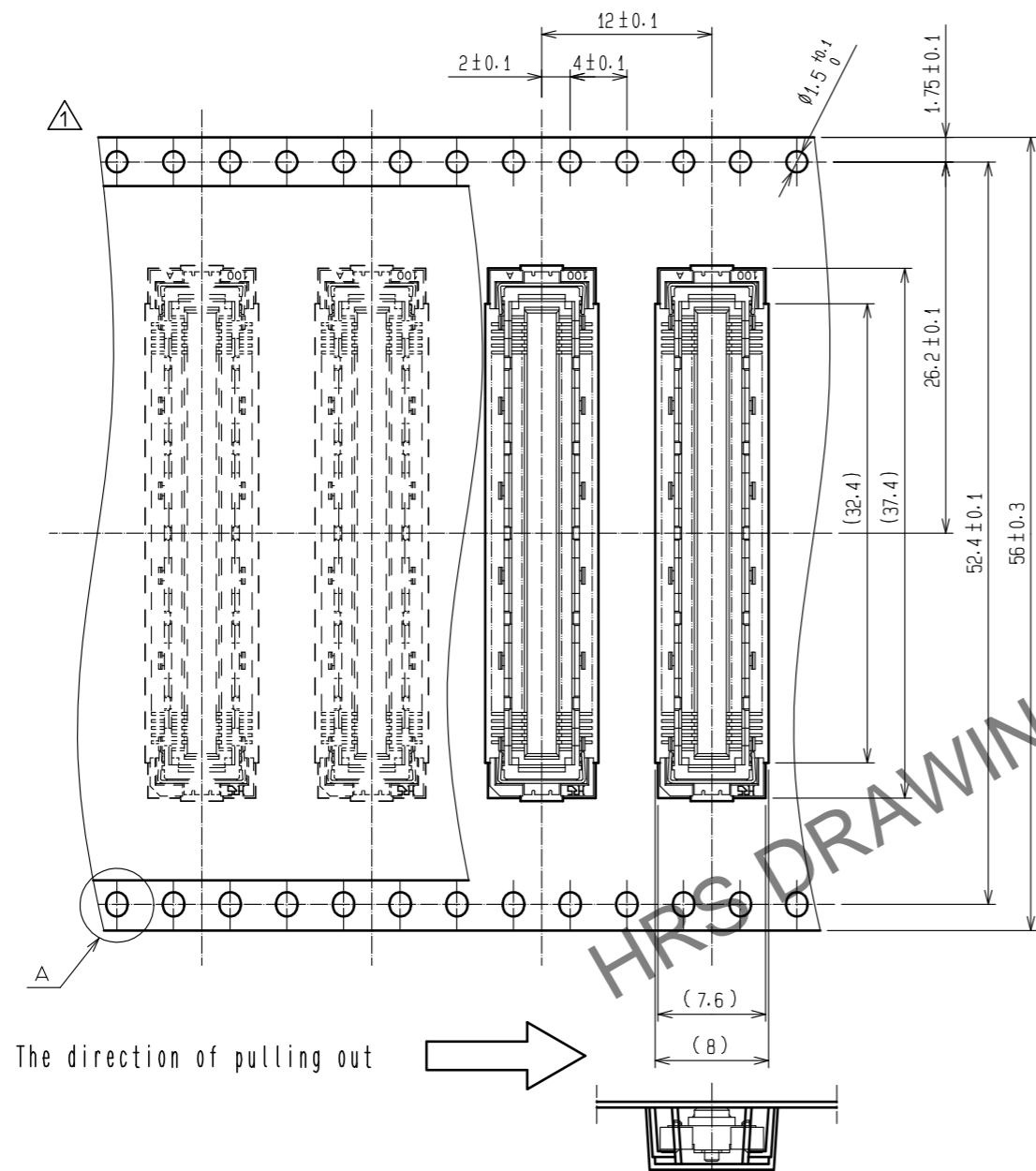


- Notes
- 1 SMT lead - coplanarity : 0.1 max.
 - 2 This product has no polarity to pattern for mounting.
 - 3 Emboss carrier tape package is applied on this product. Please refer to the sheet 2/2 for the details.

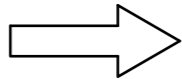
2	Phosphor bronze	Contact area : Gold 0.1 μ m min	5	Polyester	(Top cover tape)			
		Lead : Gold 0.05 μ m min	4	Polyethylene	(Emboss carrier tape)			
		Under plating : Nickel 1 μ m min	3	Phosphor bronze	Tin - plating			
1	LCP	Beige UL94V-0						
NO.	MATERIAL	FINISH . REMARKS	NO.	MATERIAL	FINISH . REMARKS			
UNITS		SCALE	COUNT	DESCRIPTION OF REVISIONS		DESIGNED	CHECKED	DATE
mm		4 : 1	1	DIS-F-00011032		MT. ITANO	HT. YAMAGUCHI	20211007
HRS HIROSE ELECTRIC CO., LTD.		APPROVED : KJ. KATAYOSE	20050105	DRAWING NO.		EDC3-151985-01		
		CHECKED : HS. OKAWA	20050105	PART NO.		FX10A-120S-SV(21)		
		DESIGNED : KT. DOI	20050105	CODE NO.		CL0570-0242-1-21		
		DRAWN : KT. DOI	20050105			1/2		

Oct.1.2024 Copyright 2024 HIROSE ELECTRIC CO., LTD. All Rights Reserved.
 In case of consideration for using Automotive equipment / device which demand high reliability, kindly contact our sales window correspondents.

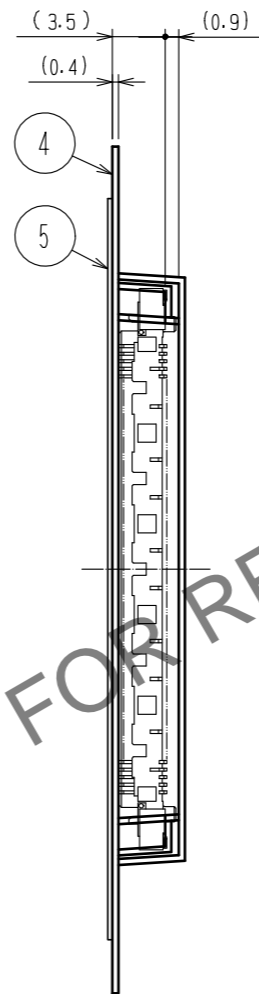
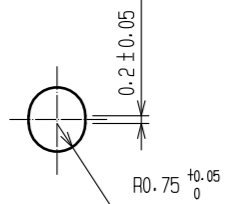
Drawing for packing (2:1)



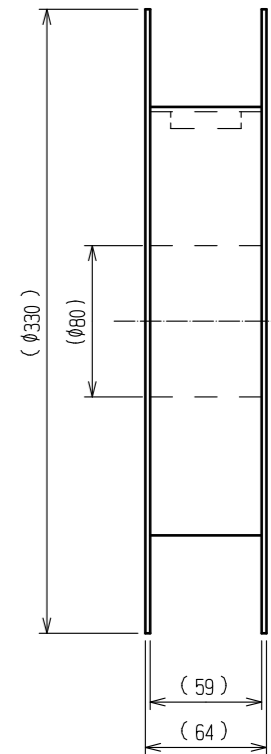
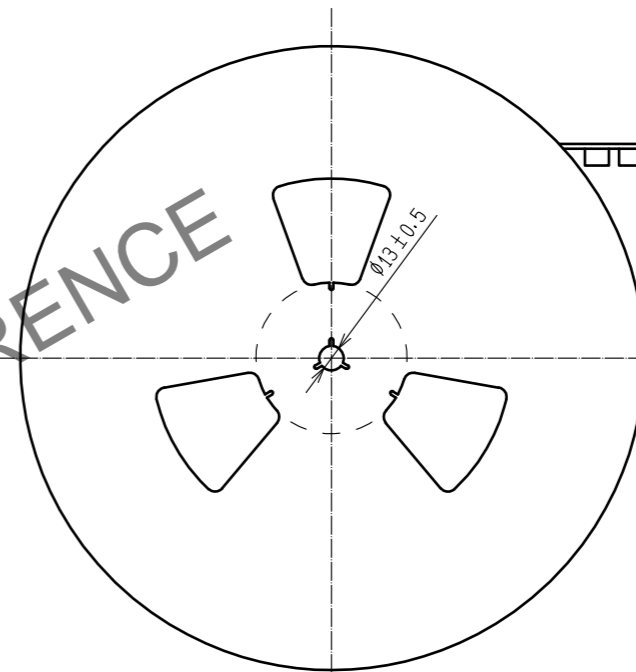
The direction of pulling out



A (5:1)



Reeled dimension (Free)



- Notes
- 4 1 reel : 1,000 connectors.
 - 5 Minimum 10 compartments from both reel ends remain empty.
 - 6 This product has no polarity to tape and reel packaging.
 - 7 The dimensions in parentheses are for reference.

HRS

DRAWING NO.	EDC3-151985-01
PART NO.	FX10A-120S-SV(21)
CODE NO.	CL0570-0242-1-21

2/2