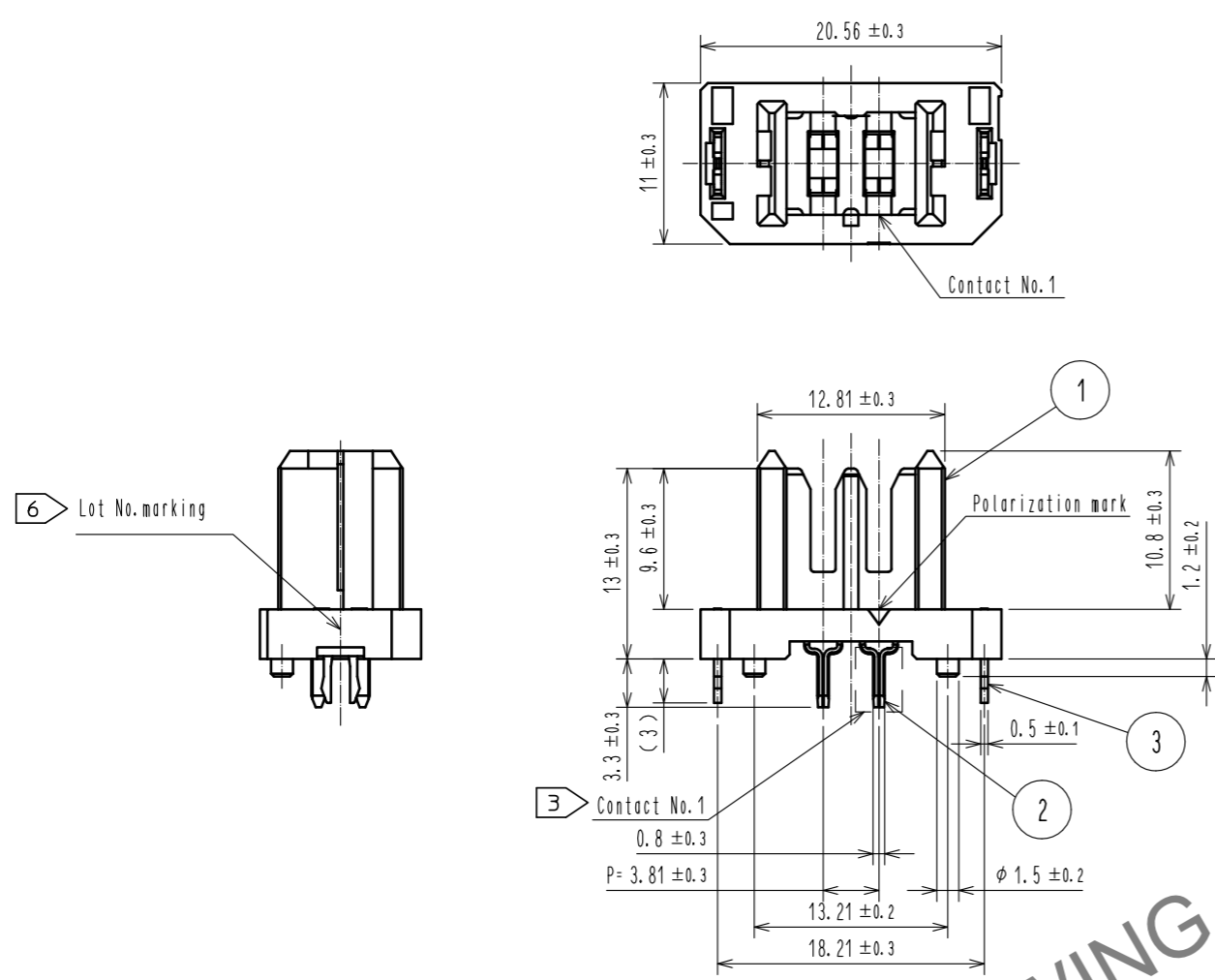
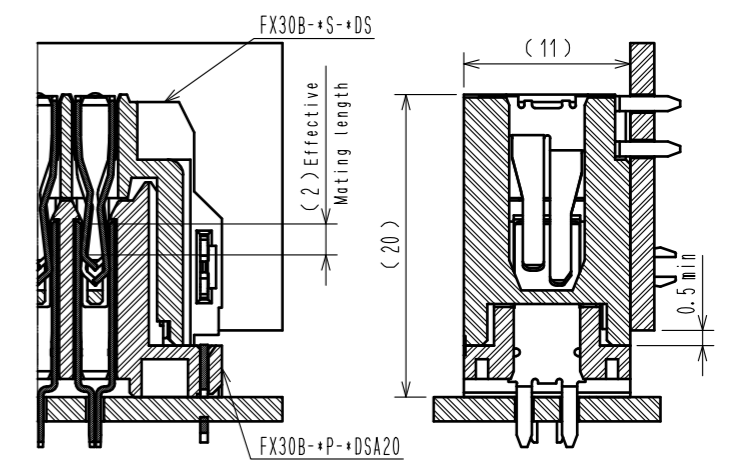


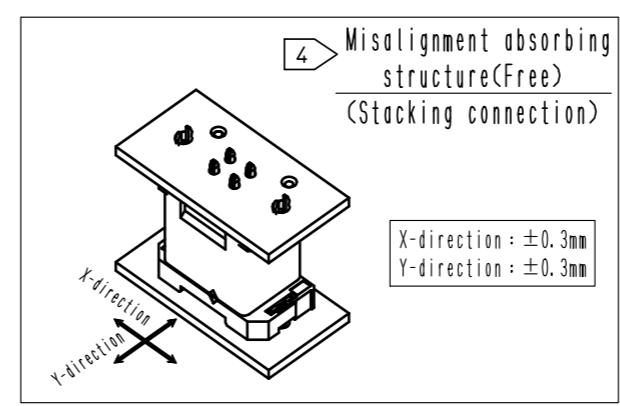
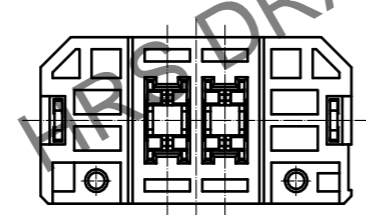
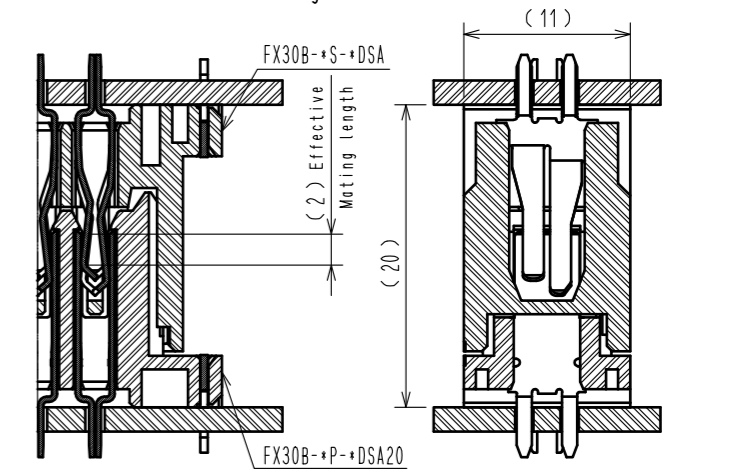
Sep.1.2024 Copyright 2024 HIROSE ELECTRIC CO., LTD. All Rights Reserved.  
In case of consideration for using Automotive equipment / device which demand high reliability, kindly contact our sales window correspondents.



Cross section of mating(Free)  
Vertical connection



Cross section of mating(Free)  
Stacking connection



- Note
- 1 This product is packaged in tray. (49pcs/tray)
  - 2 Blemish and hit mark can be occurred through out the manufacturing process which doesn't affect quality level. Also, black spot could be observed on the surface of housing.
  - 3 For the contact No., adjacent two pairs of leads placed back-to-back (4 leads in total) compose one line.
  - 4 Misalignment absorbing range: ± 0.3mm max.
  - 5 The dimension in parentheses are for references.
  - 6 Lot No. is indicated at either one of the position as shown.
  - 7 UL (File No. E52653)  
C-UL (File No. E52653)  
TUV (Certificate No. R50275872) authorization article.



2	COPPER ALLOY	CONTACT AREA: GOLD-PLATING 0.1 μm	4	POLYSTYRENE	3	PHOSPHOR BRONZE	TIN-PLATING 3.0 μm
		LEAD AREA: TIN-PLATING 1.0 μm					UNDER PLATING: NICKEL 1.0 μm
		UNDER PLATING: NICKEL 1.0 μm					BLACK UL94V-0
1	POLYAMIDE	FINISH . REMARKS	NO.	MATERIAL	FINISH . REMARKS		
UNITS mm		SCALE 2 : 1	COUNT 1	DESCRIPTION OF REVISIONS DIS-F-00006019	DESIGNED AK. IWAHORI	CHECKED HT. YAMAGUCHI	DATE 20200406
<b>HRS</b> HIROSE ELECTRIC CO., LTD.		APPROVED : HS. OKAWA 20130307	DRAWING NO. EDC3-347255-00				
		CHECKED : KI. HIROKAWA 20130307	PART NO. FX30B-2P-3.81DSA20				
		DESIGNED : DK. AIMOTO 20130307	CODE NO. CL570-3100-3-00				
		DRAWN : DK. AIMOTO 20130307					

Sep.1.2024 Copyright 2024 HIROSE ELECTRIC CO., LTD. All Rights Reserved.  
 In case of consideration for using Automotive equipment / device which demand high reliability, kindly contact our sales window correspondents.

