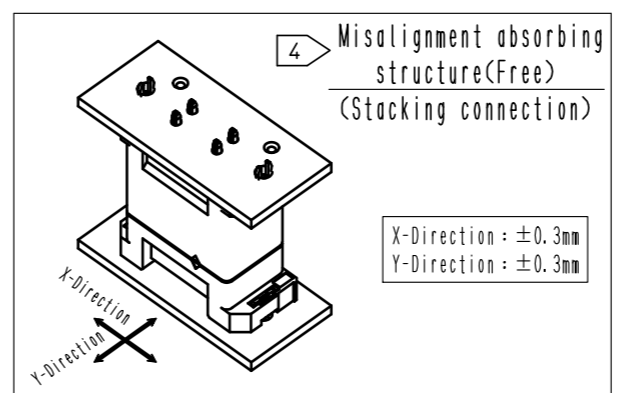
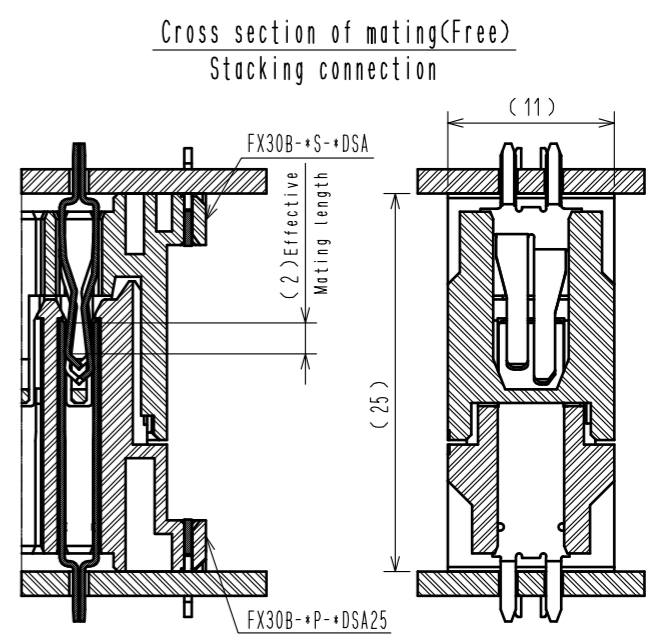
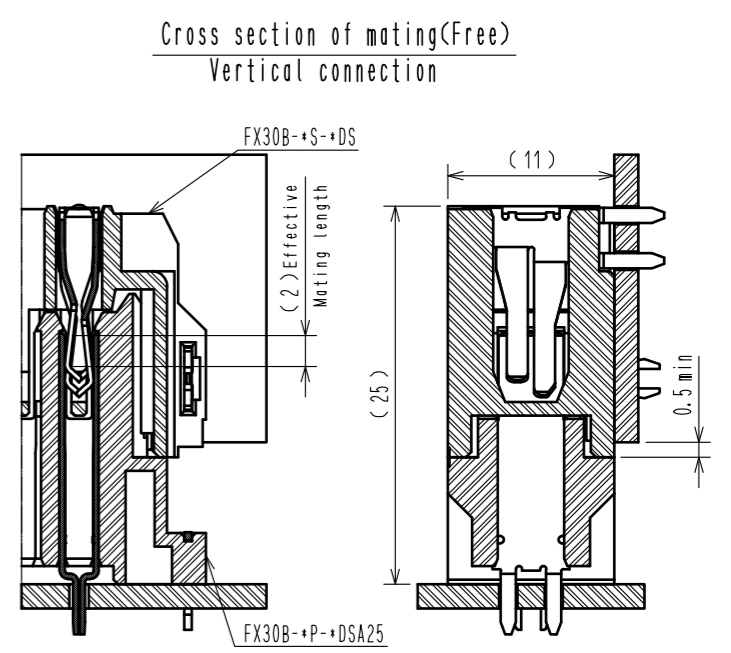
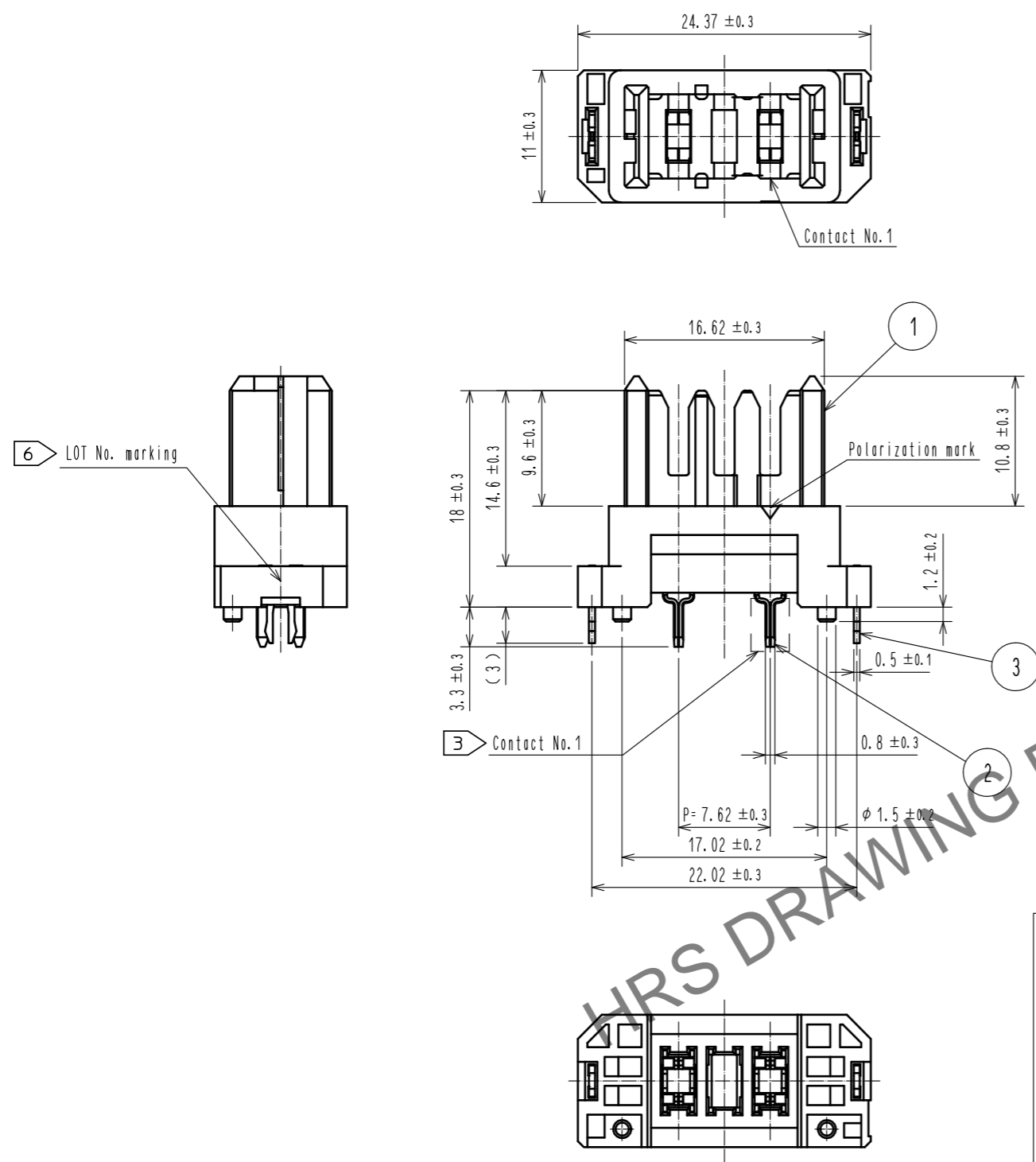


Sep.1.2024 Copyright 2024 HIROSE ELECTRIC CO., LTD. All Rights Reserved.
In case of consideration for using Automotive equipment / device which demand high reliability, kindly contact our sales window correspondents.



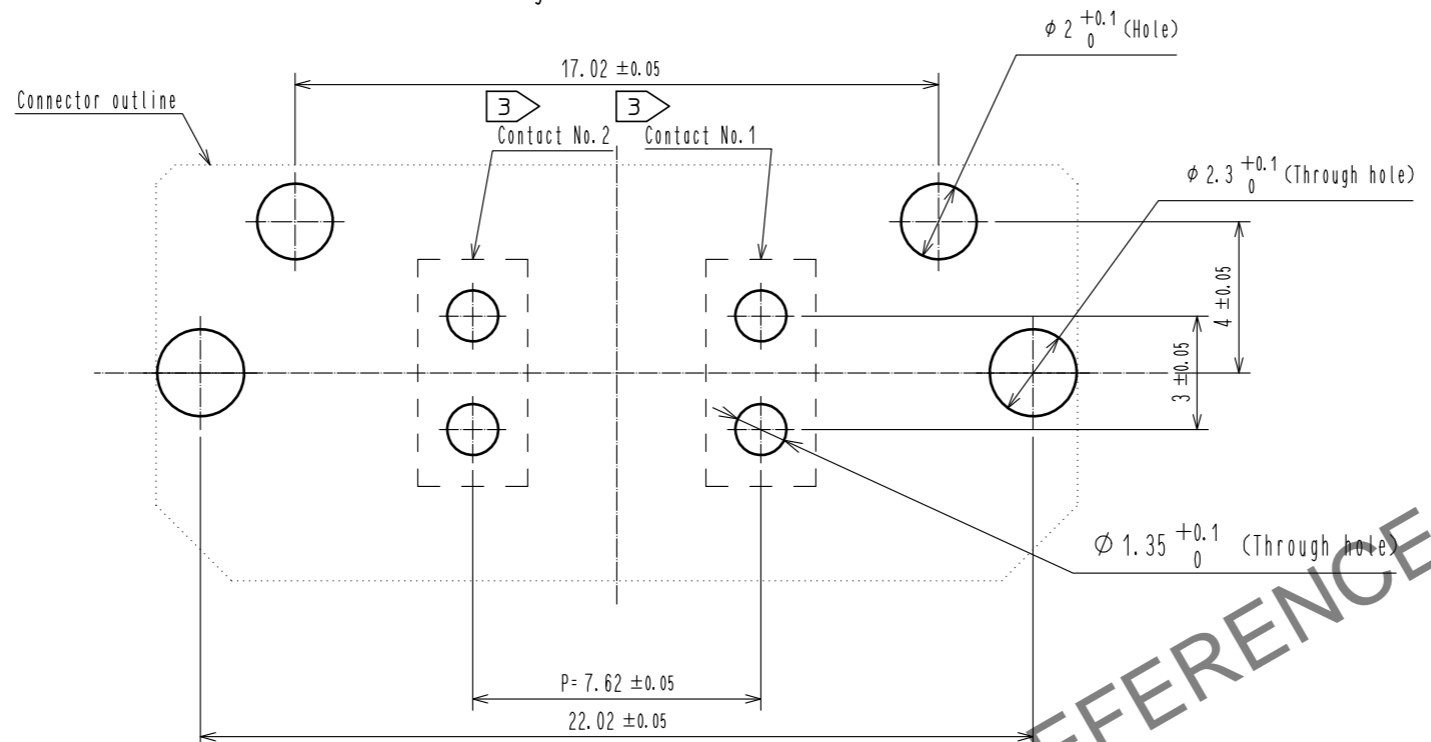
- NOTE
- ① This product is packaged in tray. (42pcs/tray)
 - ② Blemish and hit mark can be occurred through out the manufacturing process which doesn't affect quality level. Also, black spot could be observed on the surface of housing.
 - ③ For the contact No., adjacent two pairs of leads placed back-to-back (4 leads in total) Compose one line.
 - ④ Misalignment absorbing range: ±0.3mm max.
 - ⑤ The dimension in parentheses are for references.
 - ⑥ Lot No. is indicated at either one of the position as shown.
 - ⚠ ⑦ UL (File No. E52653)
C-UL (File No. E52653)
 - ⚠ TUV (Certificate No. R50275872) authorization article.



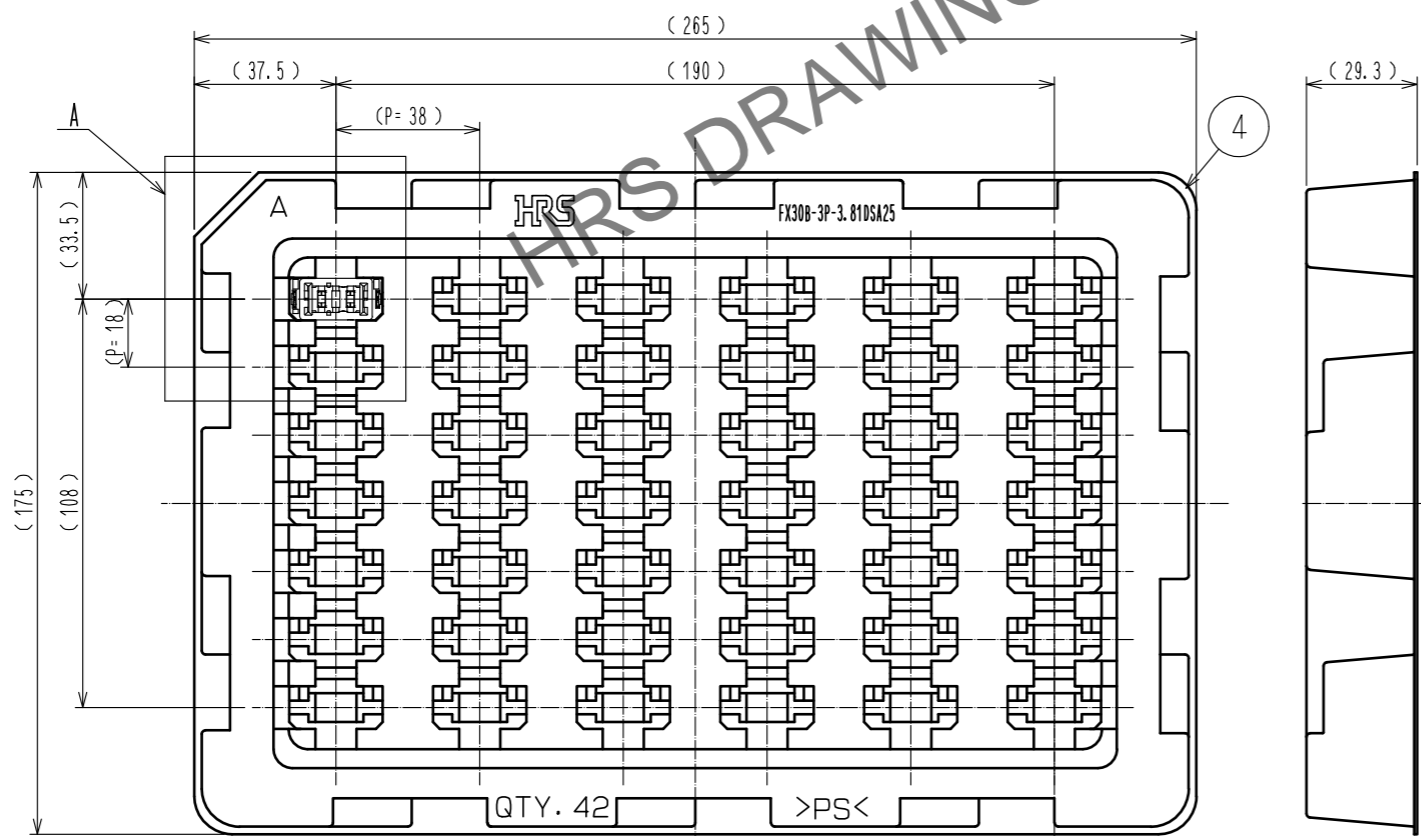
| 2 | Copper alloy | Contact area: Gold-plating 0.1 μm | 4 | Polystyrene | Tin-plating 3.0 μm | | | |
|--------------------------------------|--------------|-----------------------------------|------------|--|------------------------------|-------------------------|--------------------------|------------------|
| | | Lead area: Tin-plating 1.0 μm | | | | | | |
| | | Under plating: Nickel 1.0 μm | | | | | | |
| 1 | Polyamide | Black UL94V-0 | 3 | Phosphor bronze | Under plating: Nickel 1.0 μm | | | |
| NO. | MATERIAL | FINISH . REMARKS | NO. | MATERIAL | FINISH . REMARKS | | | |
| UNITS mm | | SCALE 2 : 1 | COUNT 1 | DESCRIPTION OF REVISIONS DIS-F-00006019 | | DESIGNED AK. IWAHORI | CHECKED HT. YAMAGUCHI | DATE 20200406 |
| HRS HIROSE ELECTRIC CO., LTD. | | APPROVED : HS. OKAWA | 20140912 | DRAWING NO. EDC3-359158-00 | | | | |
| | | CHECKED : KN. SHIBUYA | 20140912 | PART NO. FX30B-2P-7.62DSA25 | | | | |
| | | DESIGNED : DK. AIMOTO | 20140912 | CODE NO. CL570-3205-1-00 | | | | |
| | | DRAWN : DK. AIMOTO | 20140912 | | | | | 1/2 |

Sep.1.2024 Copyright 2024 HIROSE ELECTRIC CO., LTD. All Rights Reserved.
 In case of consideration for using Automotive equipment / device which demand high reliability, kindly contact our sales window correspondents.

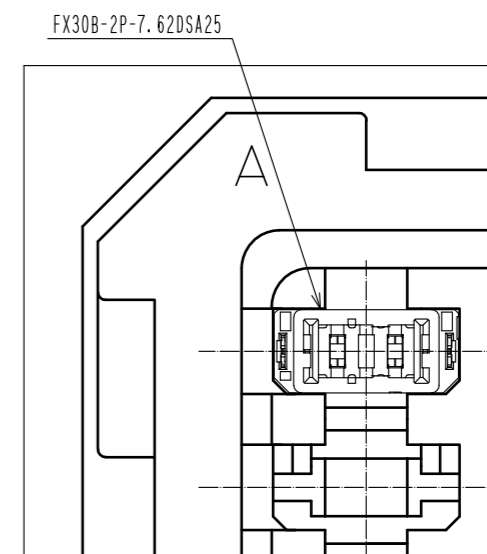
Recommended hole pattern dimension of PCB(5:1)
 (Connector mounting side, PCB thickness:t=1.6mm)



1 Drawing for packaging(1:2)



A(1:1)



| | | |
|------------|-------------|--------------------|
| HRS | DRAWING NO. | EDC3-359158-00 |
| | PART NO. | FX30B-2P-7.62DSA25 |
| | CODE NO. | CL570-3205-1-00 |
| | | 2/2 |