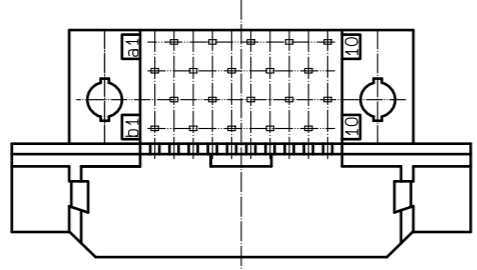
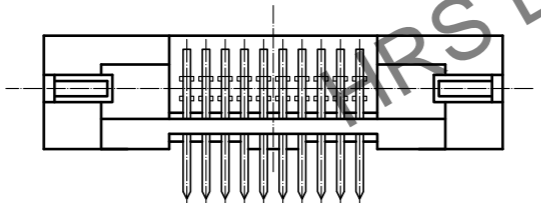
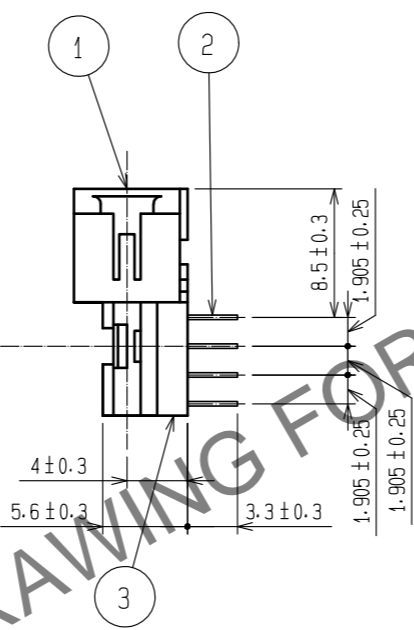
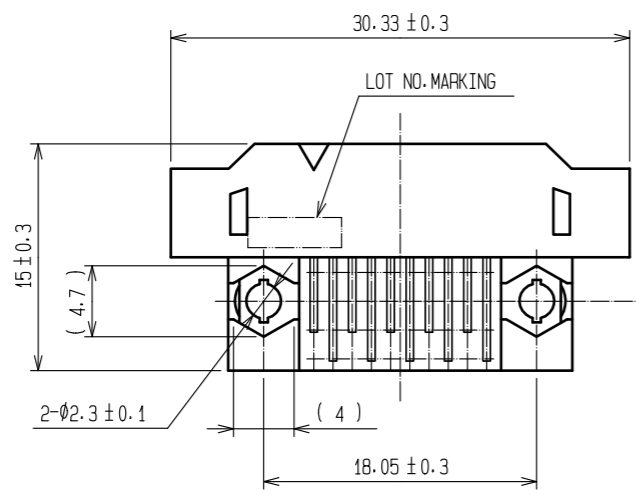
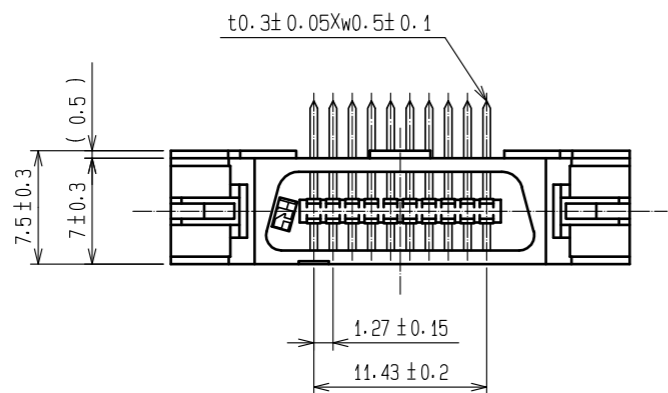
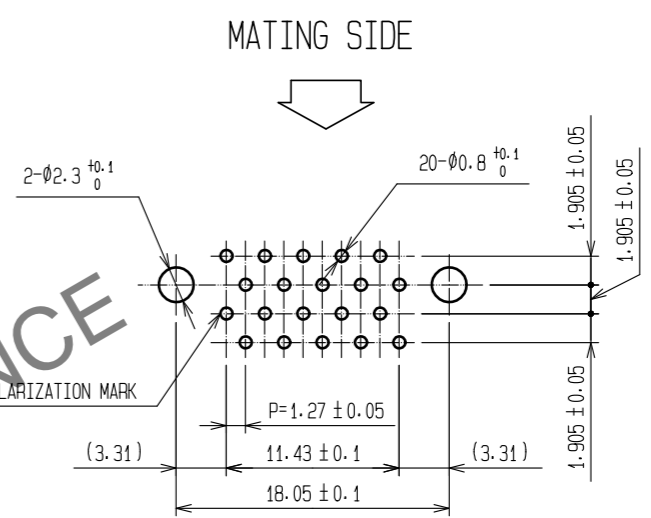


May.1.2026 Copyright 2026 HIROSE ELECTRIC CO., LTD. All Rights Reserved.
 In case of consideration for using Automotive equipment / device which demand high reliability, kindly contact our sales window correspondents.



RECOMMENDED PC BOARD HOLE PATTERN(MOUNTING SIDE)



NOTES 1. THE DIMENSIONS IN PARENTHESES ARE FOR REFERENCE.

| | | | | | | |
|------------------------|-----------|------------------|---------|--------------------------|----------|----------------------------------|
| 1.3 | POLYAMIDE | BLACK | UL94V-0 | 2 | BRASS | CONTACT AREA:GOLD PLATING 0.05#m |
| | | | | | | LEAD AREA:TIN PLATING 2#m |
| | | | | | | UNDER:NICKEL PLATING 1#m |
| NO. | MATERIAL | FINISH . REMARKS | | NO. | MATERIAL | FINISH . REMARKS |
| UNITS | ⊙ | SCALE | COUNT | DESCRIPTION OF REVISIONS | | DESIGNED |
| mm | | 2 : 1 | △ | | | CHECKED |
| APPROVED :MK. NAGATA | | 20250711 | | DRAWING NO. | | EDC-410006-71-00 |
| CHECKED :HT. YAMAGUCHI | | 20250711 | | PART NO. | | FX2B1-20PA-1.27DS(71) |
| DESIGNED :MM. ISHII | | 20250711 | | CODE NO. | | CL0572-0075-0-71 |
| DRAWN :MM. ISHII | | 20250711 | | | | |