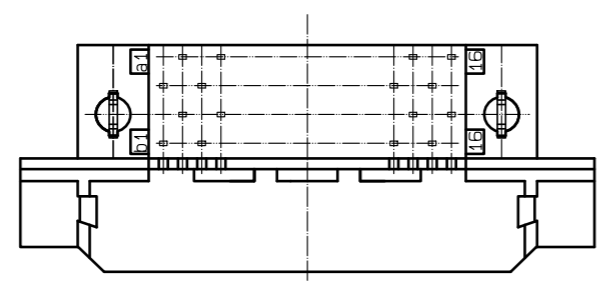
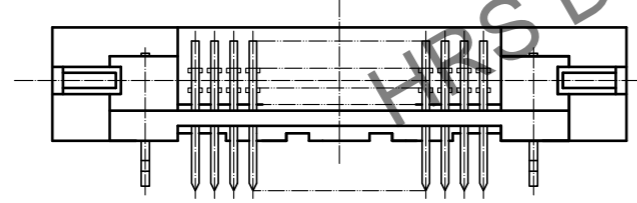
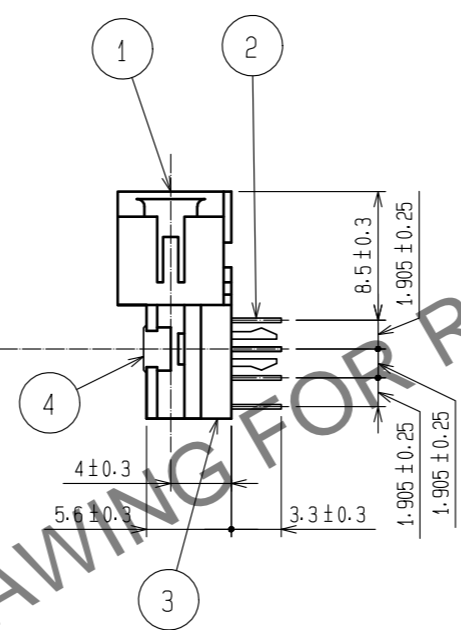
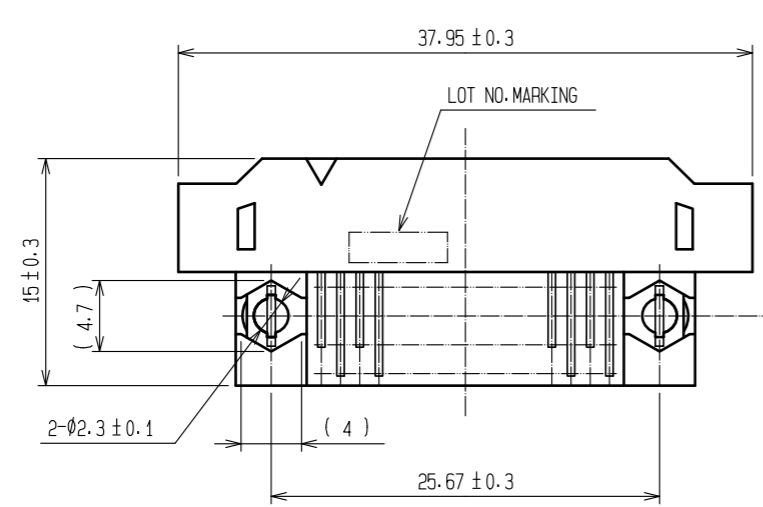
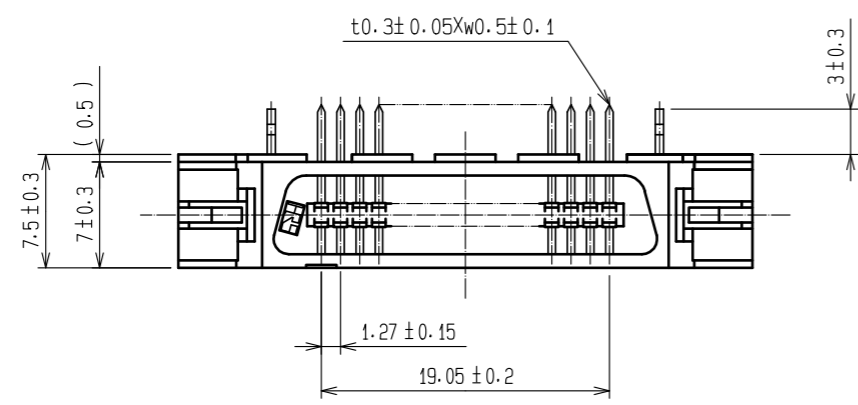
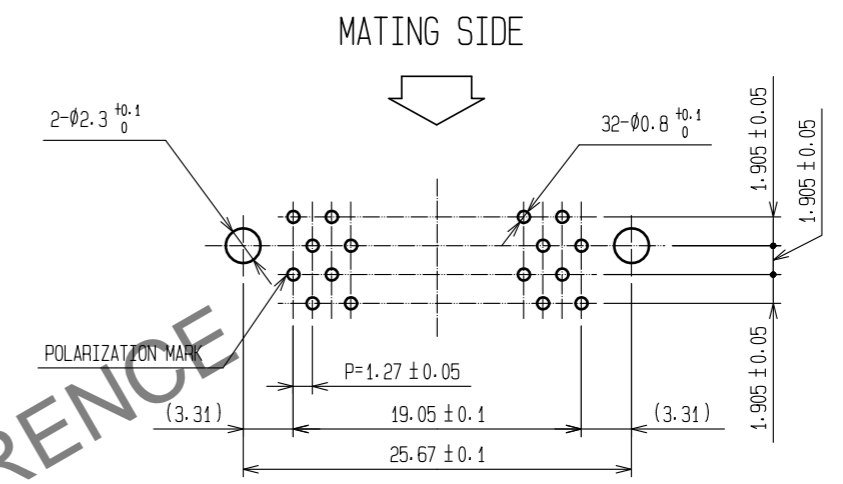


Apr.1.2026 Copyright 2026 HIROSE ELECTRIC CO., LTD. All Rights Reserved.
 In case of consideration for using Automotive equipment / device which demand high reliability, kindly contact our sales window correspondents.



RECOMMENDED PC BOARD HOLE PATTERN(MOUNTING SIDE)



NOTES 1. THE DIMENSIONS IN PARENTHESES ARE FOR REFERENCE.

4	PHOSPHOR BRONZE	TIN-PLATING	2	BRASS	CONTACT AREA:GOLD PLATING 0.05μm			
1.3	POLYAMIDE	BLACK UL94V-0			LEAD AREA:TIN PLATING 2μm			
					UNDER:NICKEL PLATING 1μm			
NO.	MATERIAL	FINISH . REMARKS	NO.	MATERIAL	FINISH . REMARKS			
UNITS	⊕	SCALE	COUNT	DESCRIPTION OF REVISIONS		DESIGNED	CHECKED	DATE
mm		2 : 1	△					
APPROVED : MK. NAGATA			20250711	DRAWING NO.		EDC-410013-71-00		
CHECKED : HT. YAMAGUCHI			20250711	PART NO.		FX2B1-32PA-1. 27DSL(71)		
DESIGNED : MM. ISHII			20250711	CODE NO.		CL0572-0082-0-71		
DRAWN : MM. ISHII			20250711					