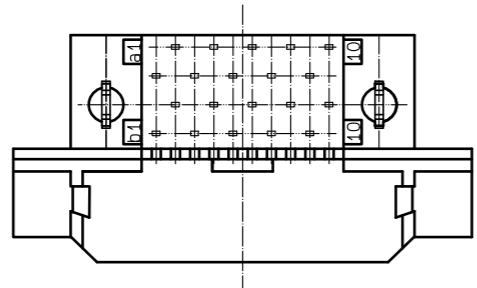
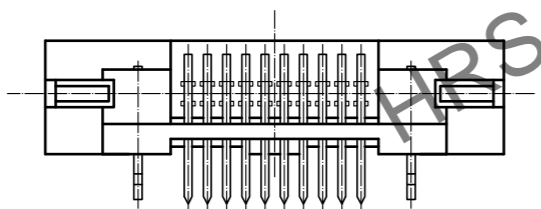
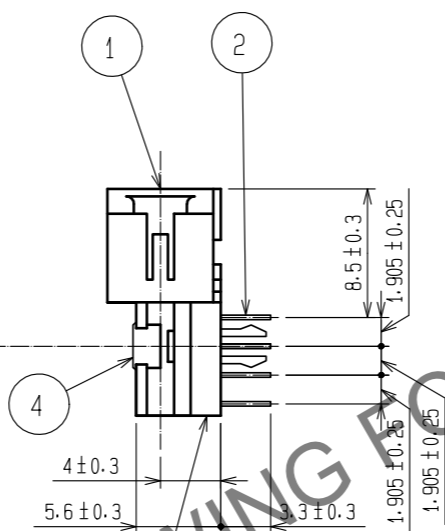
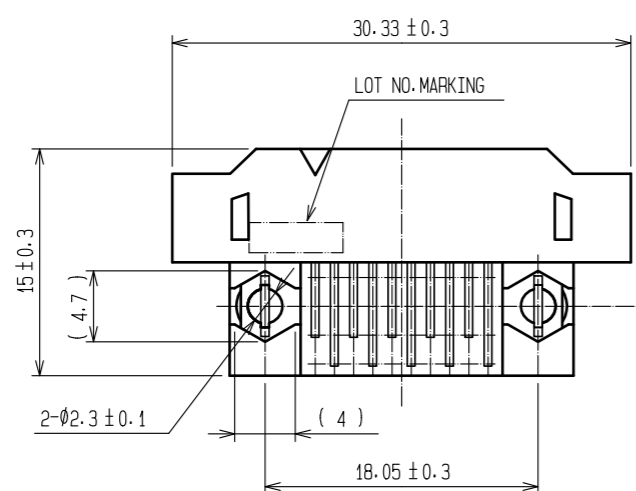
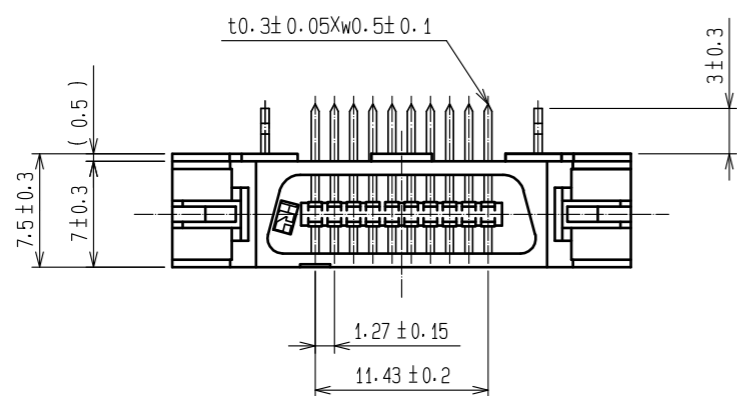
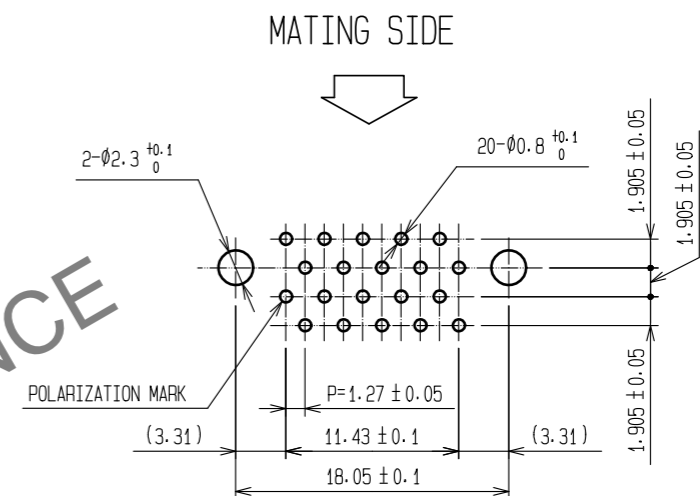


Apr.1.2026 Copyright 2026 HIROSE ELECTRIC CO., LTD. All Rights Reserved.
 In case of consideration for using Automotive equipment / device which demand high reliability, kindly contact our sales window correspondents.



RECOMMENDED PC BOARD HOLE PATTERN(MOUNTING SIDE)



NOTES 1. THE DIMENSIONS IN PARENTHESES ARE FOR REFERENCE.

4	PHOSPHOR BRONZE	TIN-PLATING	2	BRASS	CONTACT AREA:GOLD PLATING 0.05#m		
1.3	POLYAMIDE	BLACK UL94V-0			LEAD AREA:TIN PLATING 2#m		
					UNDER:NICKEL PLATING 1#m		
NO.	MATERIAL	FINISH . REMARKS	NO.	MATERIAL	FINISH . REMARKS		
UNITS	⊙	SCALE	COUNT	DESCRIPTION OF REVISIONS	DESIGNED	CHECKED	DATE
mm		2 : 1	△				
APPROVED :MK. NAGATA			20250711	DRAWING NO. EDC-410014-71-00			
CHECKED :HT. YAMAGUCHI			20250711	PART NO. FX2B1-20PA-1.27DSL(71)			
DESIGNED :MM. ISHII			20250711	CODE NO. CL0572-0083-0-71			
DRAWN :MM. ISHII			20250711				