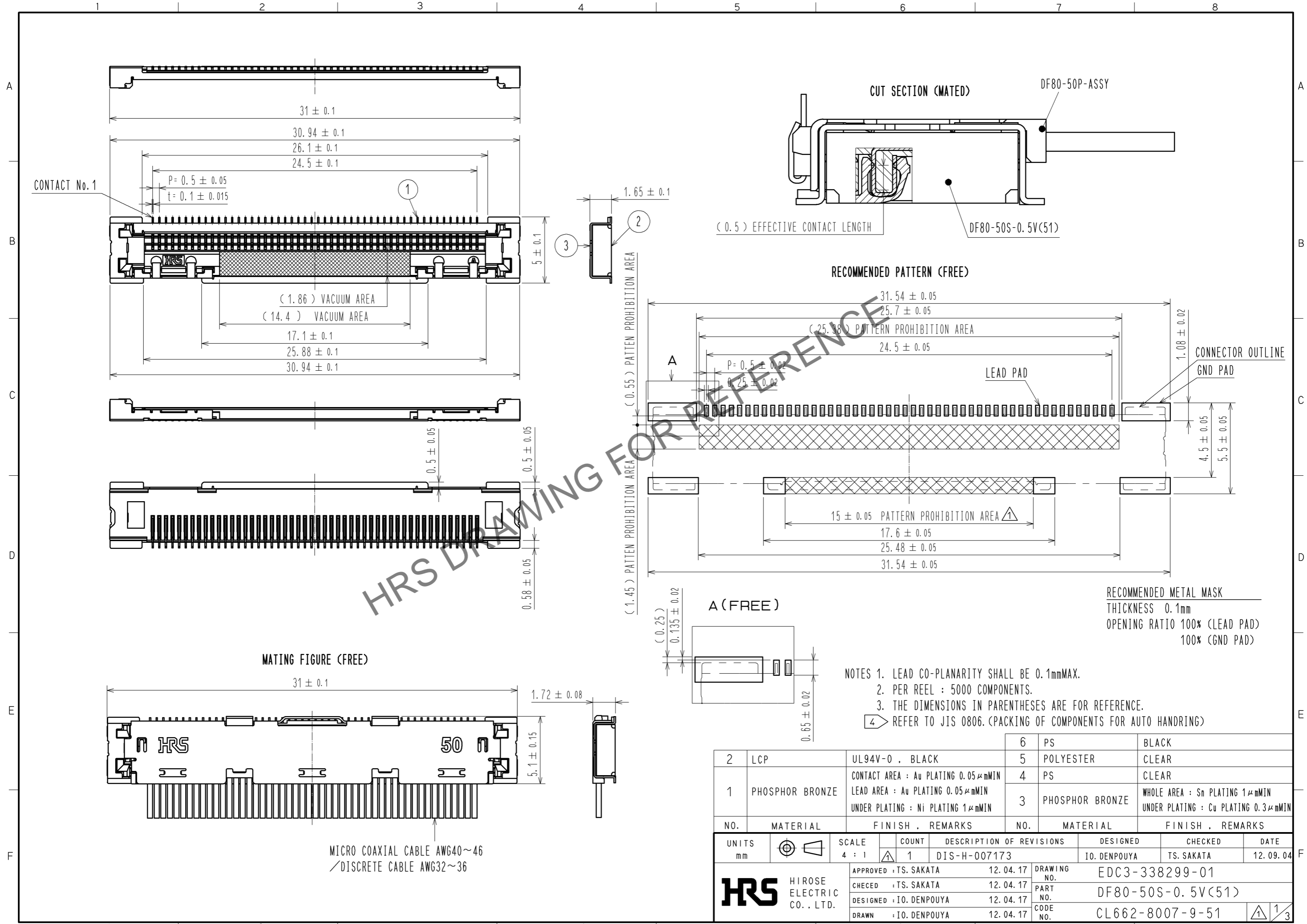


Jul.1.2024 Copyright 2024 HIROSE ELECTRIC CO., LTD. All Rights Reserved.
 In case of consideration for using Automotive equipment / device which demand high reliability, kindly contact our sales window correspondents.

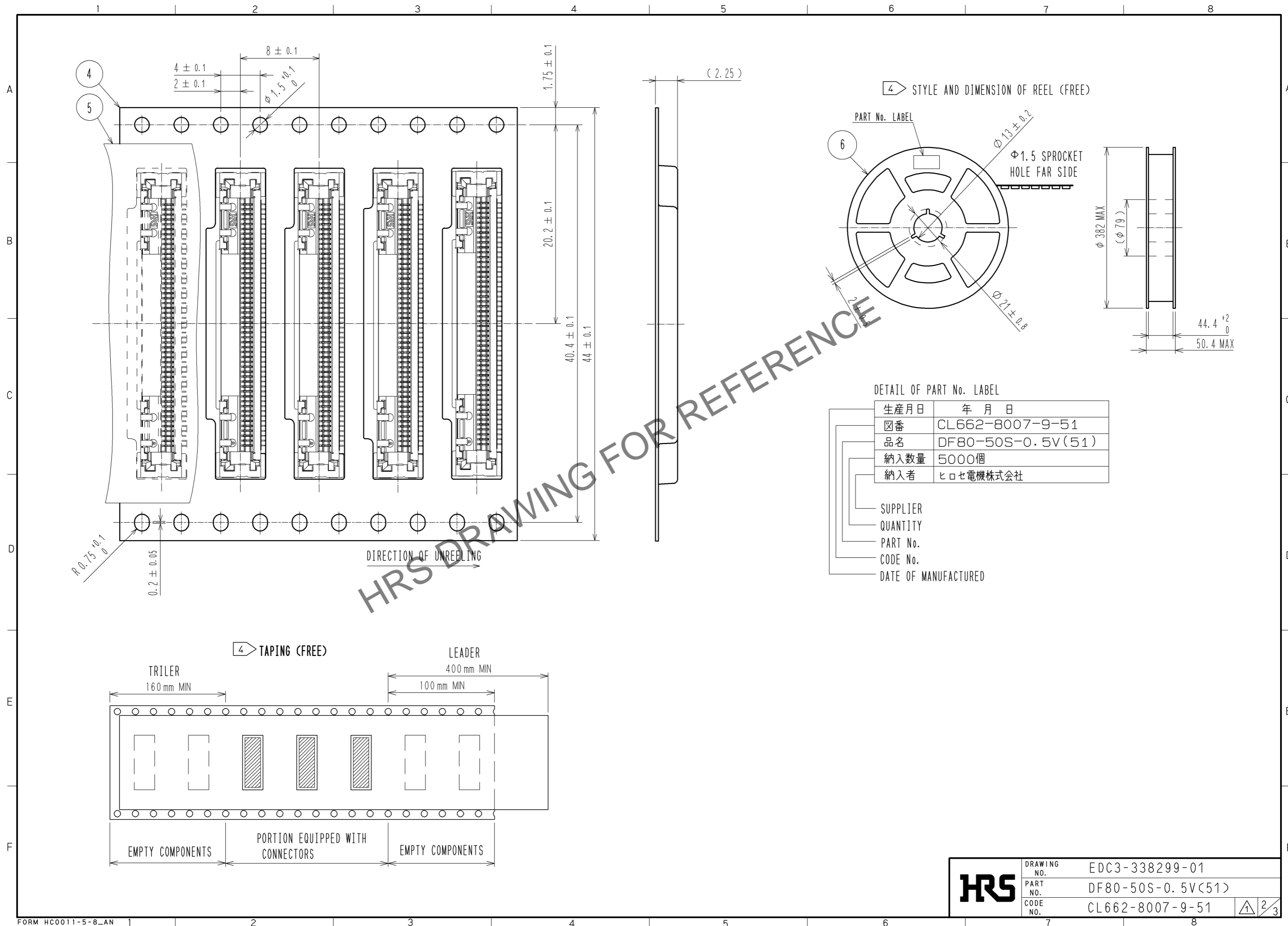


RECOMMENDED METAL MASK
 THICKNESS 0.1mm
 OPENING RATIO 100% (LEAD PAD)
 100% (GND PAD)

- NOTES 1. LEAD CO-PLANARITY SHALL BE 0.1mmMAX.
 2. PER REEL : 5000 COMPONENTS.
 3. THE DIMENSIONS IN PARENTHESES ARE FOR REFERENCE.
 4. REFER TO JIS 0806. (PACKING OF COMPONENTS FOR AUTO HANDRING)

2	LCP	UL94V-0 , BLACK	6	PS	BLACK		
1	PHOSPHOR BRONZE	CONTACT AREA : Au PLATING 0.05μmMIN LEAD AREA : Au PLATING 0.05μmMIN UNDER PLATING : Ni PLATING 1μmMIN	5	POLYESTER	CLEAR		
			4	PS	CLEAR		
			3	PHOSPHOR BRONZE	WHOLE AREA : Sn PLATING 1μmMIN UNDER PLATING : Cu PLATING 0.3μmMIN		
NO.	MATERIAL	FINISH . REMARKS	NO.	MATERIAL	FINISH . REMARKS		
UNITS mm		SCALE 4 : 1	COUNT 1	DESCRIPTION OF REVISIONS DIS-H-007173	DESIGNED IO. DENPOUYA	CHECKED TS. SAKATA	DATE 12. 09. 04
HRS HIROSE ELECTRIC CO., LTD.		APPROVED : TS. SAKATA	12. 04. 17	DRAWING NO.	EDC3-338299-01		
		CHECED : TS. SAKATA	12. 04. 17	PART NO.	DF80-50S-0.5V(51)		
		DESIGNED : IO. DENPOUYA	12. 04. 17	CODE NO.	CL662-8007-9-51		
		DRAWN : IO. DENPOUYA	12. 04. 17				

Jul.1.2024 Copyright 2024 HIROSE ELECTRIC CO., LTD. All Rights Reserved.
 In case of consideration for using Automotive equipment / device which demand high reliability, kindly contact our sales window correspondents.



HRS	DRAWING NO.	EDC3-338299-01
	PART NO.	DF80-50S-0.5V(51)
	CODE NO.	CL662-8007-9-51
		2/3

Jul.1.2024 Copyright 2024 HIROSE ELECTRIC CO., LTD. All Rights Reserved.
In case of consideration for using Automotive equipment / device which demand high reliability, kindly contact our sales window correspondents.

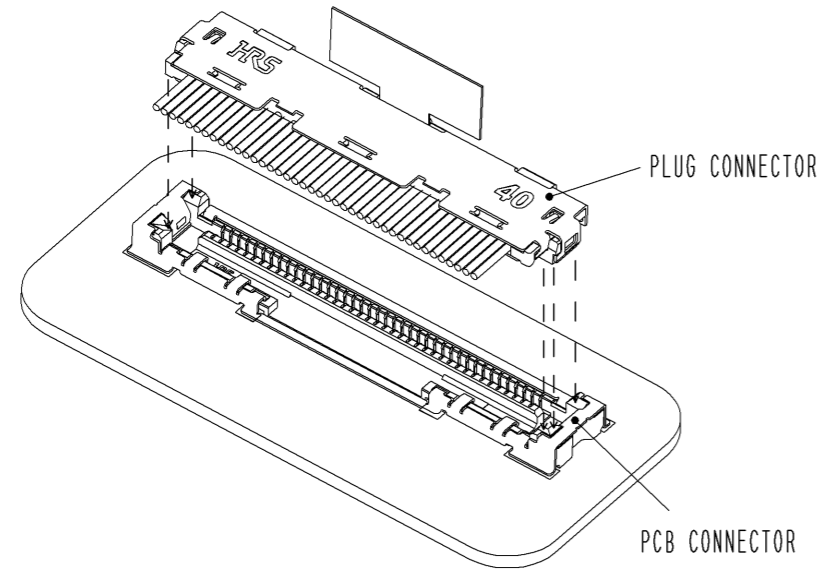
[CONNECTOR INSERTION]

1. ALIGN THE PLUG CONNECTOR TO THE GUIDES ON PCB CONNECTOR AND INSERT.
2. APPLY EVEN FORCE TO THE PLUG CONNECTOR SURFACE AND FEEL TACTILE CLICK FOR COMPLETE LOCK.

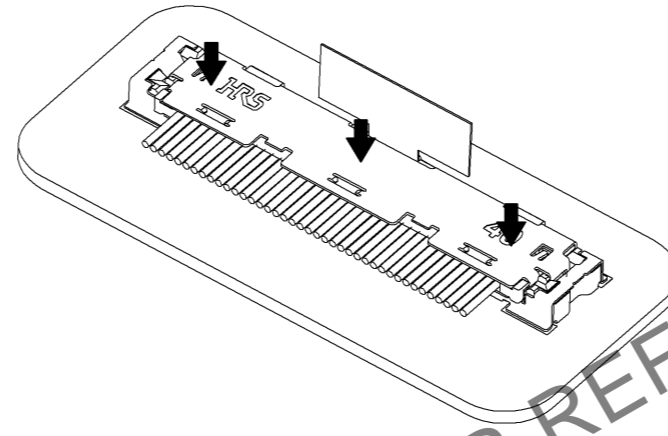
SUPPLEMENTATION

TOTAL HEIGHT IS KEPT WITHIN THE HEIGHT OF MATED CONNECTORS BY LAYING DOWN THE PULL TAB AS SHOWN.

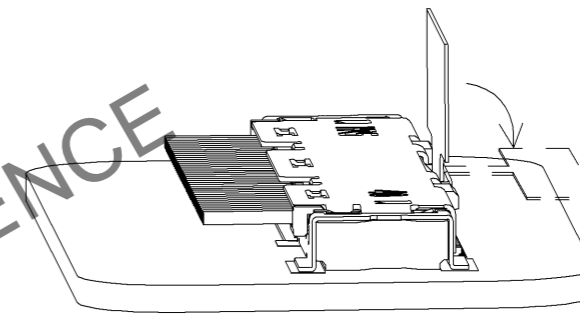
PROCEDURE 1



PROCEDURE 2



**SUPPLEMENTATION :
METHOD OF STORING PULL TAB**



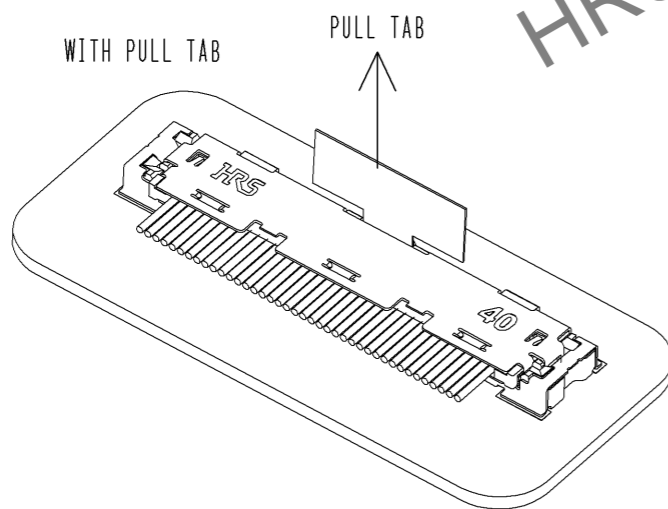
[CONNECTOR WITHDRAWAL]

<WITH PULL TAB>

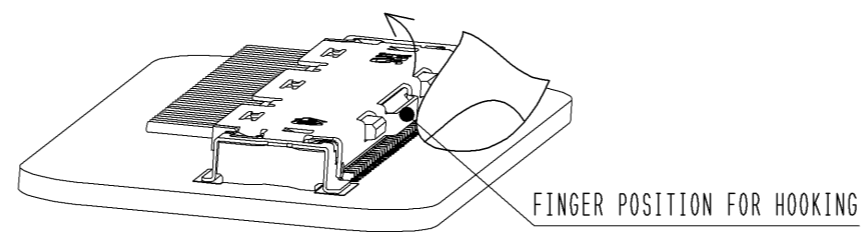
BY PULLING UP THE TAB TO THE DIRECTION INDICATED WITH THE ARROW , PLUG CONNECTOR IS RELEASED.

<WITHOUT PULL TAB>

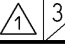
BY HOOKING THE PLUG CONNECTOR AT THE POSITION SHOWN WITH FINGER AND PULLING UP, PLUG CONNECTOR IS RELEASED.



WITHOUT PULL TAB



HRS DRAWING FOR REFERENCE

HRS	DRAWING NO.	EDC3-338299-01		3/3
	PART NO.	DF80-50S-0.5V<51>		
	CODE NO.	CL662-8007-9-51		