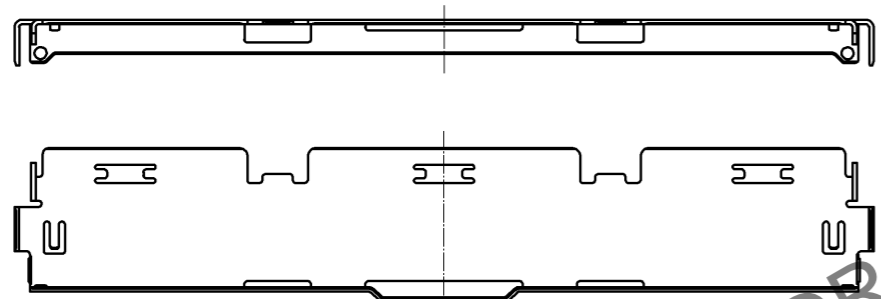
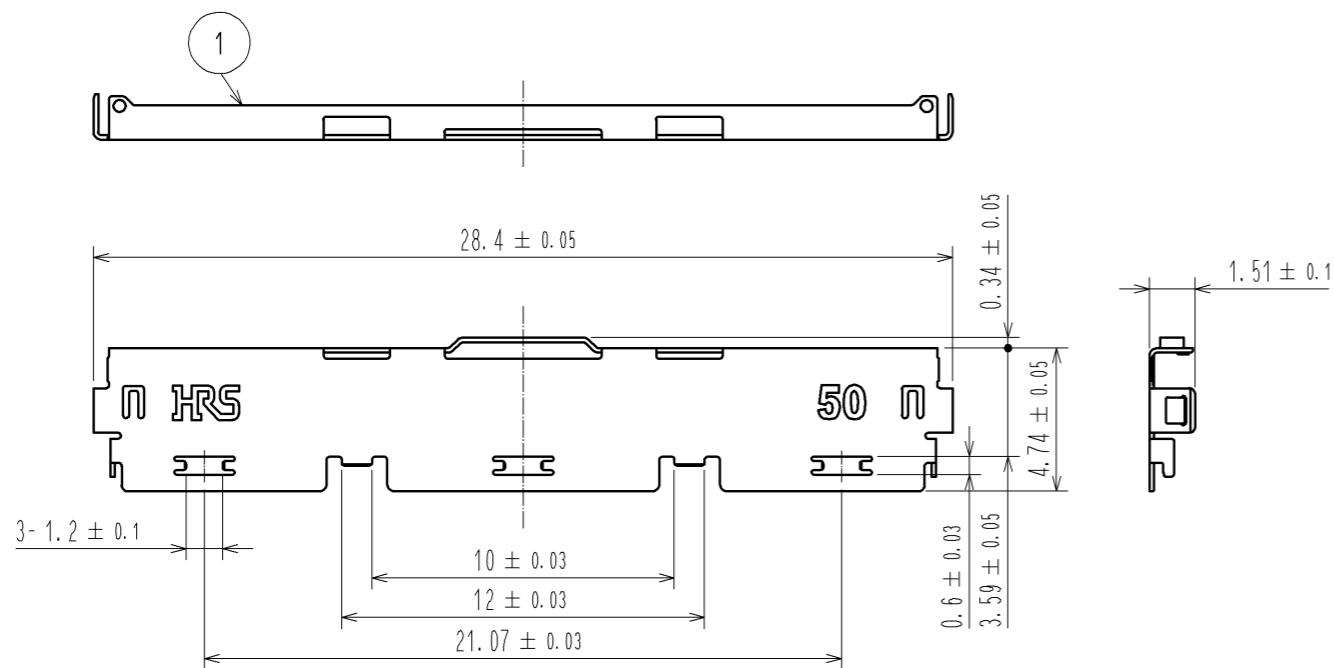
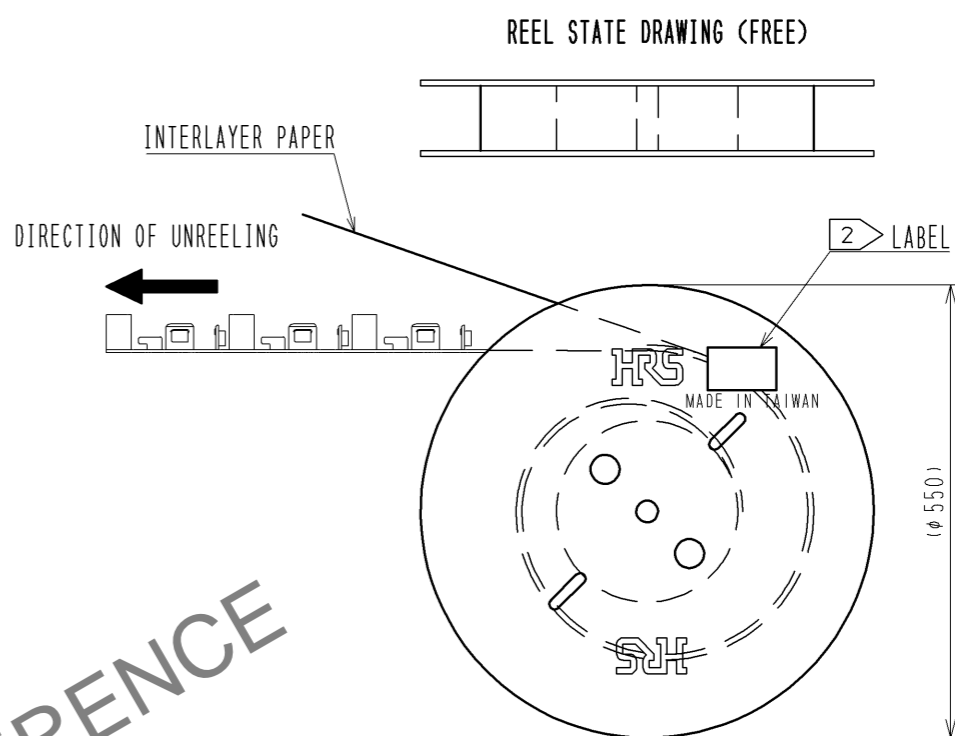
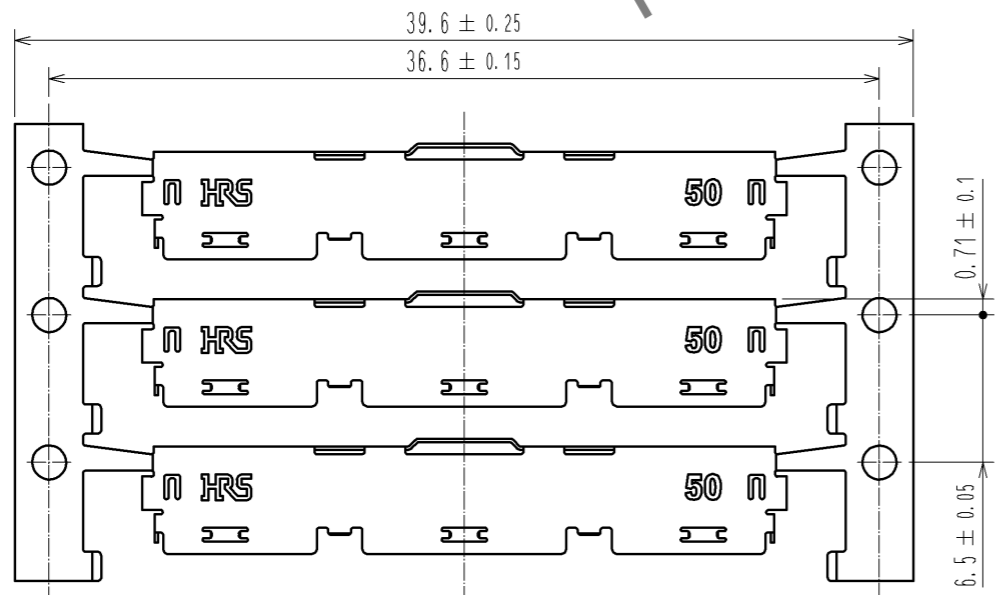


Jul.1.2024 Copyright 2024 HIROSE ELECTRIC CO., LTD. All Rights Reserved.  
 In case of consideration for using Automotive equipment / device which demand high reliability, kindly contact our sales window correspondents.



CAREER STATE DRAWING(FREE)



NOTES

- 1. PER REEL:1000 COMPONENTS
- 2. DETAILS OF THE LABEL ARE SHOWN BELOW.
- 3. THE ASSEMBLY IS COMPLETED BY COMBINING TWO PARTS 'CONNECTOR UNIT, AND METAL SHIELDING'. REFER TO THE TABLE FOR EACH ITEM No. PART NAME, PART No AND CODE No.

2 LABEL DETAILS

HRS		INSPECTION 検査
CODE No. 品名コード	CL662-8009-4-52	
PART No. 品名	DF80-50P-SHL(52)	
QTY 数量	1,000 PCS	
PECULIAR 仕様		
Lot No		
SPLICE 継ぎ目		

3

ITEM No.	PART NAME	PART No.	CODE No.
-	CONNECTOR UNIT	DF80-50P-0.5SD(52)	CL662-8008-1-52
1	METAL SHIELDING	DF80-50P-SHL(52)	CL662-8009-4-52

NO.	MATERIAL	FINISH . REMARKS	NO.	MATERIAL	FINISH . REMARKS
			1	STAINLESS	WHOLE AREA : Sn PLATING 1μmMIN UNDER PLATING : Ni PLATING 0.2μmMIN

UNITS mm	SCALE FREE	COUNT	DESCRIPTION OF REVISIONS	DESIGNED	CHECKED	DATE
			APPROVED : TS. SAKATA 13.02.21			
			CHECED : TS. SAKATA 13.02.21			
			DESIGNED : IO. DENPOUYA 13.02.21			
			DRAWN : IO. DENPOUYA 13.02.21			

DRAWING NO.	PART NO.	CODE NO.
EDC3-338301-02	DF80-50P-SHL(52)	CL662-8009-4-52