

1.Coverage

This document specifies mating/unmating operation for the DF80※-※S-0.5V and DF80※-※P-0.5SD(ASSY). (※: Classification, *: Pin counts)

2.Connector Product Name

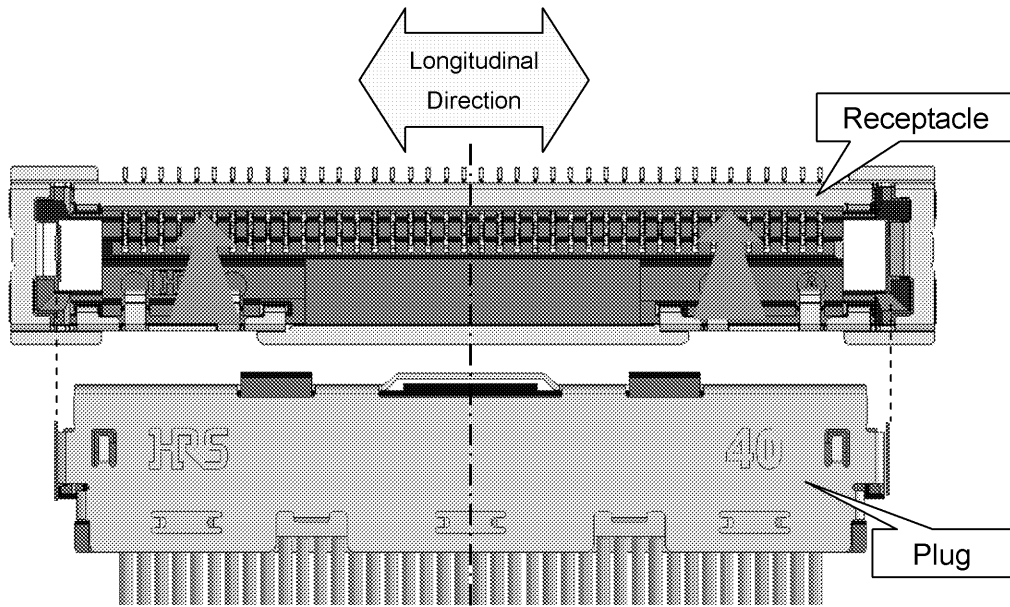
*: Pin counts
 ※: Classification

Part Number	Description	Composition
DF80※-※S-0.5V	Receptacle	DF80※-※S-0.5V (Connector body)
DF80※-※P-0.5SD(ASSY)	Plug	DF80※-※P-0.5SD + DF80※-※P-SHL (Plug body) (Metal shell)

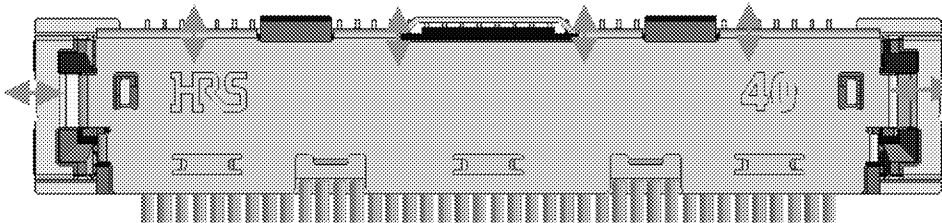
3.Operating Process

3-1.Insertion

3-1-1: The plug is stored in the receptacle with referring to the edges of the plug.

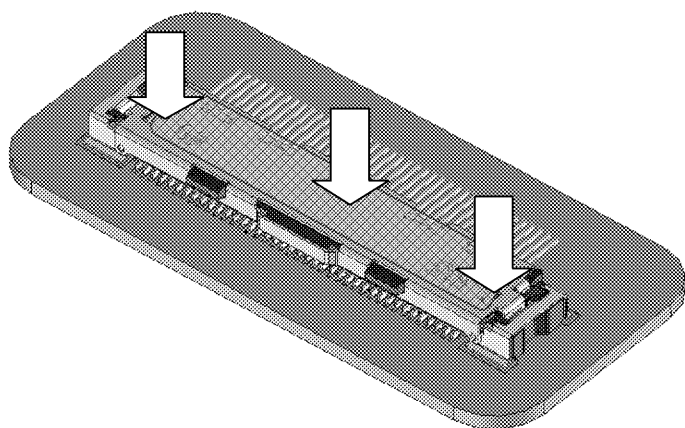


3-1-2: Slightly push the plug down to the receptacle and make sure that the plug is not shaky in depth and longitudinal directions, and then the plug is placed correctly at the center.

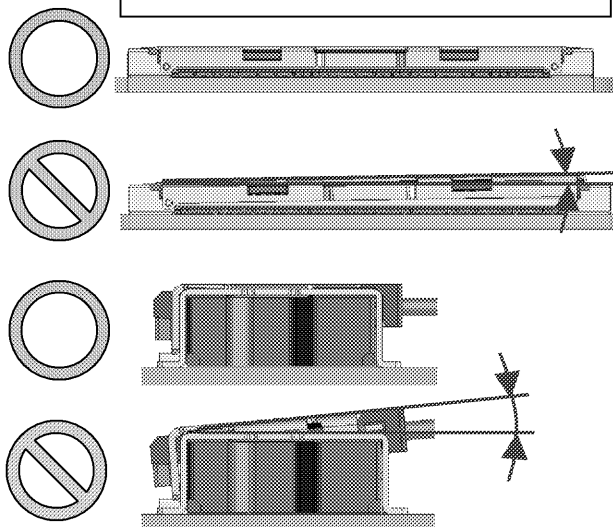


COUNT	DESCRIPTION OF REVISIONS	DESIGNED	CHECKED	DATE
△				
名称	TITLE	HRS HIROSE ELECTRIC CO., LTD. APPROVED TS. SAKATA 12. 11. 01 CHECKED TS. SAKATA 12. 11. 01 DESIGNED IO. DENPOUYA 12. 10. 31 WRITTEN IO. DENPOUYA 12. 10. 31		
	DF80 Series Handling Guideline			
技術指定書	TECHICAL SPECIFICATION	ETAD-H0685	△	1 / 3

3-1-3: Push the entire surface of the plug straight down with even force.
To prevent incomplete mating, using a flat plate to push down or to make sure the complete insertion is recommended.



Incomplete mating could cause contact failure.

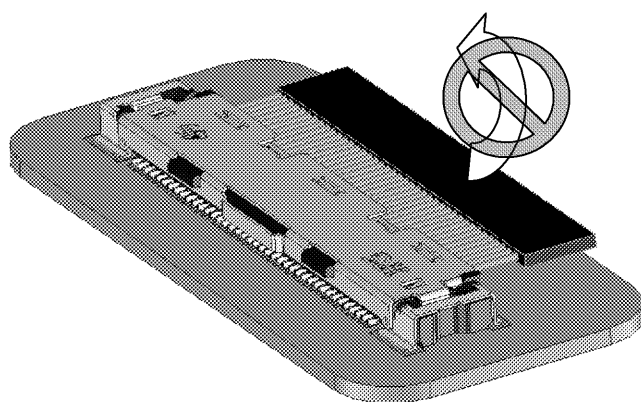


[Notes]

When you insert plug connector which attached pull-tab, be careful not to be crowded on both sides of pull-tab in connector interface.
Contact failure may happen.

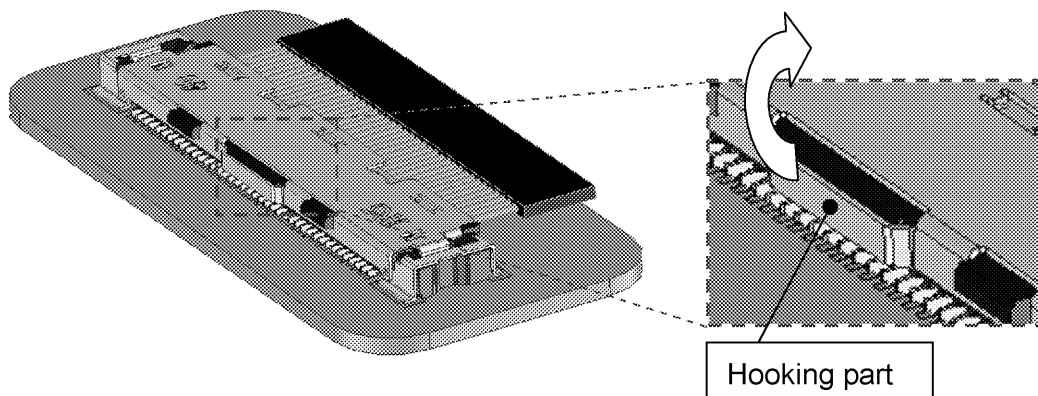
3-2.Extraction

3-2-1: Do not pull-out the plug while holding the terminal cable. It may cause a disconnection of the cable and breakage of the connector.
Please extract by the right method. 【Removing with fingers : Refer to 3-2-2 ,
Removing with pull tab : Refer to 3-2-3】



3-2-2: Removing with fingers

To un-mate the plug with your fingers, lift up the hooking part that is installed on the metal shell of the plug connector.

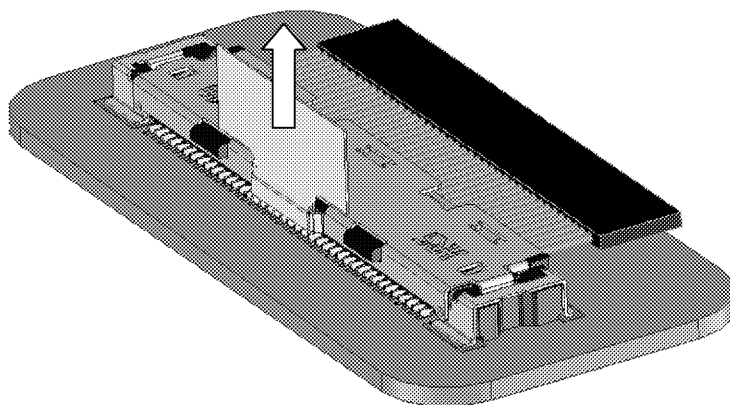


[Notes]

Please be careful when trying to manipulate the hooking part as it is made of metal and it may hurt your finger or damage your finger nail.

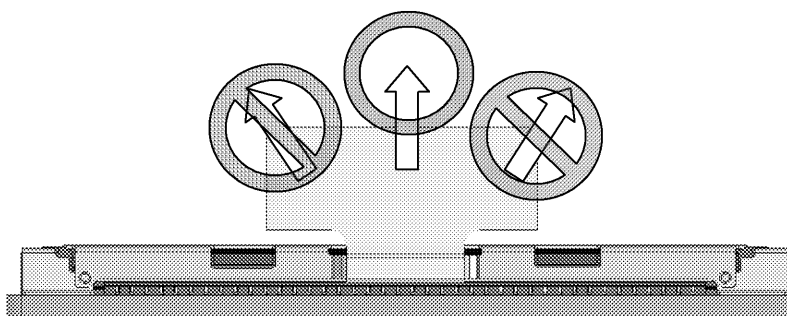
3-2-3: Removing with pull tab

Un-mate the plug by pulling-out the pull tab, installed on the plug connector, toward the direction of arrow (in a vertical direction).



[Notes]

Pull-tab may be broken, if it was pulled up diagonally.



[Notes, Precautions]

This product is not applicable for hot-swap. Insertion/extraction operation shall be done while the power is switched off.