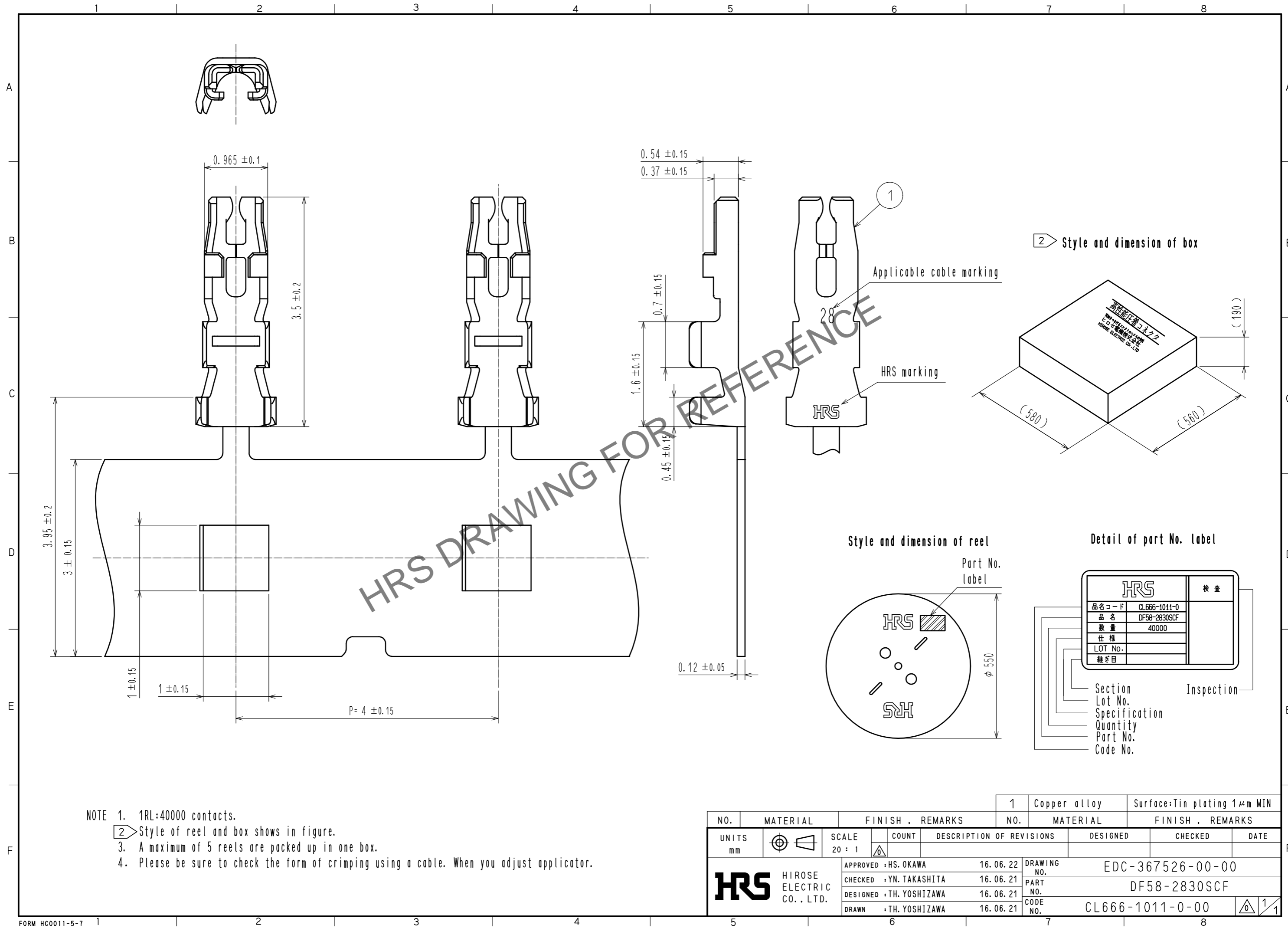
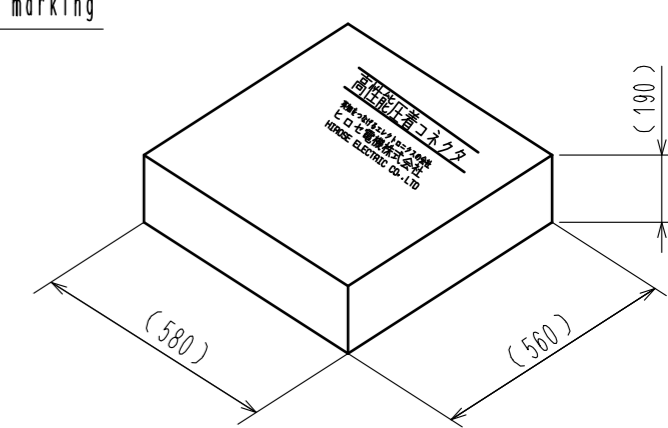


May.1.2024 Copyright 2024 HIROSE ELECTRIC CO., LTD. All Rights Reserved.
 In case of consideration for using Automotive equipment / device which demand high reliability, kindly contact our sales window correspondents.

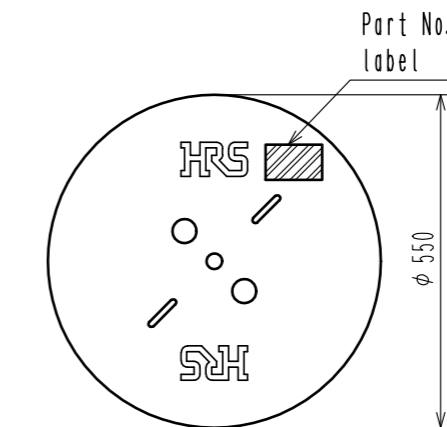


- NOTE 1. 1RL:40000 contacts.
 2. Style of reel and box shows in figure.
 3. A maximum of 5 reels are packed up in one box.
 4. Please be sure to check the form of crimping using a cable. When you adjust applicator.

2 Style and dimension of box



Style and dimension of reel



Detail of part No. label

HRS		検査
品名コード	CL666-1011-0	
品名	DF58-2830SCF	
数量	40000	
仕様		
LOT No.		
継ぎ目		

- Section
 Lot No.
 Specification
 Quantity
 Part No.
 Code No.
- Inspection

NO.	MATERIAL	FINISH . REMARKS	NO.	MATERIAL	FINISH . REMARKS
			1	Copper alloy	Surface:Tin plating 1μm MIN
UNITS mm		SCALE 20 : 1	COUNT	DESCRIPTION OF REVISIONS	DESIGNED
HRS	HIROSE ELECTRIC CO., LTD.	APPROVED : HS. OKAWA	16.06.22	DRAWING NO.	EDC-367526-00-00
		CHECKED : YN. TAKASHITA	16.06.21	PART NO.	DF58-2830SCF
		DESIGNED : TH. YOSHIZAWA	16.06.21	CODE NO.	CL666-1011-0-00
		DRAWN : TH. YOSHIZAWA	16.06.21		