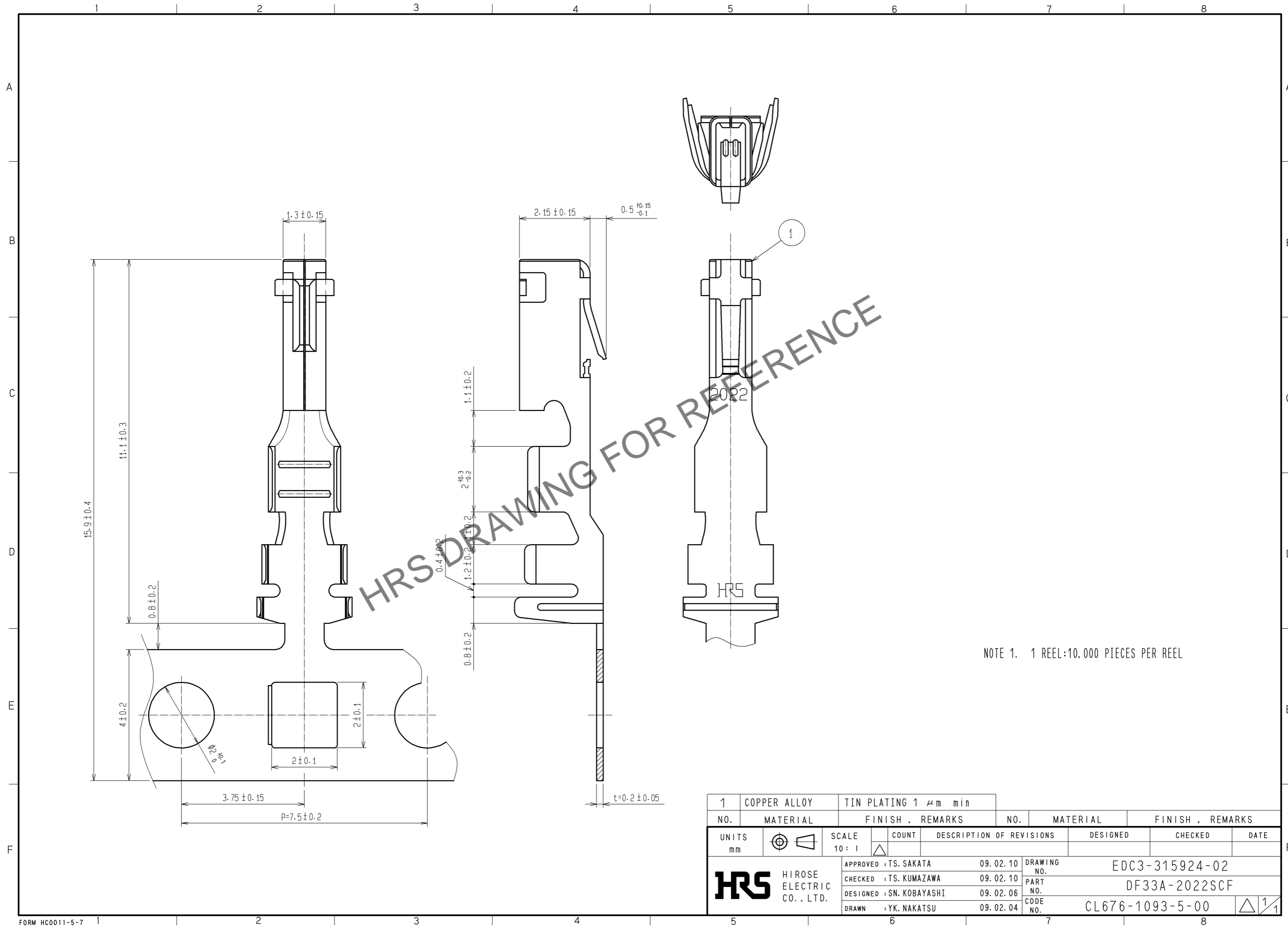


Oct.1.2024 Copyright 2024 HIROSE ELECTRIC CO., LTD. All Rights Reserved.
 In case of consideration for using Automotive equipment / device which demand high reliability, kindly contact our sales window correspondents.



NOTE 1. 1 REEL:10,000 PIECES PER REEL

1	COPPER ALLOY	TIN PLATING 1 μm min					
NO.	MATERIAL	FINISH . REMARKS	NO.	MATERIAL	FINISH . REMARKS		
UNITS		SCALE	COUNT	DESCRIPTION OF REVISIONS		DESIGNED	CHECKED
mm		10:1	△				
HRS HIROSE ELECTRIC CO., LTD.		APPROVED : TS. SAKATA	09.02.10	DRAWING NO.		EDC3-315924-02	
		CHECKED : TS. KUMAZAWA	09.02.10	PART NO.		DF33A-2022SCF	
		DESIGNED : SN. KOBAYASHI	09.02.06	CODE NO.		CL676-1093-5-00	
		DRAWN : YK. NAKATSU	09.02.04			△ 1/1	