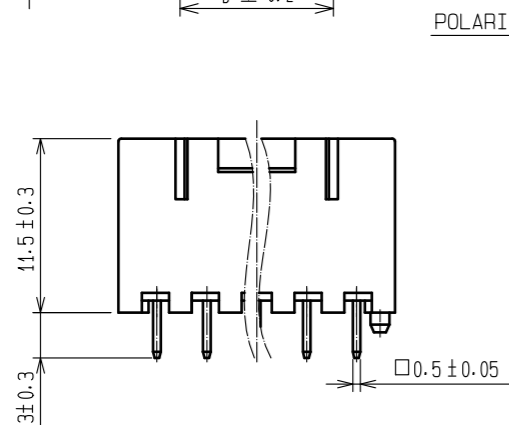
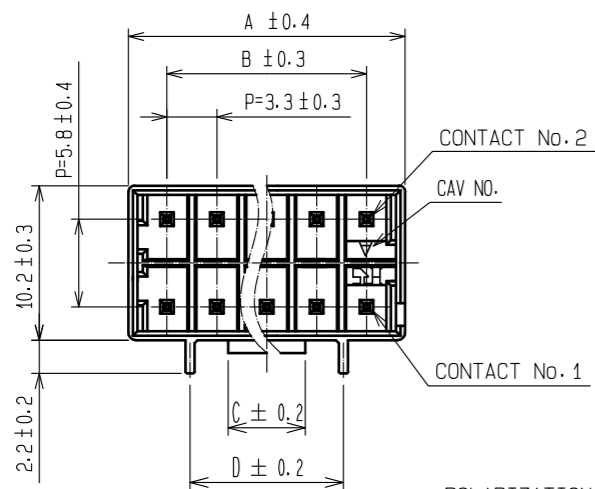
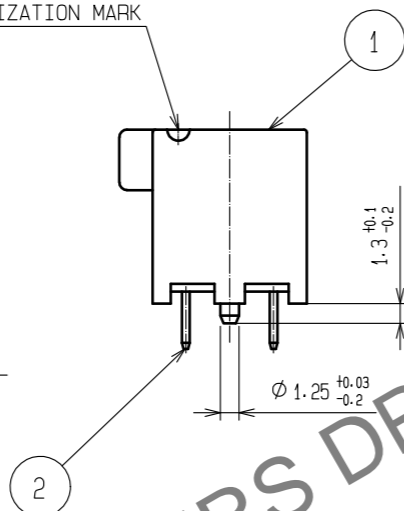


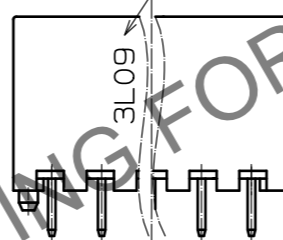
Oct.1.2024 Copyright 2024 HIROSE ELECTRIC CO., LTD. All Rights Reserved.
In case of consideration for using Automotive equipment / device which demand high reliability, kindly contact our sales window correspondents.



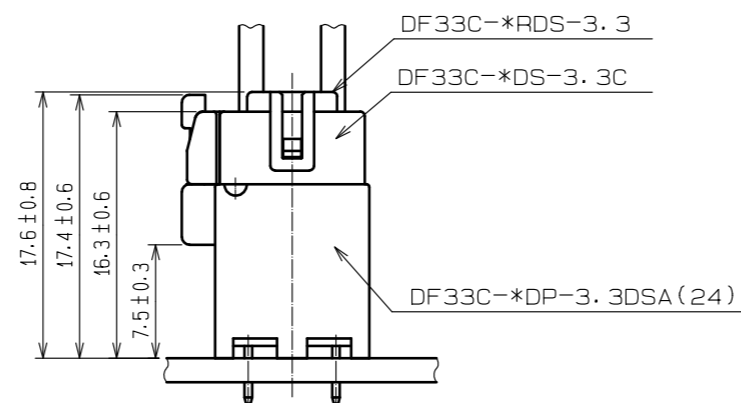
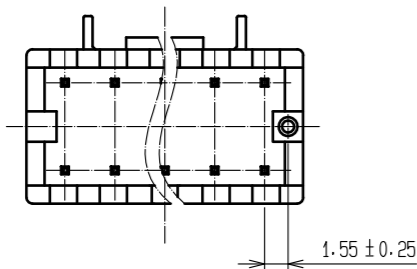
POLARIZATION MARK



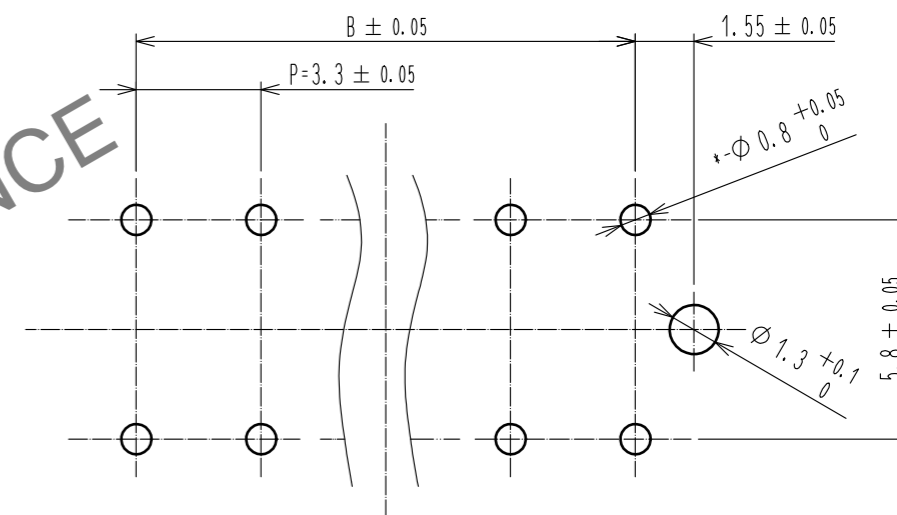
LOT No.



APPLICATION DIAGRAM



RECOMMENDED PATTERN(5:1)
(RECOMMENDED BOARD THICKNESS t=1.6mm)

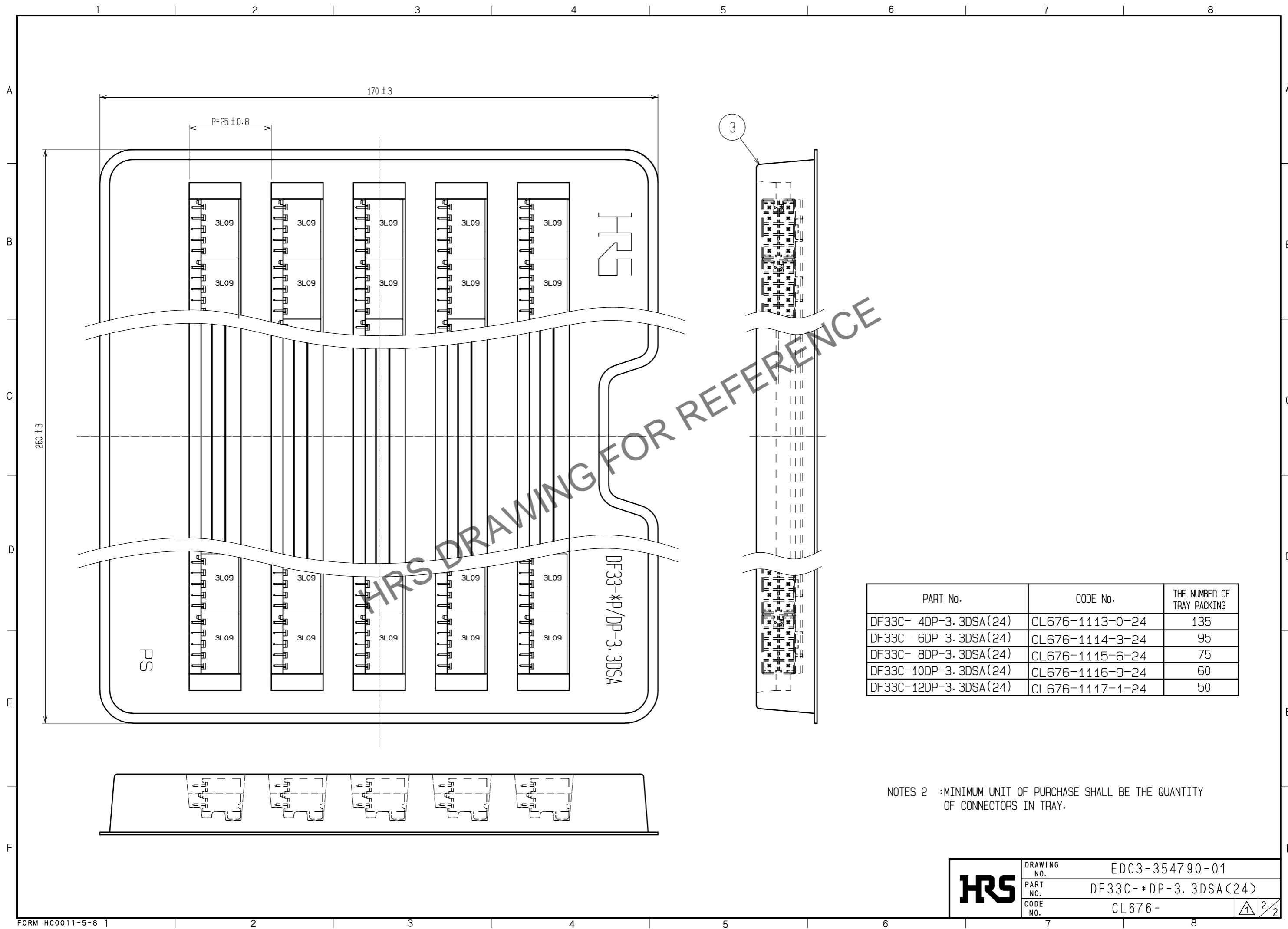


PART No.	CODE No.	THE NUMBER OF CONTACT	A	B	C	D
DF33C-4DP-3.3DSA(24)	CL676-1113-0-24	4	8.4	-	2.5	6.8
DF33C-6DP-3.3DSA(24)	CL676-1114-3-24	6	11.7	6.6	2.5	6.8
DF33C-8DP-3.3DSA(24)	CL676-1115-6-24	8	15.0	9.9	5.1	10.15
DF33C-10DP-3.3DSA(24)	CL676-1116-9-24	10	18.3	13.2	5.1	10.15
DF33C-12DP-3.3DSA(24)	CL676-1117-1-24	12	21.6	16.5	5.1	10.15

NOTES 1 :IMMERSION DEPTH INTO POTTING SOLUTION:6.5mm

1	△PBT	△WHITE UL94V-0	3	HIPS	TRAY
2			2	BRASS	SURFACE:TIN PLATED 1μm min UNDER PLATING:NICKEL PLATED 0.5μm min
NO.	MATERIAL	FINISH . REMARKS	NO.	MATERIAL	FINISH . REMARKS
UNITS mm	⊙	SCALE 2 : 1	COUNT 2	DESCRIPTION OF REVISIONS DIS-H-00012938	DESIGNED SS. YAMASAKI
				CHECKED SZ. ONO	DATE 20220323
				APPROVED :KI. AKIYAMA 20131217	DRAWING NO. EDC3-354790-01
				CHECKED :HK. UMEHARA 20131217	PART NO. DF33C-*DP-3.3DSA(24)
				DESIGNED :HT. SATO 20131217	CODE NO. CL676-
				DRAWN :MI. SAKIMURA 20131217	

Oct.1.2024 Copyright 2024 HIROSE ELECTRIC CO., LTD. All Rights Reserved.
 In case of consideration for using Automotive equipment / device which demand high reliability, kindly contact our sales window correspondents.



PART No.	CODE No.	THE NUMBER OF TRAY PACKING
DF33C- 4DP-3.3DSA(24)	CL676-1113-0-24	135
DF33C- 6DP-3.3DSA(24)	CL676-1114-3-24	95
DF33C- 8DP-3.3DSA(24)	CL676-1115-6-24	75
DF33C-10DP-3.3DSA(24)	CL676-1116-9-24	60
DF33C-12DP-3.3DSA(24)	CL676-1117-1-24	50

NOTES 2 :MINIMUM UNIT OF PURCHASE SHALL BE THE QUANTITY OF CONNECTORS IN TRAY.

HRS	DRAWING NO.	EDC3-354790-01
	PART NO.	DF33C-*DP-3.3DSA(24)
	CODE NO.	CL676-

2/2