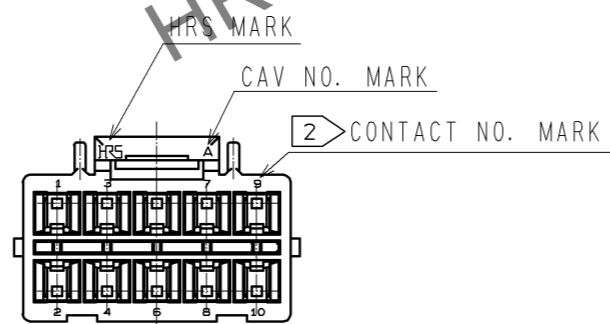
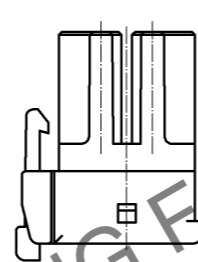
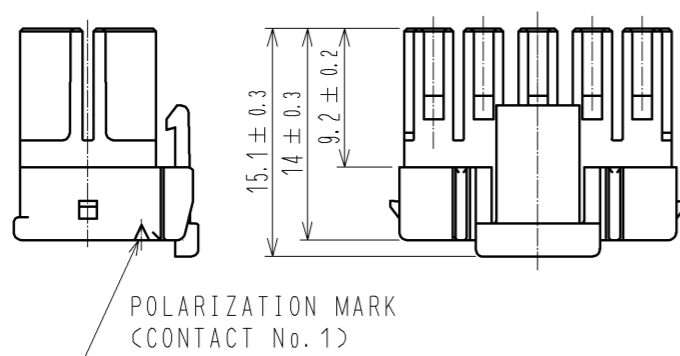
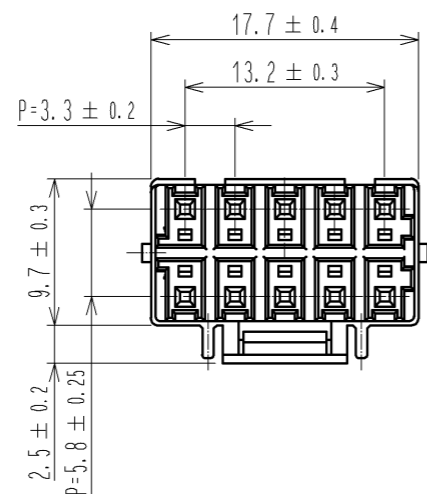


Oct.1.2024 Copyright 2024 HIROSE ELECTRIC CO., LTD. All Rights Reserved.
 In case of consideration for using Automotive equipment / device which demand high reliability, kindly contact our sales window correspondents.



HRS DRAWING FOR REFERENCE

NOTES 1 : 100 CONNECTORS ARE IN ONE PACK.
 2 : CONTACT No. 5 ARE NOT INDICATED.

1	PBT	WHITE, UL94V-0					
NO.	MATERIAL	FINISH . REMARKS	NO.	MATERIAL	FINISH . REMARKS		
UNITS mm		SCALE 2 : 1	COUNT 	DESCRIPTION OF REVISIONS		DESIGNED	CHECKED
HRS HIROSE ELECTRIC CO., LTD.		APPROVED : KI. AKIYAMA	13. 03. 11	DRAWING NO.		EDC3-338397-01	
		CHECKED : TS. KUMAZAWA	13. 03. 11	PART NO.		DF33C-10DS-3. 3C	
		DESIGNED : HT. SATO	13. 03. 11	CODE NO.		CL676-1122-1-00	
		DRAWN : MI. SAKIMURA	13. 03. 08			1/1	