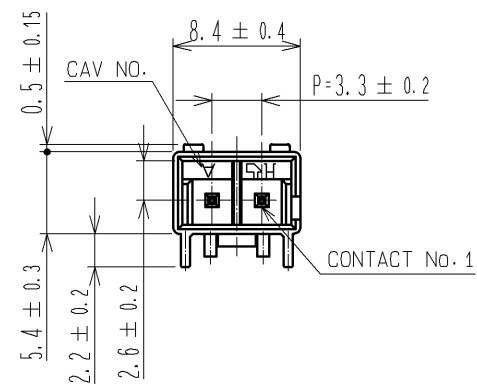
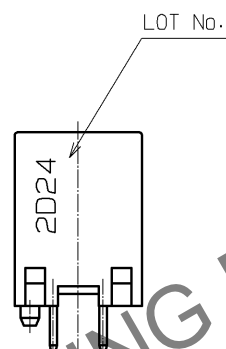
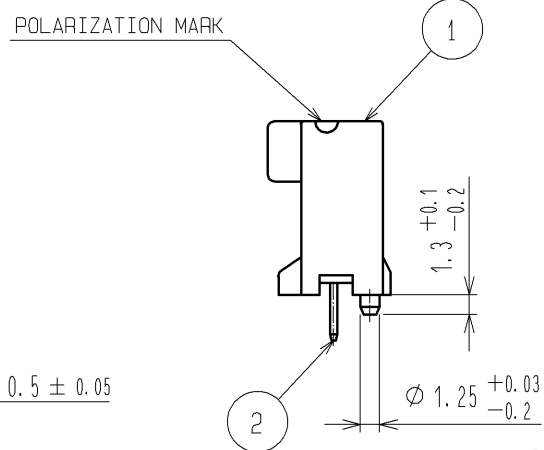
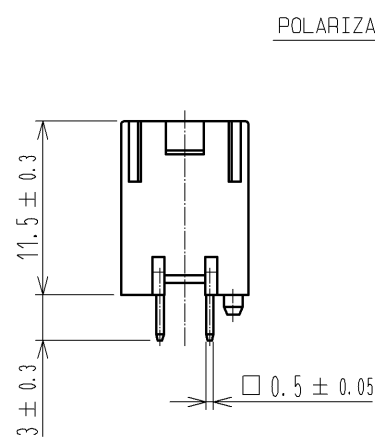
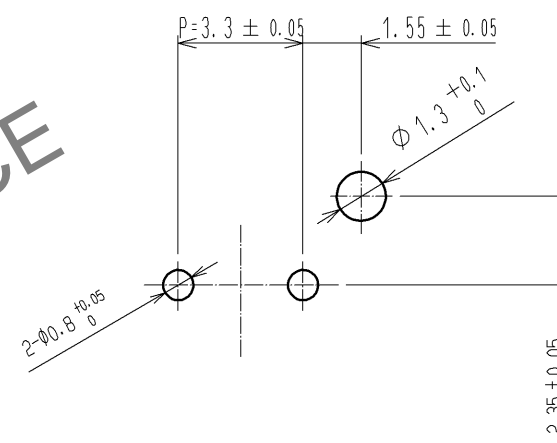


Oct.1.2024 Copyright 2024 HIROSE ELECTRIC CO., LTD. All Rights Reserved.
In case of consideration for using Automotive equipment / device which demand high reliability, kindly contact our sales window correspondents.

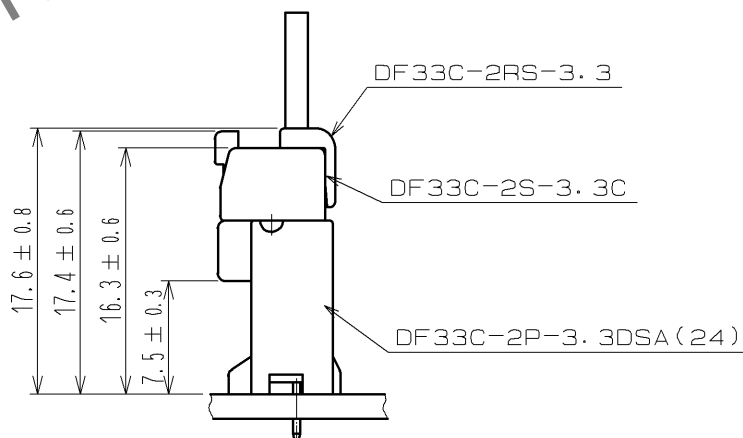
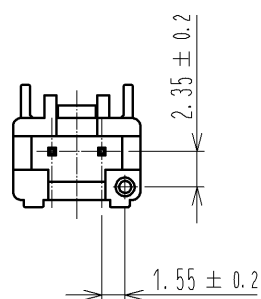


RECOMMENDED PATTERN(5:1)
(RECOMMENDED BOARD THICKNESS t=1.6mm)



HRS DRAWING FOR REFERENCE

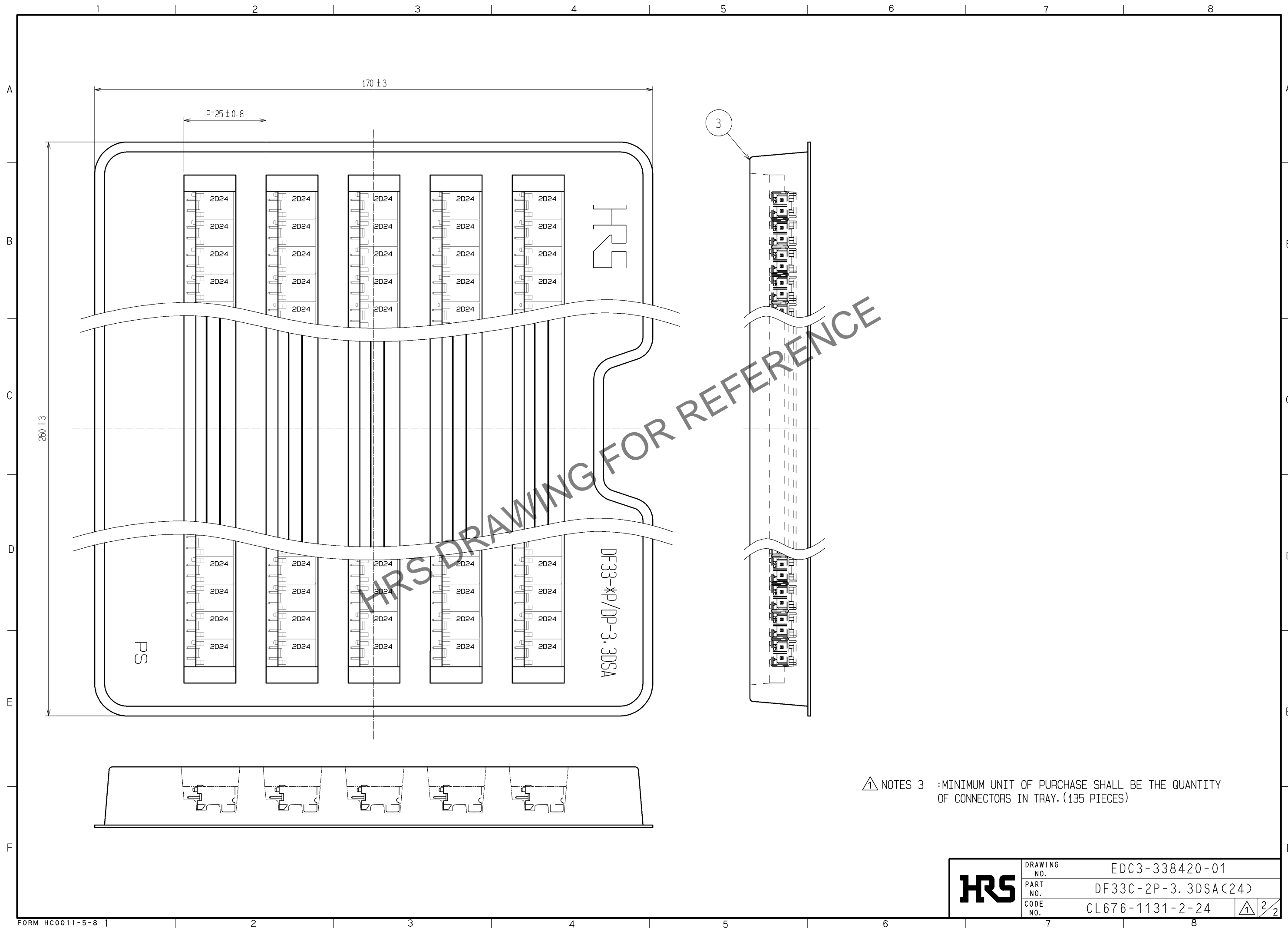
APPLICATION DIAGRAM



NOTES 1 :IMMERSION DEPTH INTO POTTING SOLUTION:6.5mm
 ⚠ 2 :FORCEFULLY UNMATING THE CONNECTORS WILL RISK DAMAGING THEM; THEREFORE,WHEN IT IS DIFFICULT TO UNMATE A CONNECTOR, FIRST GENTLY PRESS DOWN ON IT, THEN RELEASE THE LOCK TO ALLOW REMOVAL.

1	PBT	WHITE, UL94V-0	3	HIPS	TRAY		
2	BRASS		2	BRASS	SURFACE:TIN PLATED 1μm min UNDER PLATING:NICKEL PLATED 0.5μm min		
NO.	MATERIAL	FINISH, REMARKS	NO.	MATERIAL	FINISH, REMARKS		
UNITS mm		SCALE 2:1	COUNT 2	DESCRIPTION OF REVISIONS DIS-H-008766	DESIGNED HT. SATO	CHECKED TS. FUKUSHIMA	DATE 14.05.19
HRS HIROSE ELECTRIC CO., LTD.		APPROVED : KI. AKIYAMA 12.07.24	DRAWING NO. EDC3-338420-01				
		CHECKED : HK. UMEHARA 12.07.24	PART NO. DF33C-2P-3.3DSA(24)				
		DESIGNED : HT. SATO 12.07.24	CODE NO. CL676-1131-2-24				
		DRAWN : MI. SAKIMURA 12.07.23					

Oct.1.2024 Copyright 2024 HIROSE ELECTRIC CO., LTD. All Rights Reserved.
In case of consideration for using Automotive equipment / device which demand high reliability, kindly contact our sales window correspondents.



△ NOTES 3 : MINIMUM UNIT OF PURCHASE SHALL BE THE QUANTITY OF CONNECTORS IN TRAY. (135 PIECES)

HRS	DRAWING NO.	EDC3-338420-01
	PART NO.	DF33C-2P-3.3DSA(24)
	CODE NO.	CL676-1131-2-24
		△ 2/2