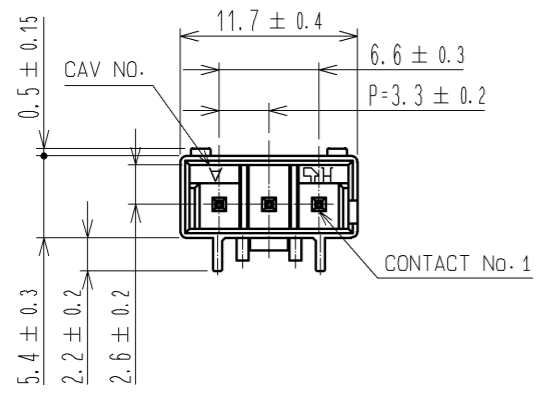
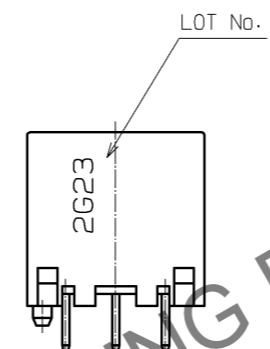
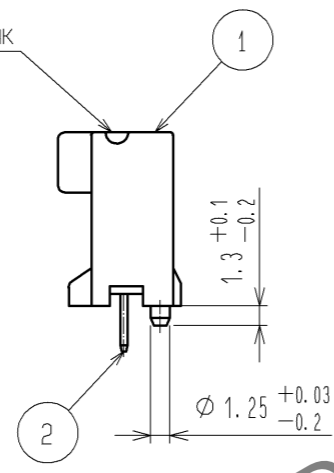
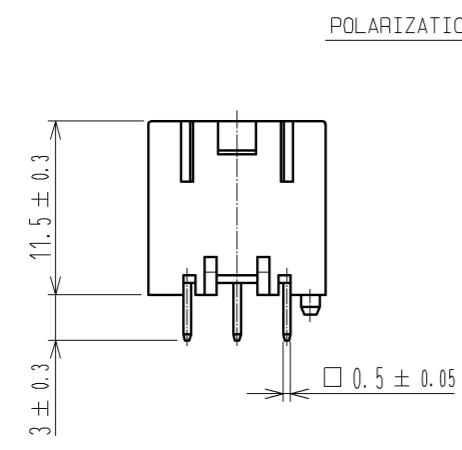
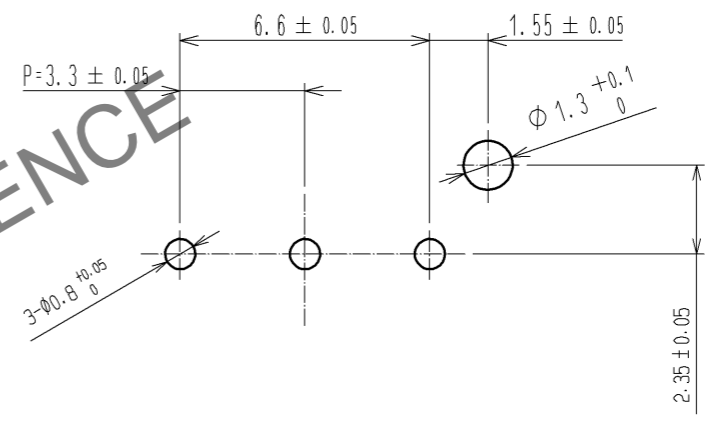


Oct.1.2024 Copyright 2024 HIROSE ELECTRIC CO., LTD. All Rights Reserved.  
In case of consideration for using Automotive equipment / device which demand high reliability, kindly contact our sales window correspondents.

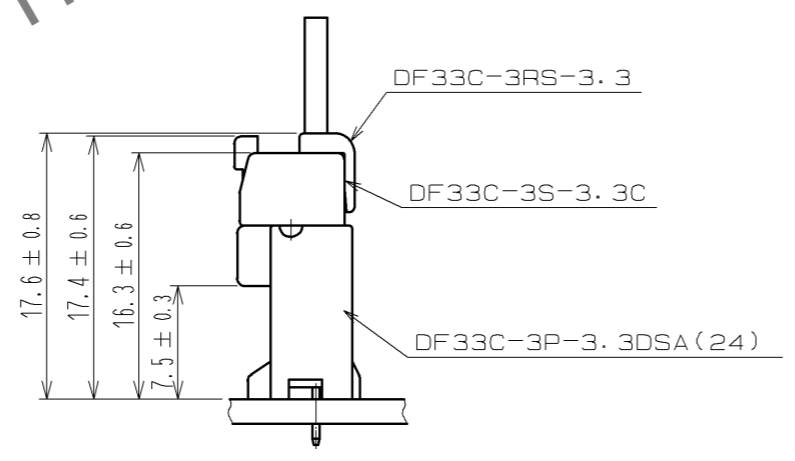
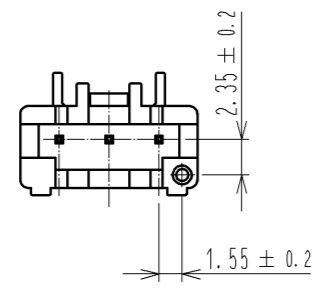


RECOMMENDED PATTERN(5:1)  
(RECOMMENDED BOARD THICKNESS t=1.6mm)



HRS DRAWING FOR REFERENCE

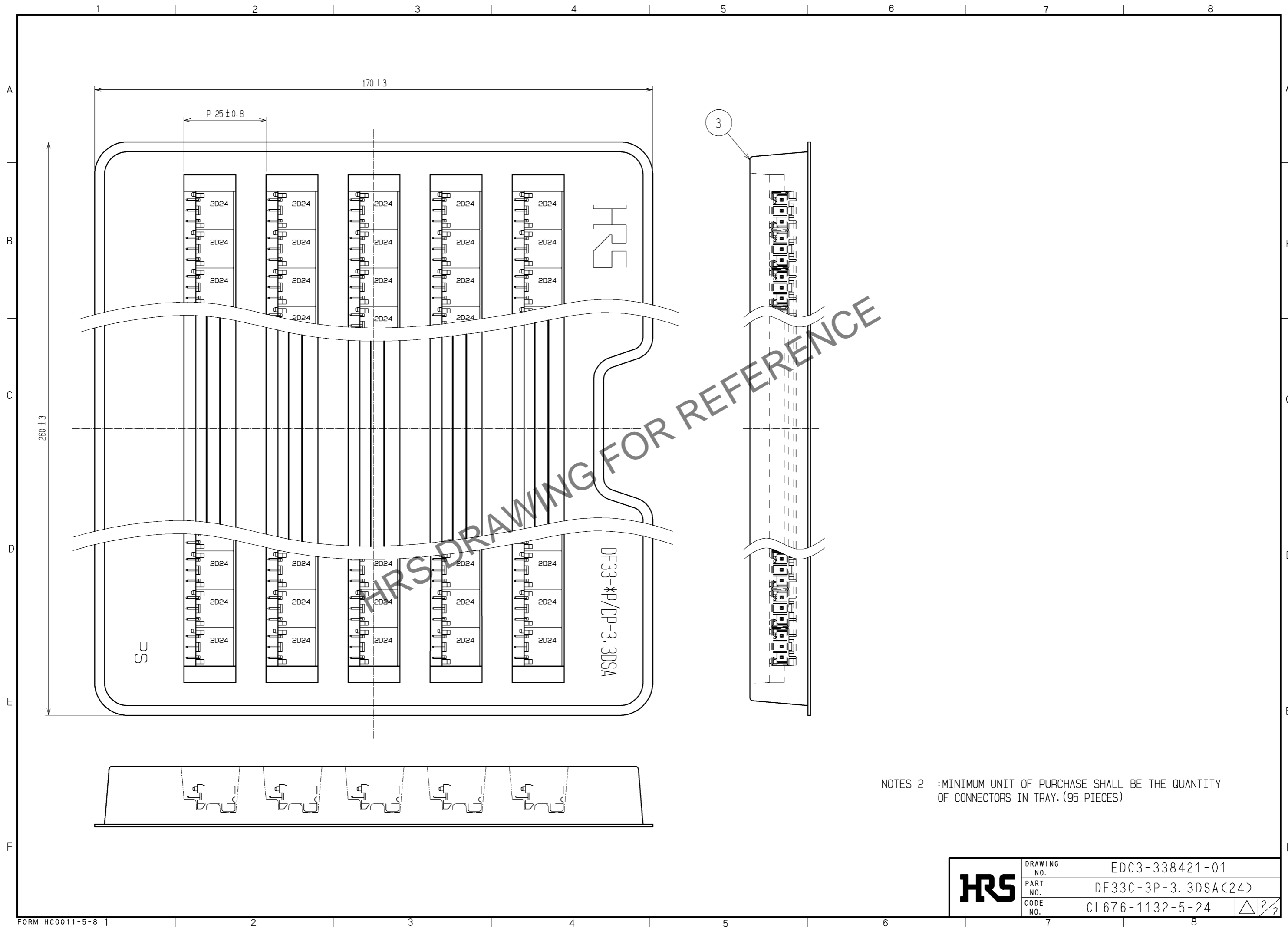
APPLICATION DIAGRAM



NOTES 1 :IMMERSION DEPTH INTO POTTING SOLUTION:6.5mm

1	PBT	WHITE, UL94V-0	3	HIPS	TRAY
2	BRASS		2	BRASS	SURFACE:TIN PLATED 1μm min UNDER PLATING:NICKEL PLATED 0.5μm min
NO.	MATERIAL	FINISH . REMARKS	NO.	MATERIAL	FINISH . REMARKS
UNITS	⊙	SCALE	△	DESCRIPTION OF REVISIONS	
mm		2 : 1		DESIGNED	CHECKED
		APPROVED : KI. AKIYAMA	12.07.24	DRAWING NO. EDC3-338421-01	
HIROSE ELECTRIC CO., LTD.		CHECKED : HK. UMEHARA	12.07.24	PART NO. DF33C-3P-3.3DSA(24)	
		DESIGNED : HT. SATO	12.07.24	CODE NO. CL676-1132-5-24	
		DRAWN : MI. SAKIMURA	12.07.24	1/2	

Oct.1.2024 Copyright 2024 HIROSE ELECTRIC CO., LTD. All Rights Reserved.  
In case of consideration for using Automotive equipment / device which demand high reliability, kindly contact our sales window correspondents.



NOTES 2 :MINIMUM UNIT OF PURCHASE SHALL BE THE QUANTITY OF CONNECTORS IN TRAY. (95 PIECES)

<b>HRS</b>	DRAWING NO.	EDC3-338421-01
	PART NO.	DF33C-3P-3, 3DSA(24)
	CODE NO.	CL676-1132-5-24

△ 2/2