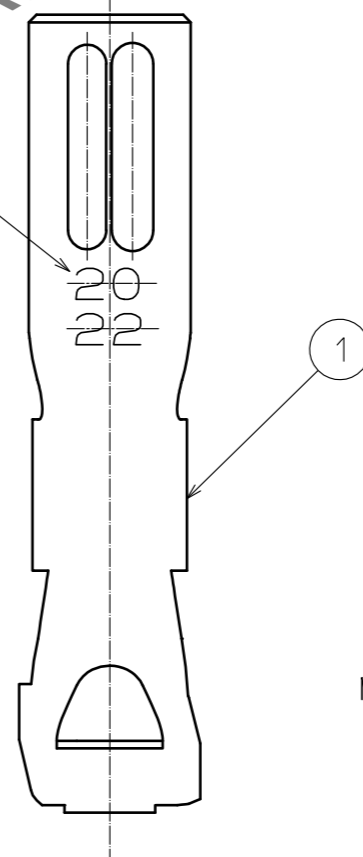
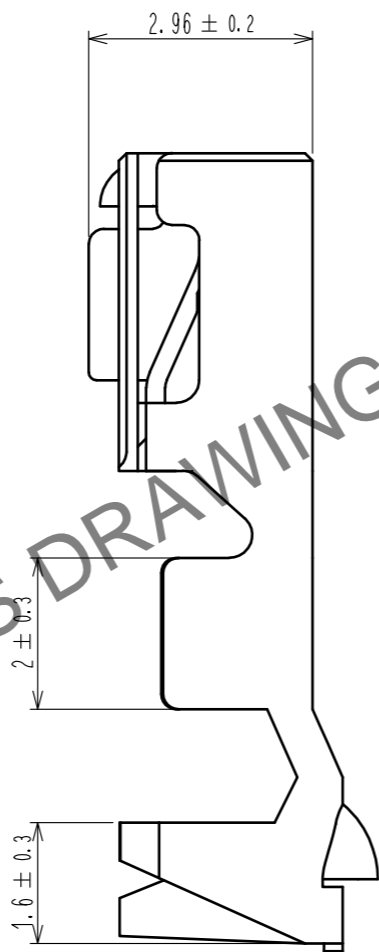
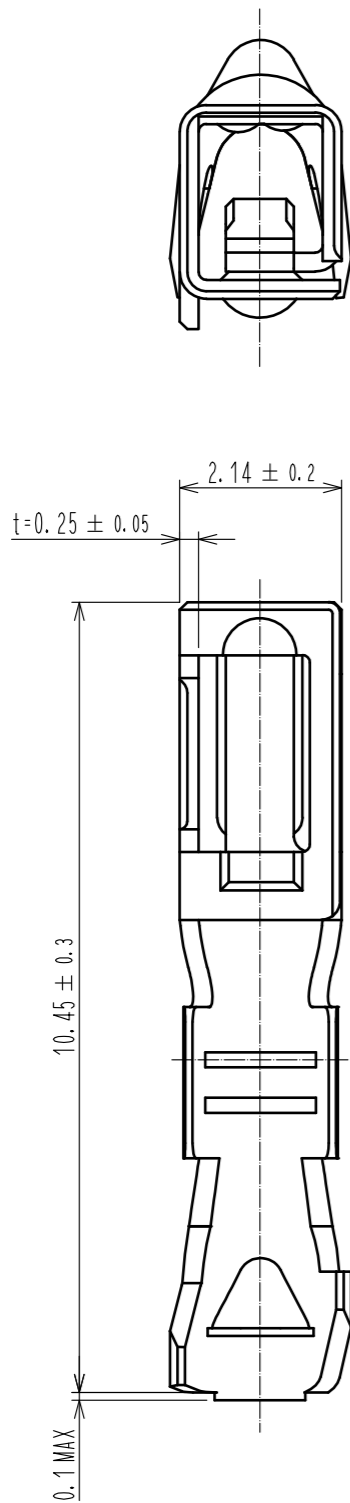


Aug.1.2024 Copyright 2024 HIROSE ELECTRIC CO., LTD. All Rights Reserved.
 In case of consideration for using Automotive equipment / device which demand high reliability, kindly contact our sales window correspondents.



Note 1. Per pack:100 pieces.

NO.	MATERIAL	FINISH . REMARKS	NO.	MATERIAL	FINISH . REMARKS			
			1	Copper alloy	Tin plating 1 μ m MIN			
UNITS	SCALE	COUNT	DESCRIPTION OF REVISIONS			DESIGNED	CHECKED	DATE
mm	10:1	△						
HRS HIROSE ELECTRIC CO., LTD.			APPROVED : SJ. OKAMURA	20210513	DRAWING NO. EDC-393066-00-00			
			CHECKED : SZ. ONO	20210513	PART NO. DF63A-2022SC			
			DESIGNED : TS. KUMAZAWA	20210513	CODE NO. CL0680-0649-0-00			
			DRAWN : TS. KUMAZAWA	20210513	1/1			