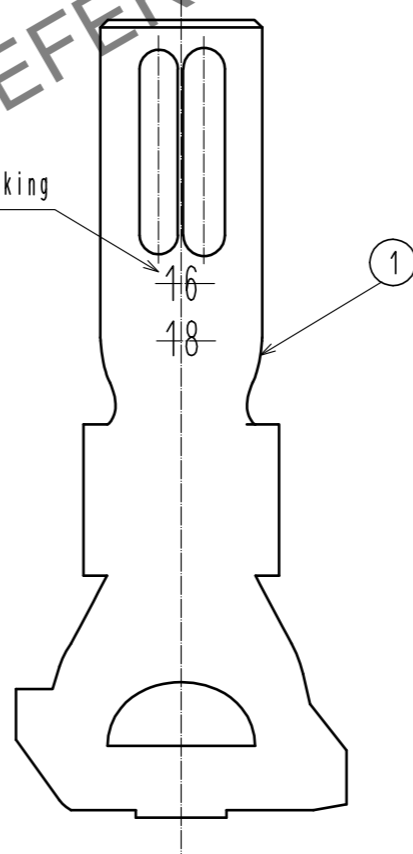
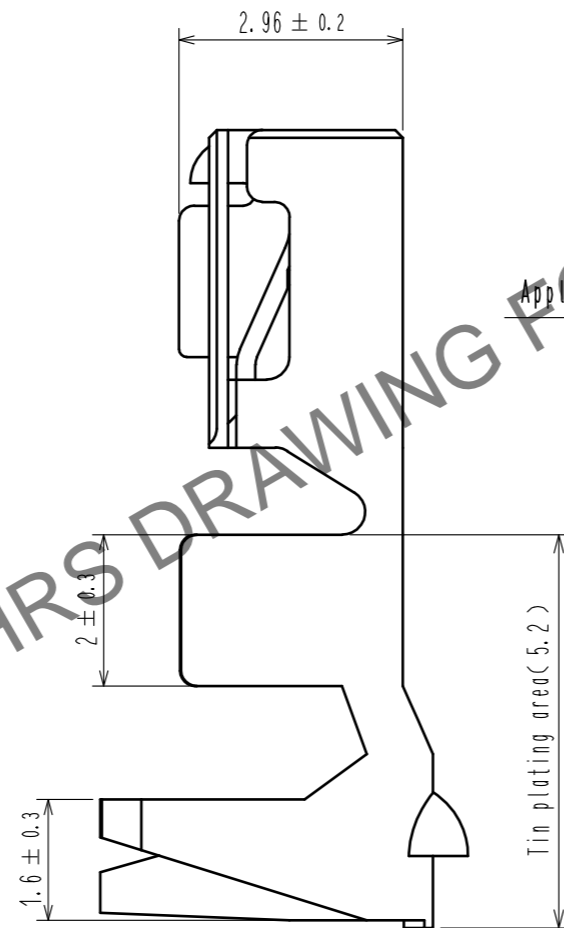
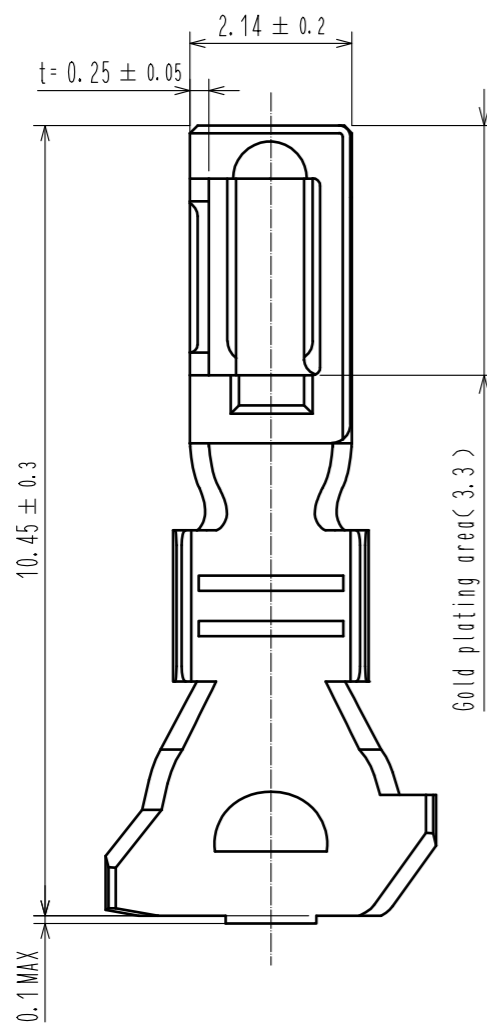
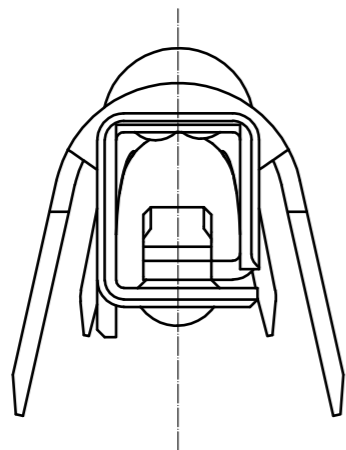


Aug.1.2024 Copyright 2024 HIROSE ELECTRIC CO., LTD. All Rights Reserved.
 In case of consideration for using Automotive equipment / device which demand high reliability, kindly contact our sales window correspondents.



HRS DRAWING FOR REFERENCE

NOTE 1. Per pack : 100 Pieces.

NO.		MATERIAL		FINISH . REMARKS		NO.		MATERIAL		FINISH . REMARKS	
		1		Copper alloy						Contact area: Gold plating 0.2 μm MIN Barrel area: Tin plating 1 μm MIN Under area: Nickel plating 1 μm MIN	
UNITS mm		SCALE 10:1	COUNT 	DESCRIPTION OF REVISIONS			DESIGNED	CHECKED	DATE		
HRS HIROSE ELECTRIC CO., LTD.		APPROVED : SJ. OKAMURA	20210513	DRAWING NO. EDC-393067-00-00							
		CHECED : SZ. ONO	20210513	PART NO. DF63A-1618SCA							
		DESIGNED : TS. KUMAZAWA	20210513	CODE NO. CL0680-0650-0-00							
		DRAWN : TS. KUMAZAWA	20210513								