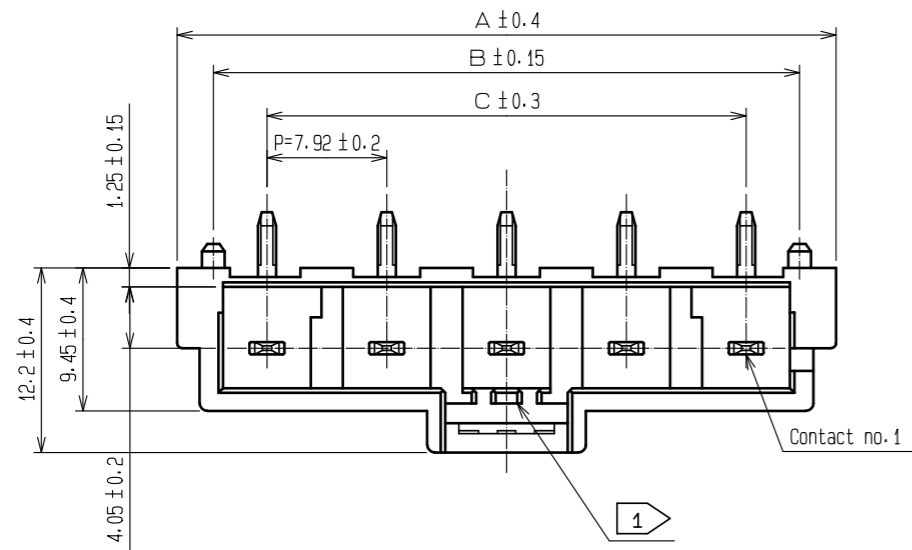
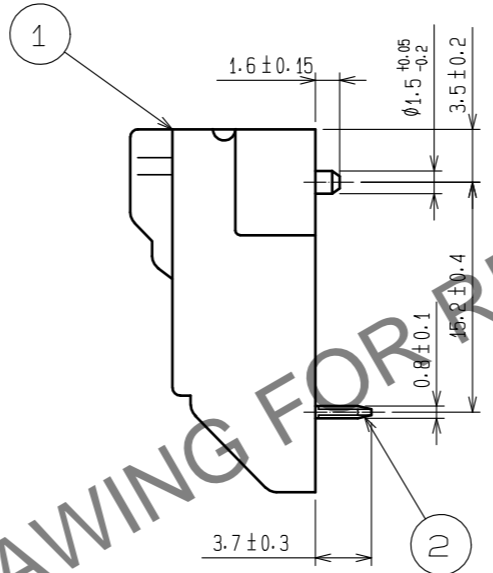
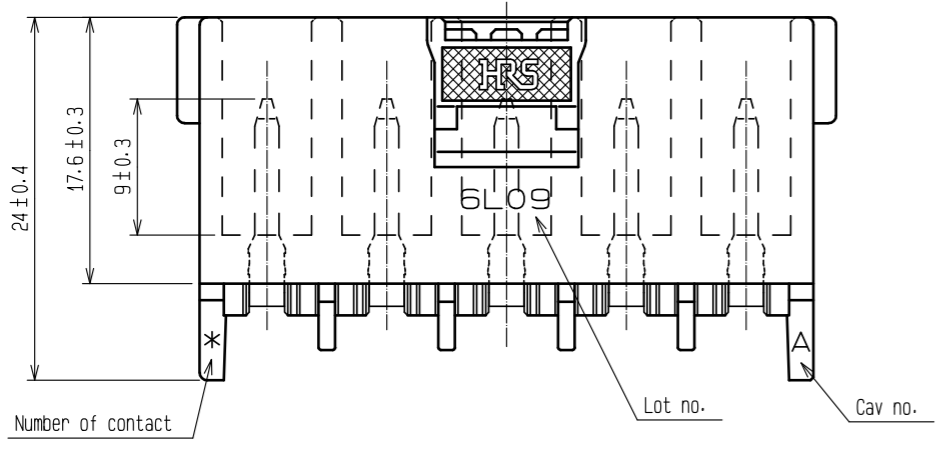
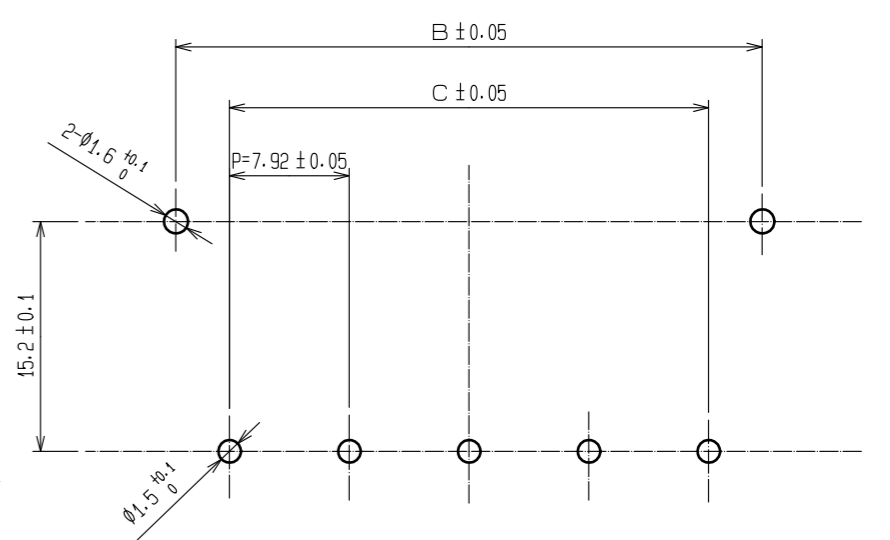


Sep.1.2024 Copyright 2024 HIROSE ELECTRIC CO., LTD. All Rights Reserved.  
In case of consideration for using Automotive equipment / device which demand high reliability, kindly contact our sales window correspondents.

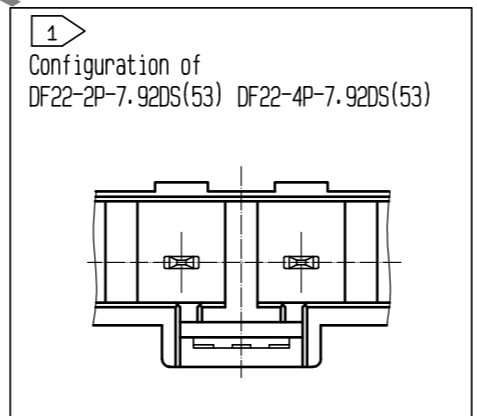
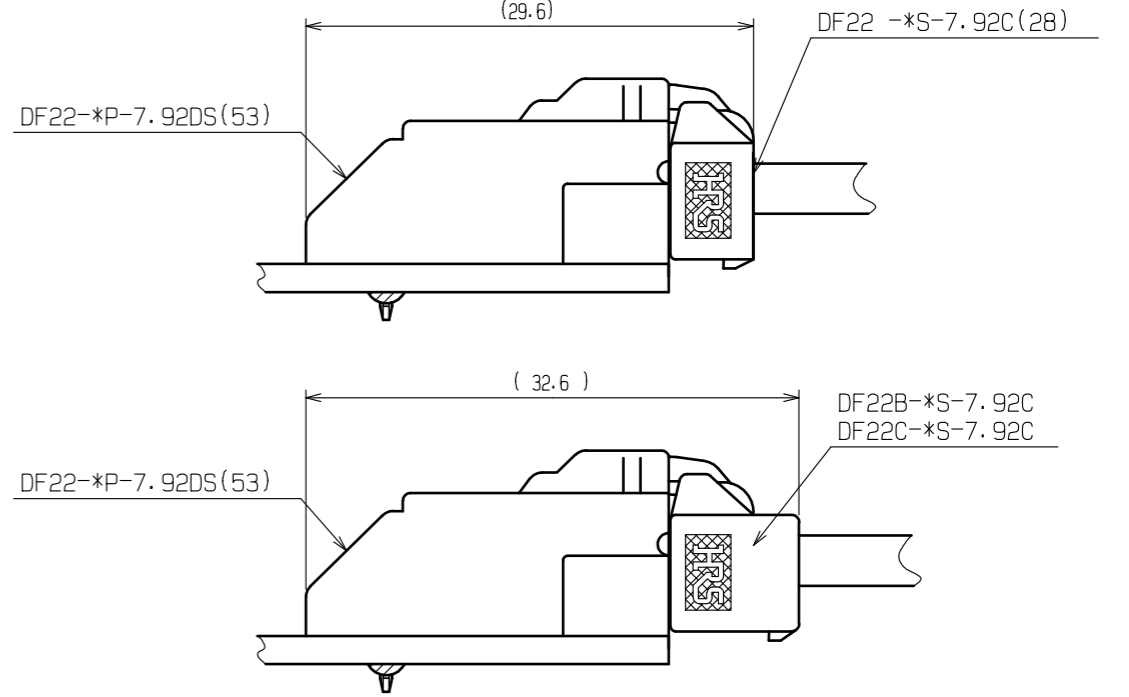


Part no.	Code no.	Number of contact	A	B	C
DF22-2P-7.92DS(53)	CL680-1008-5-53	2	19.80	15.00	7.92
DF22-3P-7.92DS(53)	CL680-1009-8-53	3	27.72	22.92	15.84
DF22-4P-7.92DS(53)	CL680-1010-7-53	4	35.64	30.84	23.76
DF22-5P-7.92DS(53)	CL680-1011-0-53	5	43.56	38.76	31.68

Recommended PCB layout (PCB thickness:1.6mm)



Application diagram



Notes 1) TWO AND FOUR CONTACTS ARE DIFFERENT SHAPE AS SHOWN.  
2. UL (File no. E52653)  
C-UL (File no. E52653)  
TUV (Certificate no. R9950703)



3:PER PACK:100PIECES

1	Polyamide	Natural (beige), UL94V-0	2	Copper alloy	Contact area:Gold plating 0.2µm min Lead area:Tin plating 1µm min Under plating:Nickel plating 1µm min Other:Nickel plating 1µm min			
NO.	MATERIAL	FINISH . REMARKS	NO.	MATERIAL	FINISH . REMARKS			
UNITS	mm	SCALE	2 : 1	COUNT	DESCRIPTION OF REVISIONS	DESIGNED	CHECKED	DATE
APPROVED : HS. OKAWA		20200309		DRAWING NO.		EDC-163718-53-00		
CHECKED : SZ. ONO		20200309		PART NO.		DF22-*P-7.92DS(53)		
DESIGNED : SN. MIWA		20200309		CODE NO.		CL680-		
DRAWN : DS. HIROWATARI		20200306		NO.		1/2		

Sep.1.2024 Copyright 2024 HIROSE ELECTRIC CO., LTD. All Rights Reserved.  
In case of consideration for using Automotive equipment / device which demand high reliability, kindly contact our sales window correspondents.

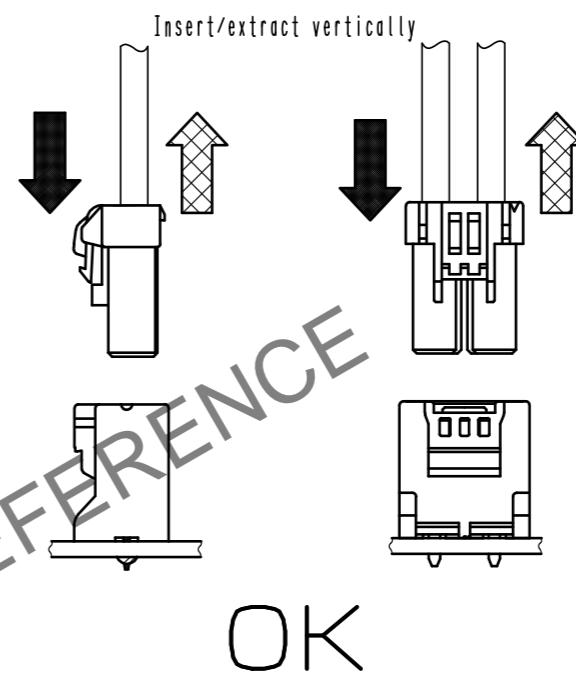
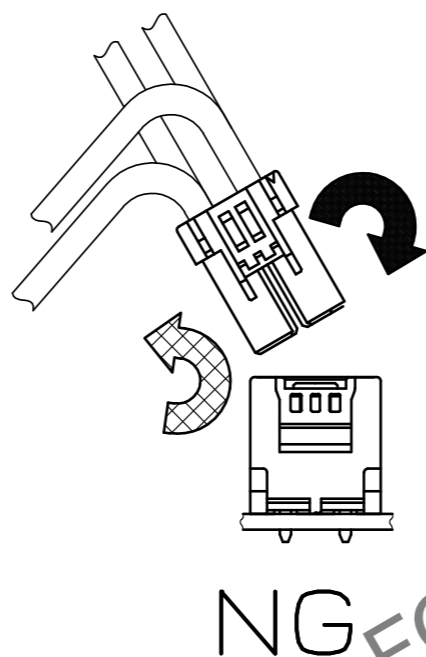
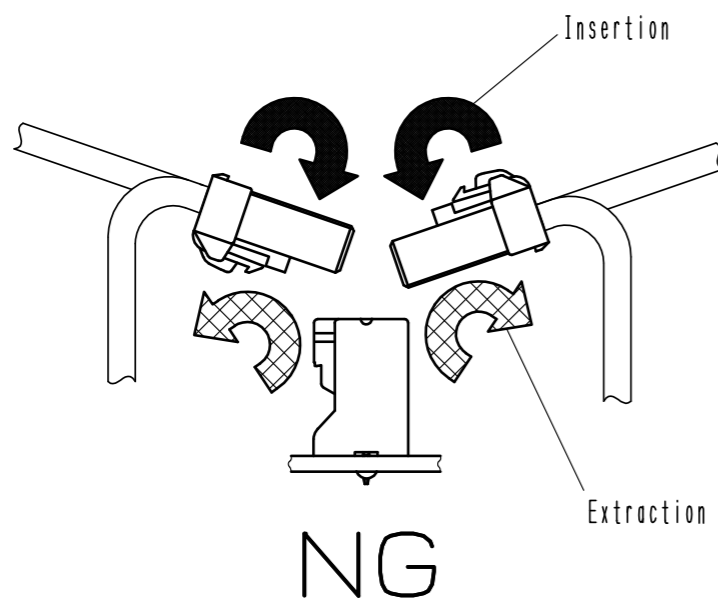
## Precautions

### Notification for Insertion/Extraction

- 1) Please insert/extract the crimping socket straight to the mating connector.  
Insertion/Extraction at tilted angles applies load concentration to the connector end and may cause deformation (at connection area, socket and header case, etc). There is a firing risk using this kind of deformed connector.



Insertion/Extraction

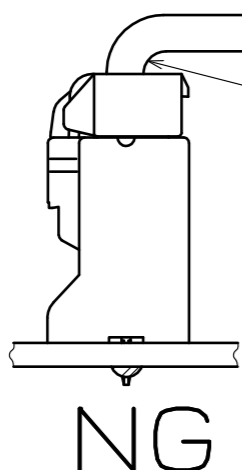


- 2) When it is hard to extract, please lightly insert the connector beforehand and then pull it with releasing the lock.  
Forced extraction has a risk of connector breakage.

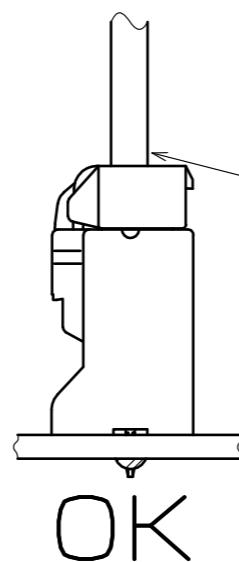
### Notification of wiring



- 1) When using a thick cable, short cable length and bending close to the connector end, these load concentrations may cause deformation.  
Please note that there is a firing risk using a deformed connector.  
When installing, please refrain from stress concentration such as cable bending close to the connector end or cable twisting.



Stress concentration:  
Cable bending close to connector



No stress concentration:  
No cable bending close to connector



- 2) Since this product uses thick wires, a larger load is applied to the connector when inserting/extracting or routing the wires.  
Please use a retainer to reduce the load on the connector.

**HRS**

DRAWING NO.	EDC-163718-53-00
PART NO.	DF22-*P-7.92DS(53)
CODE NO.	CL680-

2/2