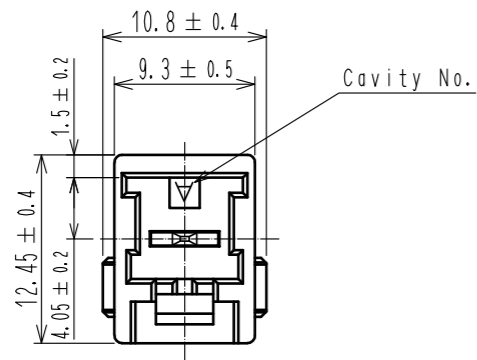
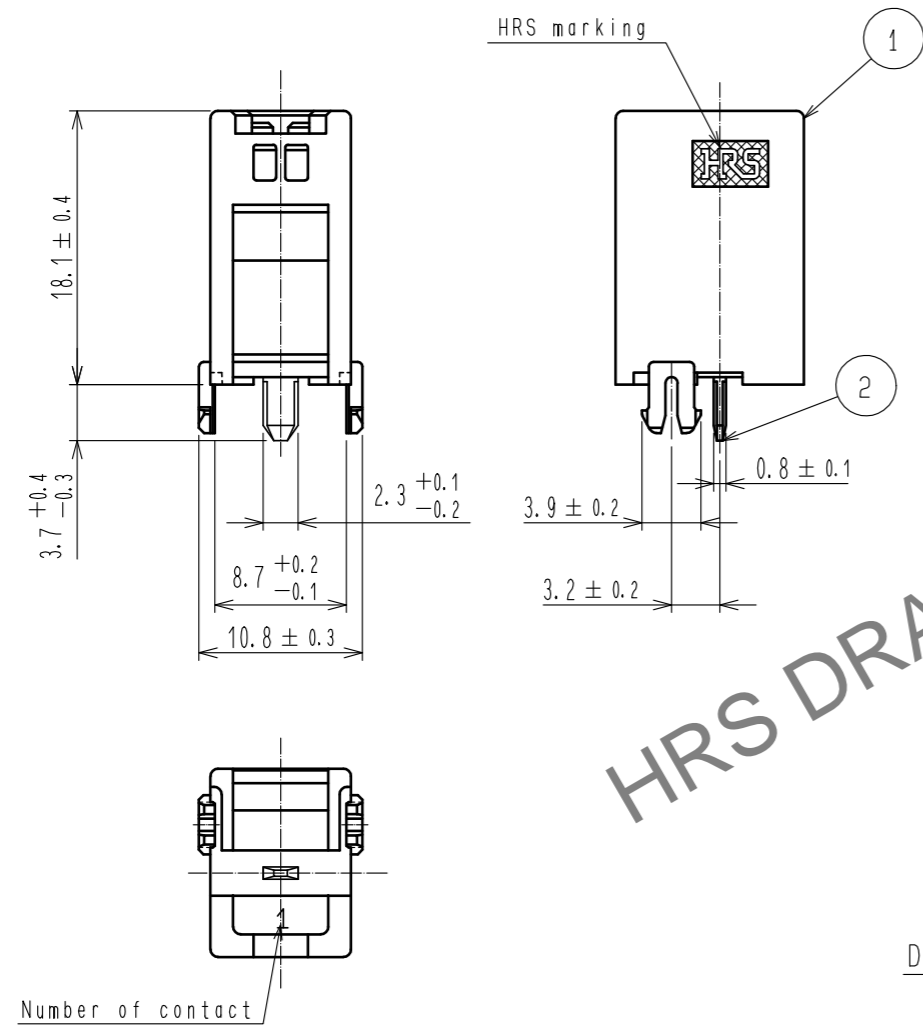
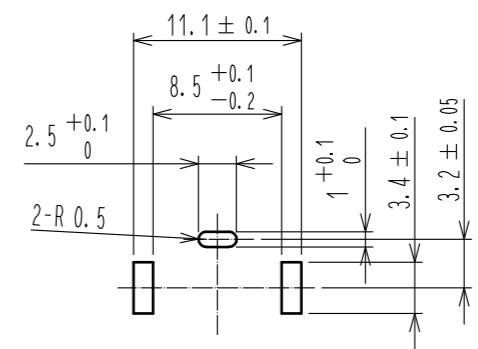


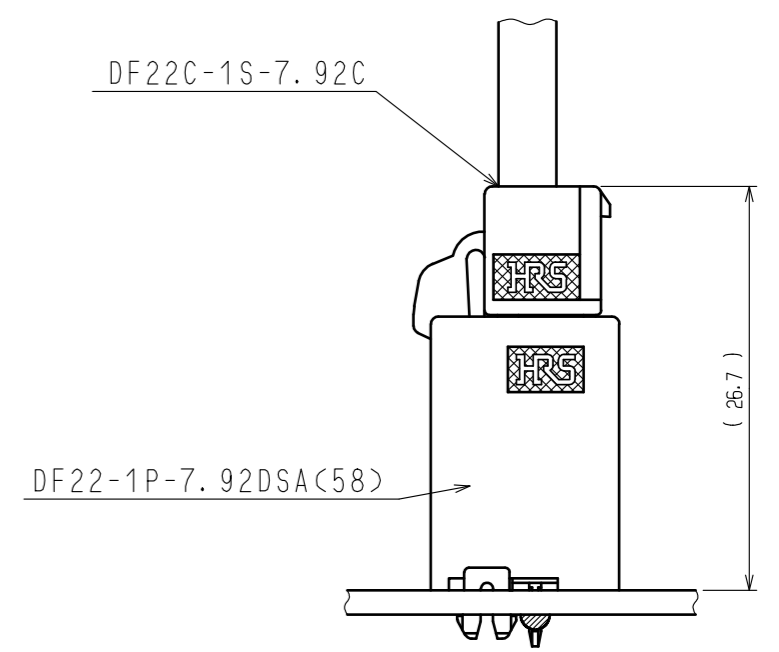
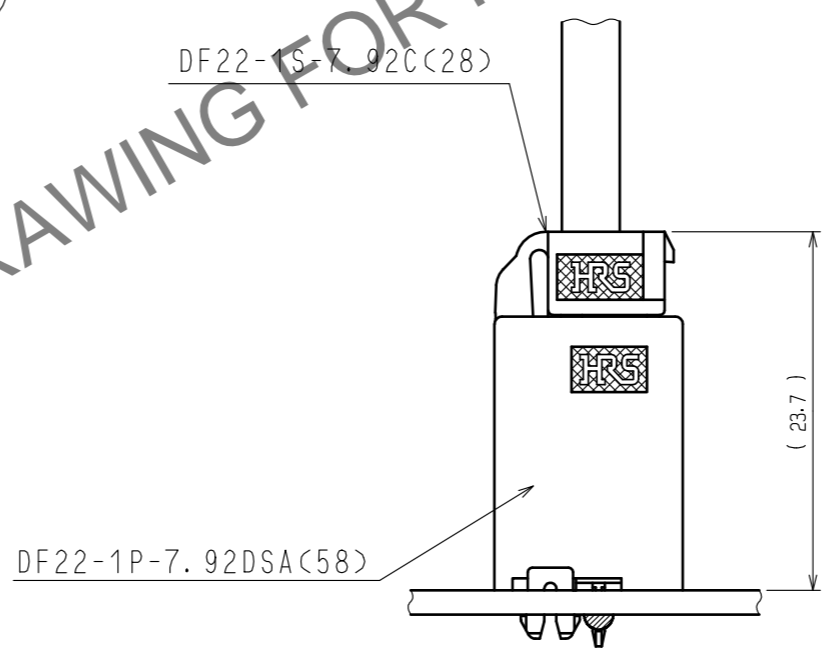
Sep.1.2024 Copyright 2024 HIROSE ELECTRIC CO., LTD. All Rights Reserved.
In case of consideration for using Automotive equipment / device which demand high reliability, kindly contact our sales window correspondents.



Recommended PCB layout



Application diagram



NOTE 1. UL(File No. E52653)
C-UL(File No. E52653)
TÜV(File No. R9950703) authorization article.



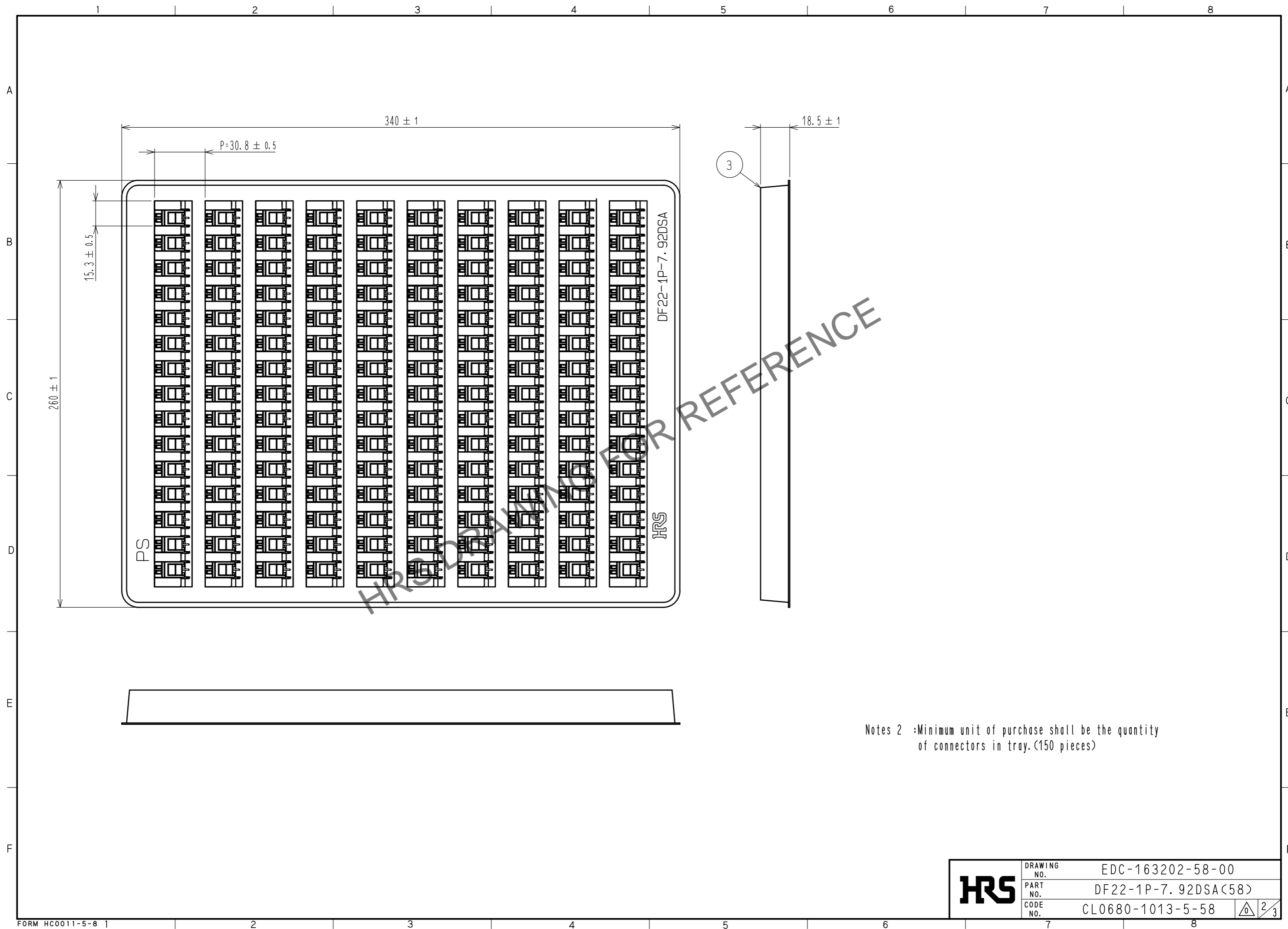
3	PS	Tray, White
2	Copper alloy	Contact area:Gold plating 0.2μm min. Lead area:Tin plating 1μm min. Under plating:Nickel plating 1μm min. Othre:Nickel plating 1μm min.

NO.	MATERIAL	FINISH . REMARKS	NO.	MATERIAL	FINISH . REMARKS
1	Polyamide	Natural(Beige). UL94V-0			

UNITS	SCALE	COUNT	DESCRIPTION OF REVISIONS	DESIGNED	CHECKED	DATE
mm	2 : 1	△				

HRS HIROSE ELECTRIC CO., LTD.	APPROVED : SJ. OKAMURA	20211215	DRAWING NO.	EDC-163202-58-00
	CHECKED : SZ. ONO	20211214	PART NO.	DF22-1P-7.92DSA(58)
	DESIGNED : TS. KUMAZAWA	20211214	CODE NO.	CL0680-1013-5-58
	DRAWN : TS. KUMAZAWA	20211214		

Sep.1.2024 Copyright 2024 HIROSE ELECTRIC CO., LTD. All Rights Reserved.
In case of consideration for using Automotive equipment / device which demand high reliability, kindly contact our sales window correspondents.



Notes 2 :Minimum unit of purchase shall be the quantity of connectors in tray.(150 pieces)

HRS	DRAWING NO.	EDC-163202-58-00
	PART NO.	DF22-1P-7.92DSA(58)
	CODE NO.	CL0680-1013-5-58

2/3

Sep.1.2024 Copyright 2024 HIROSE ELECTRIC CO., LTD. All Rights Reserved.
In case of consideration for using Automotive equipment / device which demand high reliability, kindly contact our sales window correspondents.

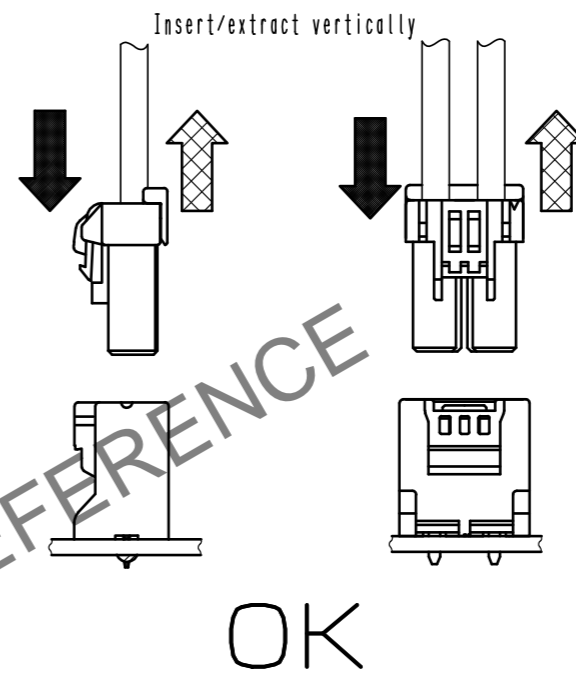
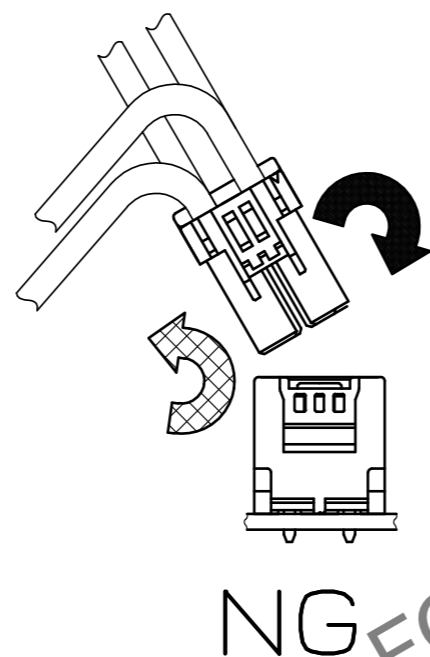
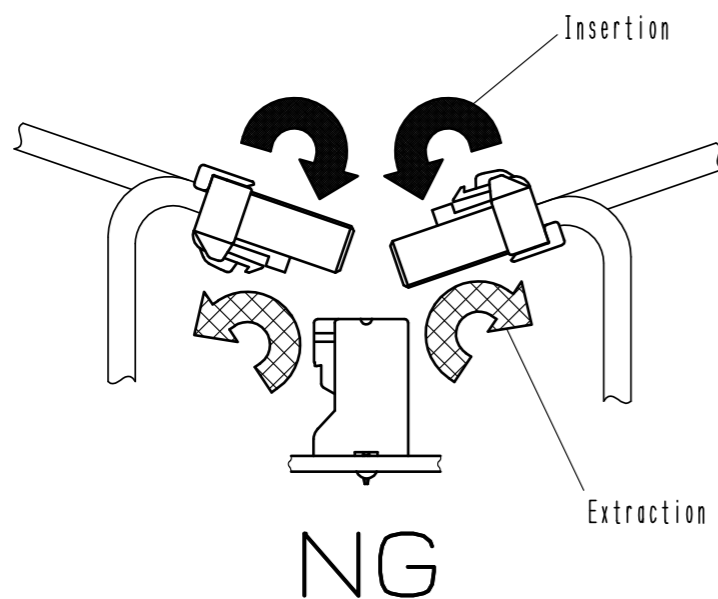
Precautions

Notification for Insertion/Extraction

- 1) Please insert/extract the crimping socket straight to the mating connector.
Insertion/extraction at tilted angles applies load concentration to the connector end and may cause deformation (at connection area, socket and header case, etc). There is a firing risk using this kind of deformed connector.



Insertion/Extraction



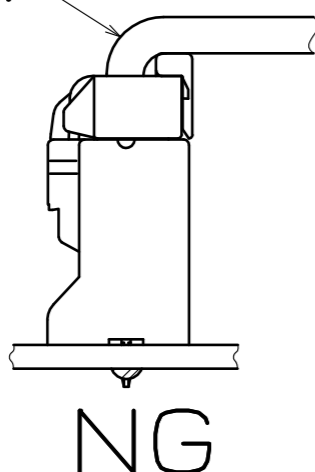
- 2) When it is hard to extract, please lightly insert the connector beforehand and then pull it with releasing the lock.
Forced extraction has a risk of connector breakage.

Notification of wiring

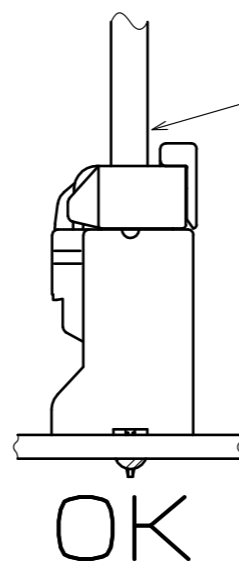


- 1) When using a thick cable, short cable length and bending close to the connector end, these load concentrations may cause deformation.
Please note that there is a firing risk using a deformed connector.
When installing, please refrain from stress concentration such as cable bending close to the connector end or cable twisting.

Stress concentration:
Cable bending close to connector



No stress concentration:
No cable bending close to connector



- 2) Since this product uses thick wires, a larger load is applied to the connector when inserting/extracting or routing the wires.
Please use a retainer to reduce the load on the connector.



DRAWING NO.	EDC-163202-58-00
PART NO.	DF22-1P-7.92DSA(58)
CODE NO.	CL0680-1013-5-58

