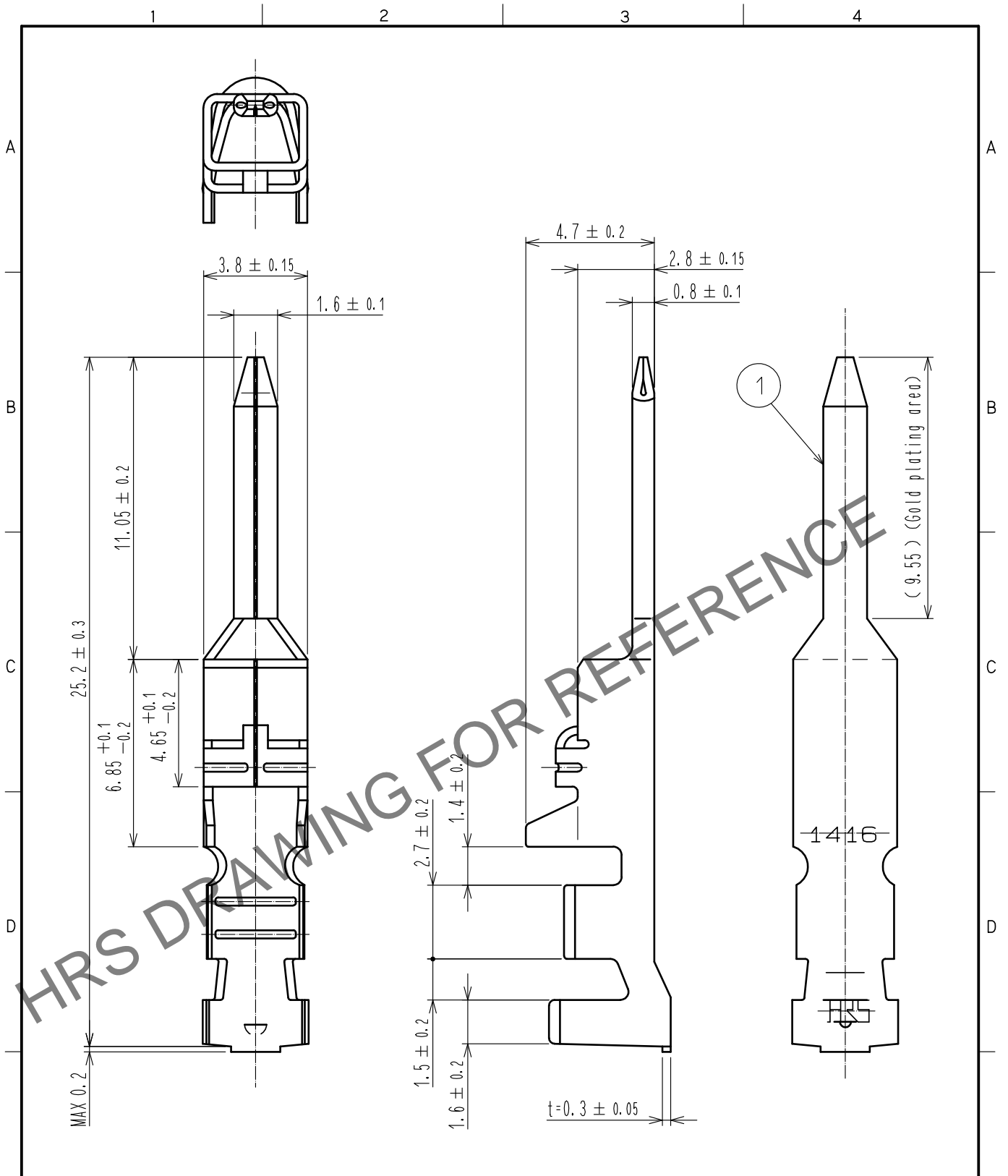


Oct.1.2024 Copyright 2024 HIROSE ELECTRIC CO., LTD. All Rights Reserved.
 In case of consideration for using Automotive equipment / device which demand high reliability, kindly contact our sales window correspondents.



Note 1. 1 pack consists of 100 contacts.
 2. UL(File No. E52653).
 C-UL(File No. E52653)
 TÜV(File No. R9950703)Approved product.



1	Copper alloy	Contact area : Gold plating 0.2μm min Others : Nickel plating 0.5μm min
---	--------------	--

NO.	MATERIAL	FINISH . REMARKS	NO.	MATERIAL	FINISH . REMARKS		
UNITS mm		SCALE 5 : 1	COUNT 	DESCRIPTION OF REVISIONS	DESIGNED	CHECKED	DATE
HIROSE ELECTRIC CO., LTD.		APPROVED : HS. OKAWA	20190909	DRAWING NO.	EDC-388481-00-00		
		CHECKED : SZ. ONO	20190909	PART NO.	DF22-1416PCA		
		DESIGNED : TS. KUMAZAWA	20190909	CODE NO.	CL680-1192-0-00		1/1
		DRAWN : TS. KUMAZAWA	20190909				