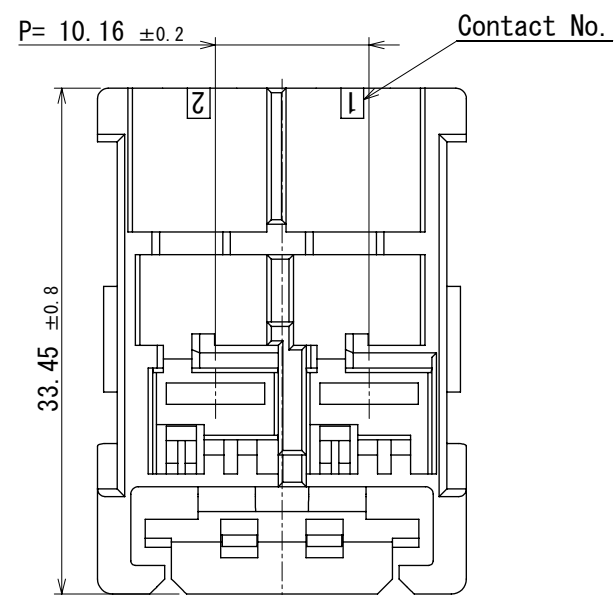
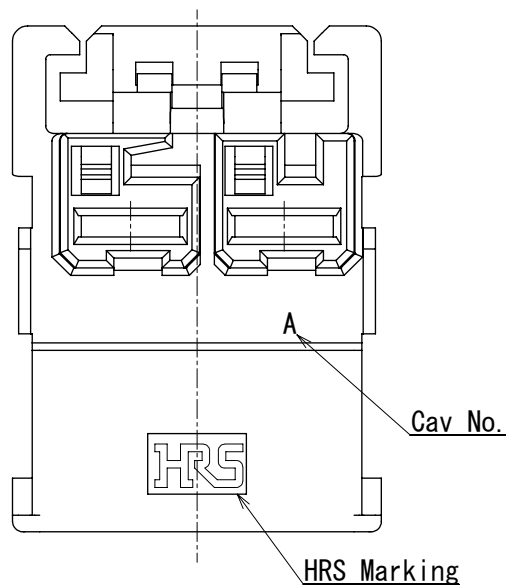
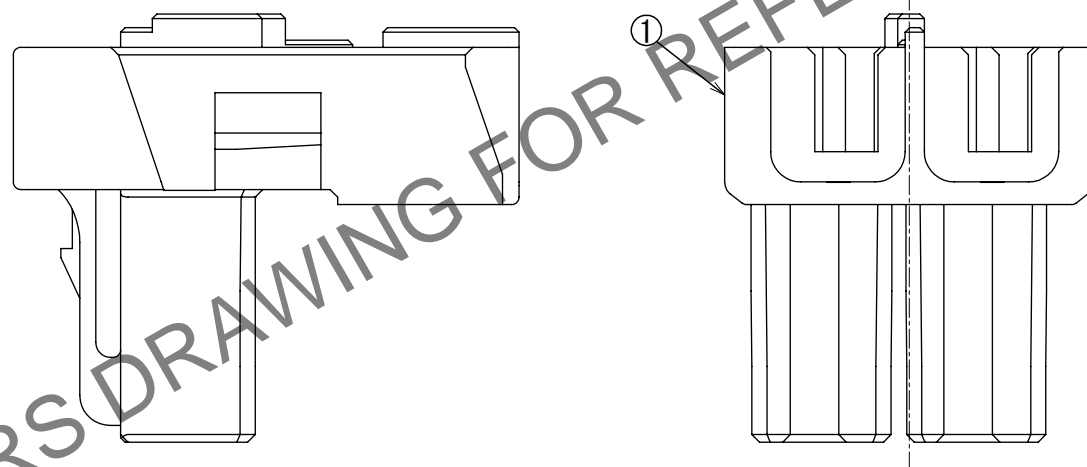
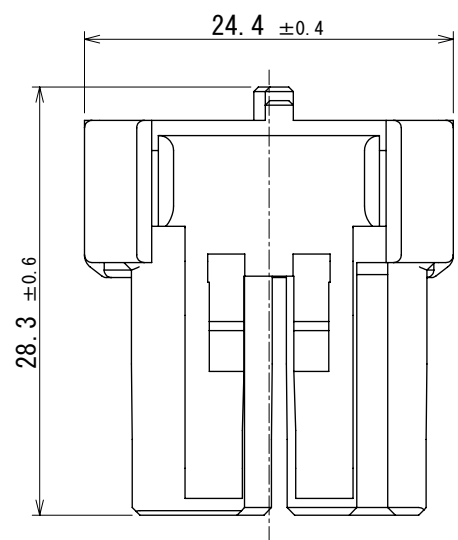
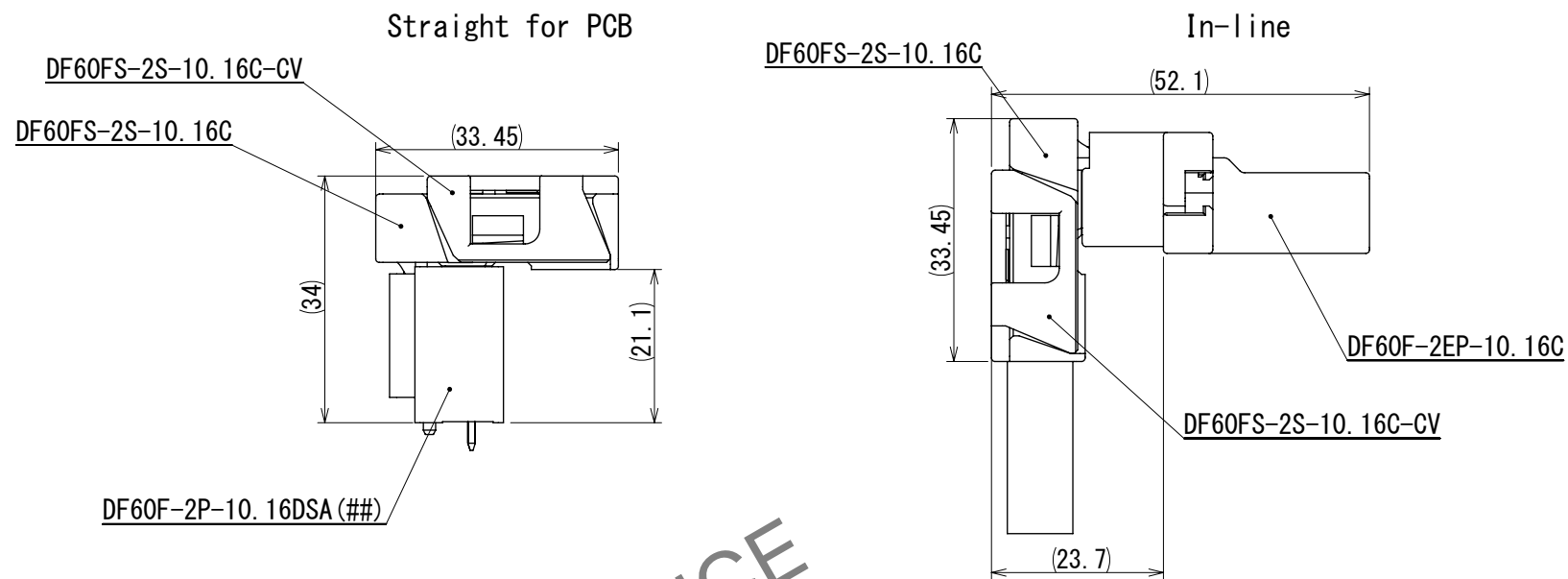


Aug.1.2024 Copyright 2024 HIROSE ELECTRIC CO., LTD. All Rights Reserved.
 In case of consideration for using Automotive equipment / device which demand high reliability, kindly contact our sales window correspondents.



Mating state figure



- Note 1. 100 Pieces / Pack
 2. Please refer to the technical specification (ETAP-H1020-00) for the packing type.
 3. Please refer to the technical specification (ETAD-H0654-00, ETAD-H0653-00) for handling.
 4. There may be minor scratches, however does not affect performance.
 △ 5. UL (File No. E52653)
 C-UL (File No. E52653)
 TÜV (Certificate No. R50400864) authorization article.



NO.	MATERIAL	FINISH	REMARKS
1	PBT	Black, UL94V-0	

UNITS	SCALE	COUNT	DESCRIPTION OF REVISIONS	DESIGNED	CHECKED	DATE
mm	2:1	1	DIS-H-00020823	TS. KUMAZAWA	SZ. ONO	2024. 06. 17
APPROVED : SJ. OKAMURA			2023. 10. 19	DRAWING NO. EDC-402081-00-00		
CHECKED : TT. OHSAKO			2023. 10. 19	PART NO. DF60FS-2S-10.16C		
DESIGNED : KT. NUMATA			2023. 10. 18	CODE NO. CL0680-4013-0-00		
DRAWN : SK. CHIBA			2023. 10. 18			