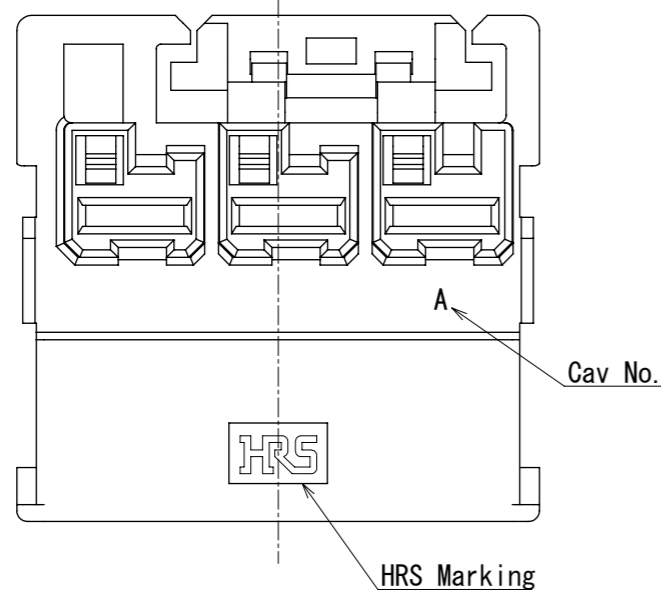
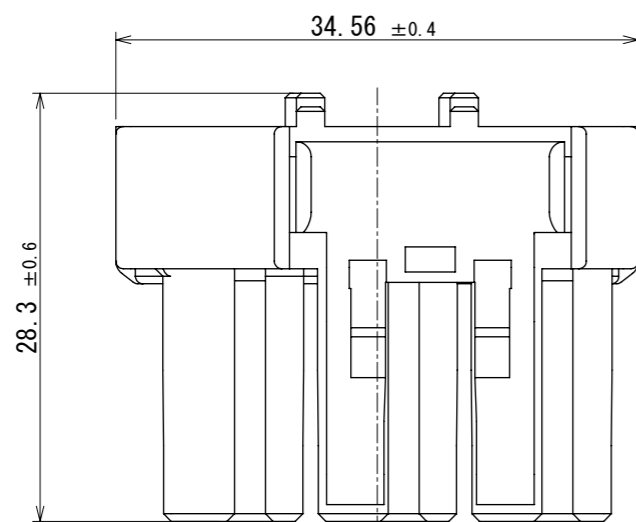
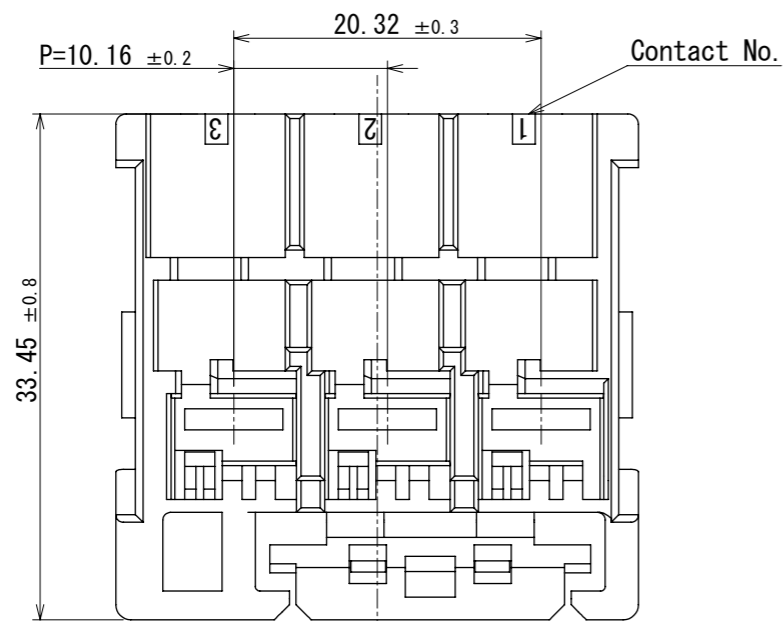
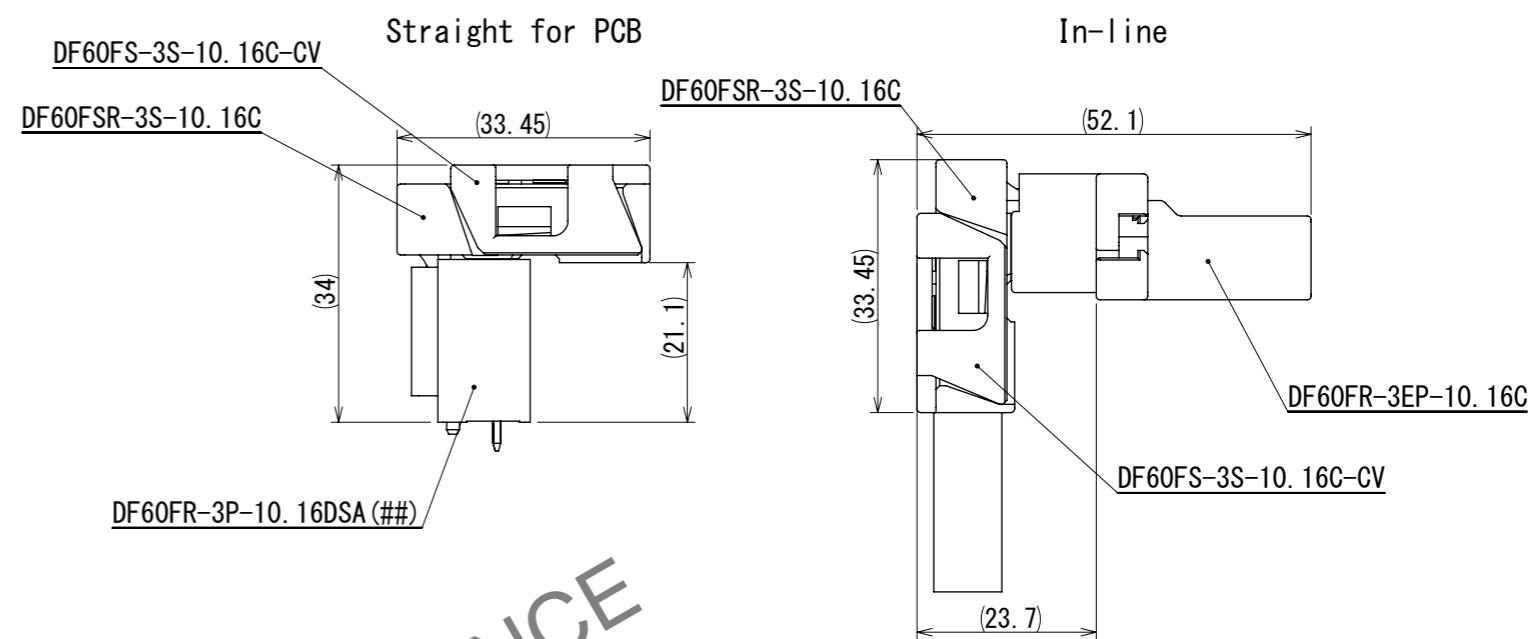


Aug.1.2024 Copyright 2024 HIROSE ELECTRIC CO., LTD. All Rights Reserved.  
 In case of consideration for using Automotive equipment / device which demand high reliability, kindly contact our sales window correspondents.



### Mating state figure



HRS DRAWING FOR REFERENCE

- Note 1. 100 Pieces / Pack  
 2. Please refer to the technical specification (ETAP-H1020-00) for the packing type.  
 3. Please refer to the technical specification (ETAD-H0654-00, ETAD-H0653-00) for handling.  
 4. There may be minor scratches, however does not affect performance.

UNITS	SCALE	COUNT	DESCRIPTION OF REVISIONS	DESIGNED	CHECKED	DATE
mm	2:1	100				
HIROSE ELECTRIC CO., LTD.			APPROVED : SJ. OKAMURA 2023. 10. 19 CHECKED : TT. OHSAKO 2023. 10. 19 DESIGNED : KT. NUMATA 2023. 10. 18 DRAWN : SK. CHIBA 2023. 10. 18	DRAWING NO. EDC-402758-00-00 PART NO. DF60FSR-3S-10.16C CODE NO. CL0680-4018-0-00	1 PBT Red, UL94V-0 NO. MATERIAL FINISH REMARKS	