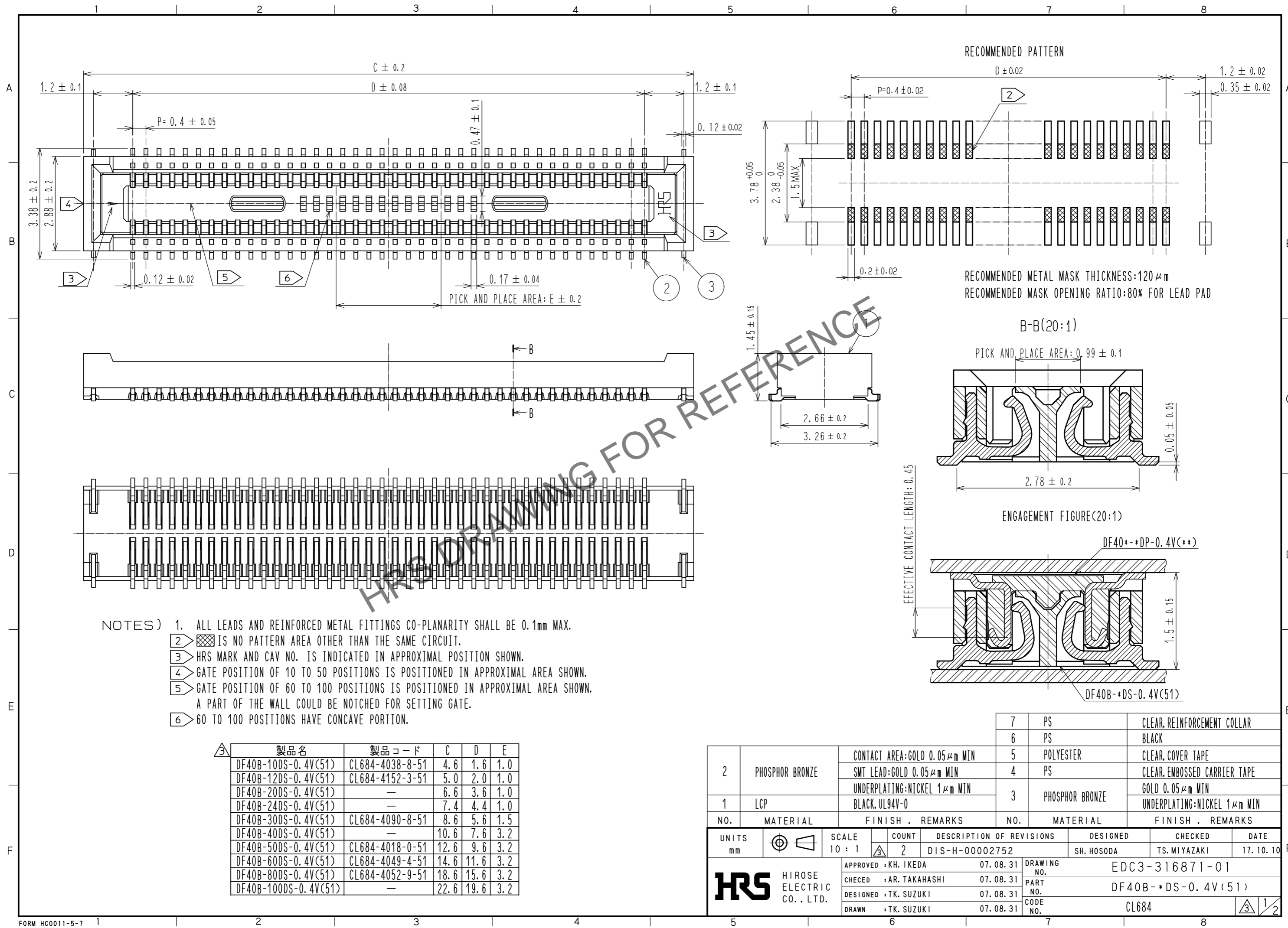


Oct.1.2024 Copyright 2024 HIROSE ELECTRIC CO., LTD. All Rights Reserved.
In case of consideration for using Automotive equipment / device which demand high reliability, kindly contact our sales window correspondents.



- NOTES)
- ALL LEADS AND REINFORCED METAL FITTINGS CO-PLANARITY SHALL BE 0.1mm MAX.
 - IS NO PATTERN AREA OTHER THAN THE SAME CIRCUIT.
 - HRS MARK AND CAV NO. IS INDICATED IN APPROXIMAL POSITION SHOWN.
 - GATE POSITION OF 10 TO 50 POSITIONS IS POSITIONED IN APPROXIMAL AREA SHOWN.
 - GATE POSITION OF 60 TO 100 POSITIONS IS POSITIONED IN APPROXIMAL AREA SHOWN.
A PART OF THE WALL COULD BE NOTCHED FOR SETTING GATE.
 - 60 TO 100 POSITIONS HAVE CONCAVE PORTION.

製品名	製品コード	C	D	E
DF40B-10DS-0.4V(51)	CL684-4038-8-51	4.6	1.6	1.0
DF40B-12DS-0.4V(51)	CL684-4152-3-51	5.0	2.0	1.0
DF40B-20DS-0.4V(51)	—	6.6	3.6	1.0
DF40B-24DS-0.4V(51)	—	7.4	4.4	1.0
DF40B-30DS-0.4V(51)	CL684-4090-8-51	8.6	5.6	1.5
DF40B-40DS-0.4V(51)	—	10.6	7.6	3.2
DF40B-50DS-0.4V(51)	CL684-4018-0-51	12.6	9.6	3.2
DF40B-60DS-0.4V(51)	CL684-4049-4-51	14.6	11.6	3.2
DF40B-80DS-0.4V(51)	CL684-4052-9-51	18.6	15.6	3.2
DF40B-100DS-0.4V(51)	—	22.6	19.6	3.2

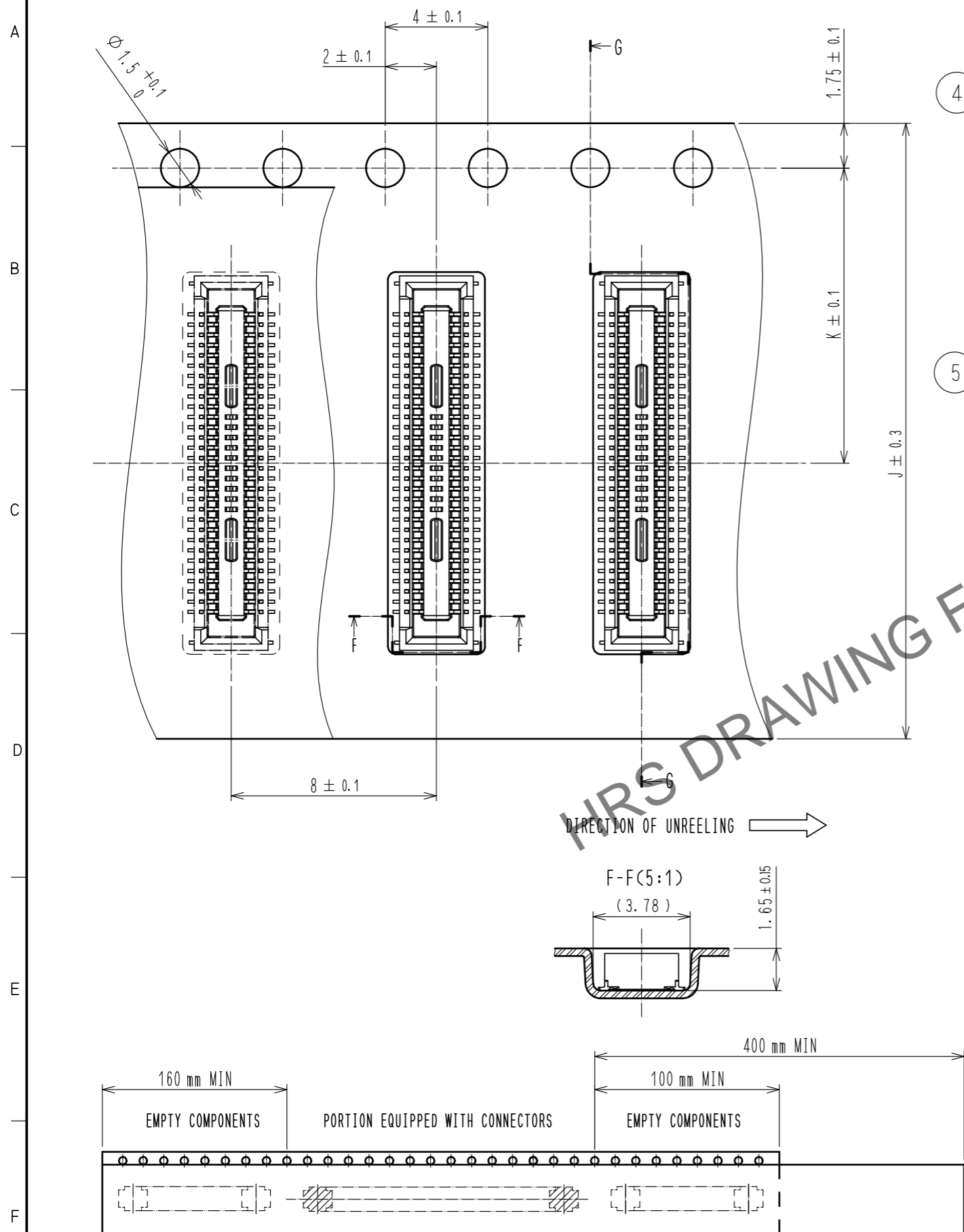
NO.	MATERIAL	FINISH	REMARKS	NO.	MATERIAL	FINISH	REMARKS
2	PHOSPHOR BRONZE		CONTACT AREA: GOLD 0.05 μm MIN SMT LEAD: GOLD 0.05 μm MIN UNDERPLATING: NICKEL 1 μm MIN	7	PS		CLEAR, REINFORCEMENT COLLAR
1	LCP		BLACK, UL94V-0	6	PS		BLACK
				5	POLYESTER		CLEAR, COVER TAPE
				4	PS		CLEAR, EMBOSSED CARRIER TAPE
				3	PHOSPHOR BRONZE		GOLD 0.05 μm MIN UNDERPLATING: NICKEL 1 μm MIN

UNITS	SCALE	COUNT	DESCRIPTION OF REVISIONS	DESIGNED	CHECKED	DATE
mm	10 : 1	2	DIS-H-00002752	SH. HOSODA	TS. MIYAZAKI	17. 10. 10

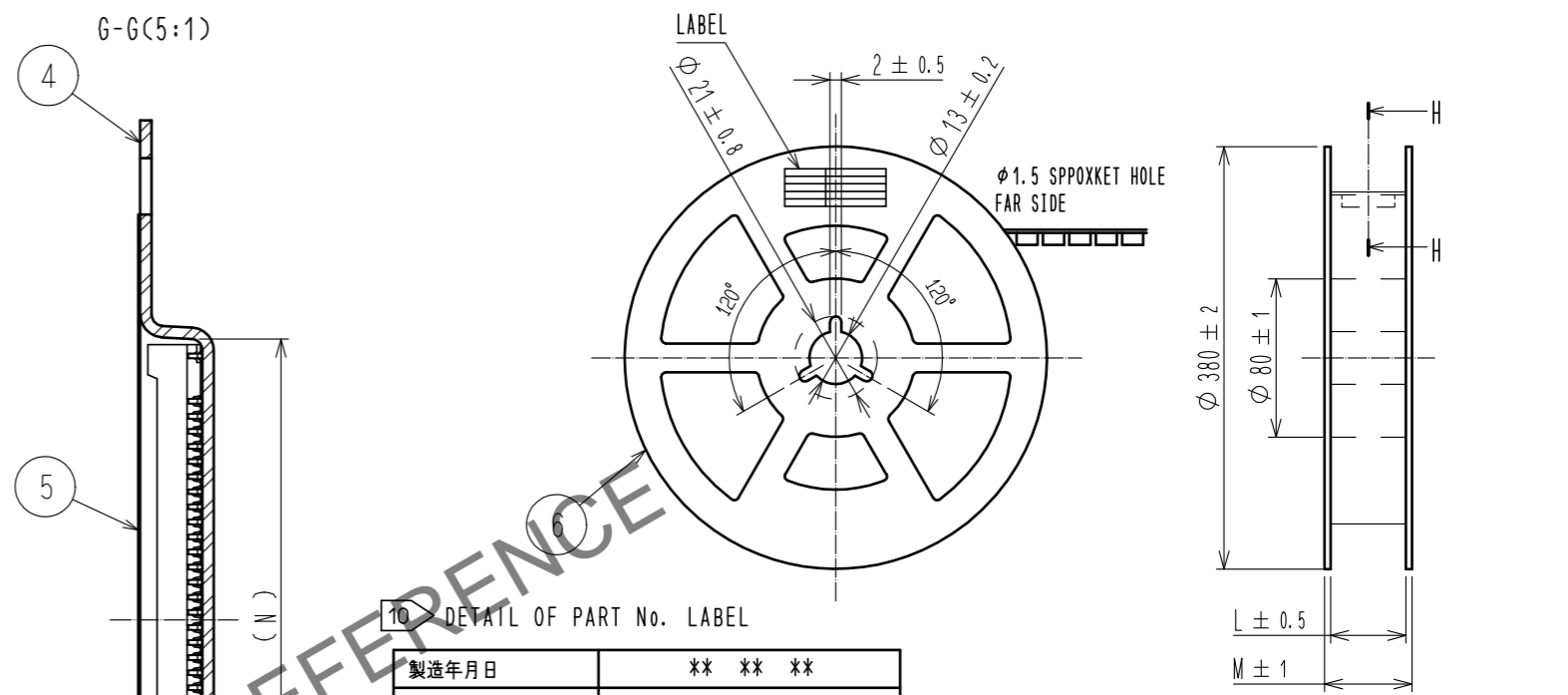
APPROVED	CHECKED	DESIGNED	DRAWN	DRAWING NO.	PART NO.	CODE NO.
KH. IKEDA	AR. TAKAHASHI	TK. SUZUKI	TK. SUZUKI	EDC3-316871-01	DF40B-*DS-0.4V(51)	CL684

Oct.1.2024 Copyright 2024 HIROSE ELECTRIC CO., LTD. All Rights Reserved.
 In case of consideration for using Automotive equipment / device which demand high reliability, kindly contact our sales window correspondents.

EMBOSSED CARRIER TAPE PACKAGING (5:1)



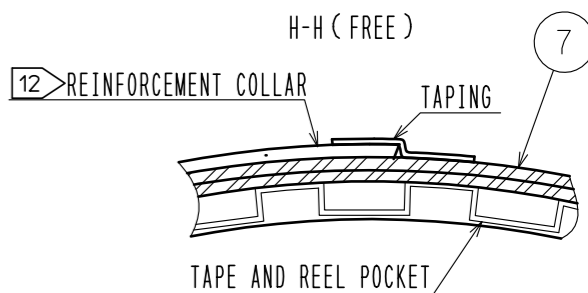
STYLE AND DIMENSION OF REEL(FREE)



10 DETAIL OF PART No. LABEL

製造年月日	** ** *
製品コード	CL684-*****-51
製品名	DF40B-*DS-0.4V(51)
数量	5000
納入者	ヒロセ電機(株)

製品名	J	K	L	M	N
DF40B-10DS-0.4V(51)	16	7.5	17.5	21.5	2.9
DF40B-12DS-0.4V(51)	16	7.5	17.5	21.5	3.3
DF40B-20DS-0.4V(51)	16	7.5	17.5	21.5	4.9
DF40B-24DS-0.4V(51)	16	7.5	17.5	21.5	6.9
DF40B-30DS-0.4V(51)	24	11.5	25.5	29.5	8.9
DF40B-40DS-0.4V(51)	24	11.5	25.5	29.5	10.9
DF40B-50DS-0.4V(51)	24	11.5	25.5	29.5	12.9
DF40B-60DS-0.4V(51)	24	11.5	25.5	29.5	14.9
DF40B-80DS-0.4V(51)	32	14.2	33.5	37.5	18.9
DF40B-100DS-0.4V(51)	44	20.2	45.5	49.5	22.9



- NOTES
- PER REEL 5000 CONNECTORS.
 - THE DIMENSIONS IN PARENTHESES ARE FOR REFERENCE.
 - REFER TO JIS C 0806(IEC 60286-3)(PACKING OF COMPONENTS FOR AUTOMATIC HANDLING)
 - DETAIL OF PART No. LABEL IS WRITTEN IN JAPANESE.
 PART NO. LABEL DESCRIBES THE FOLLOWING INFORMATION FROM TOP.
 PRODUCTION DATE:
 PRODUCT CODE: CL684-*****-51
 PART NUMBER: DF40B-*DS-0.4V(51)
 NUMBER OF PIECES: 5000 PIECES
 SUPPLIER NAME: HIROSE ELECTRIC CO., LTD.
 - 80 TO 100 POSITIONS EMBOSSSED CARRIER TAPE HAS THE SPROCKET HOLE ON BOTH SIDES.
 - AFTER PACKAGING, ROLL 2 METERS OF THE REINFORCEMENT COLLAR TO OUTER CIRCUMFERENCE OF TAPE AND REEL POCKET, AND TAPE DOWN AT THE END THE COLLAR.

HRS	DRAWING NO.	EDC3-316871-01
	PART NO.	DF40B-*DS-0.4V(51)
	CODE NO.	CL684