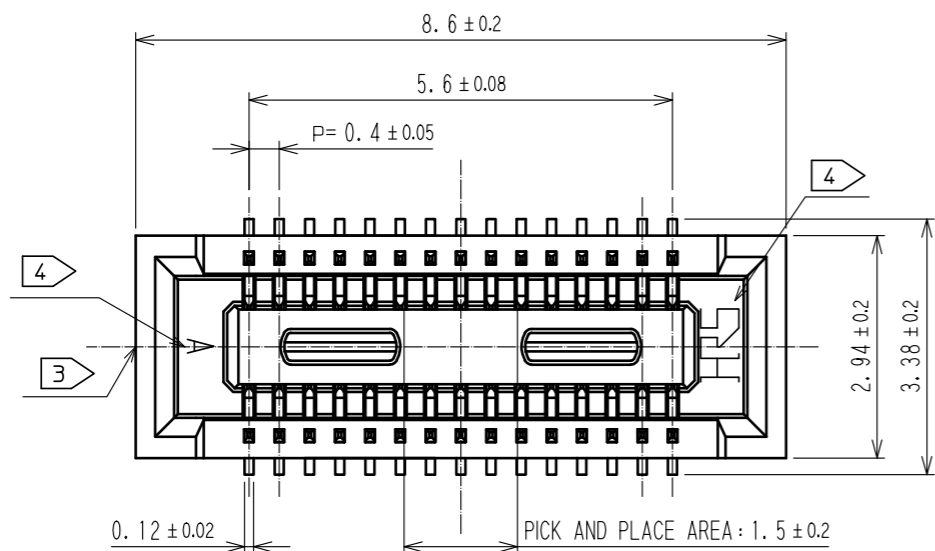
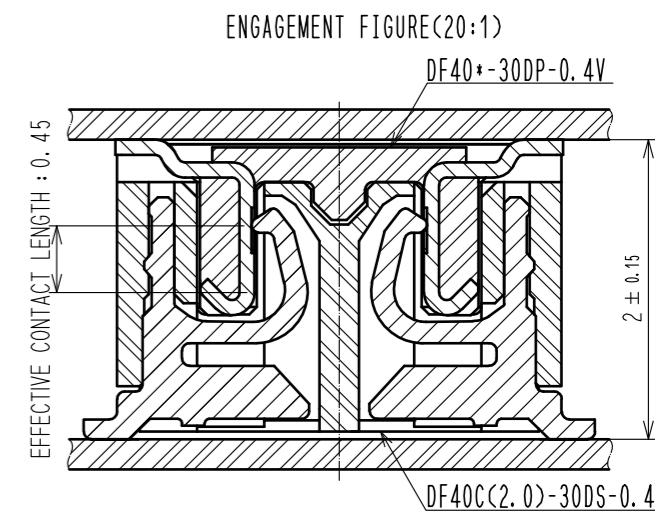
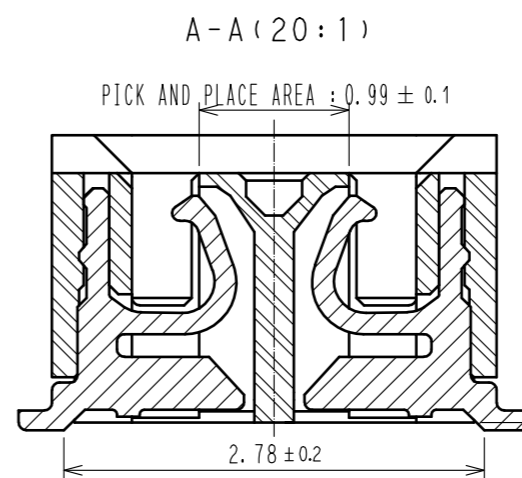
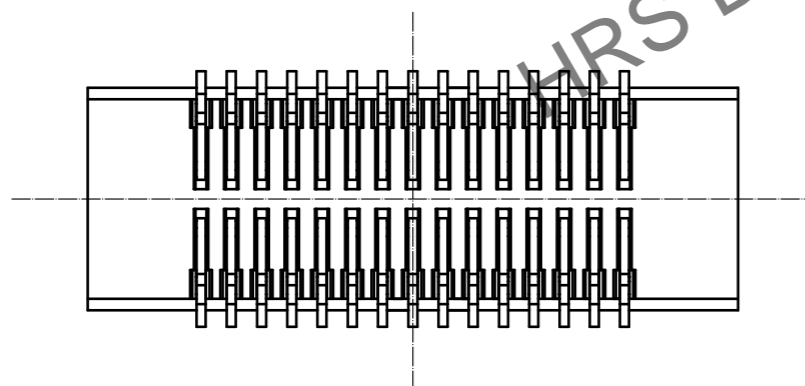
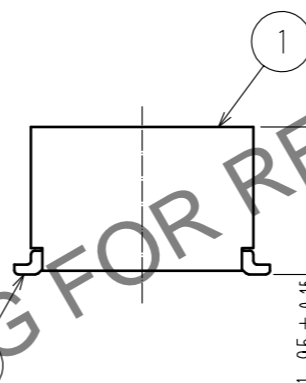
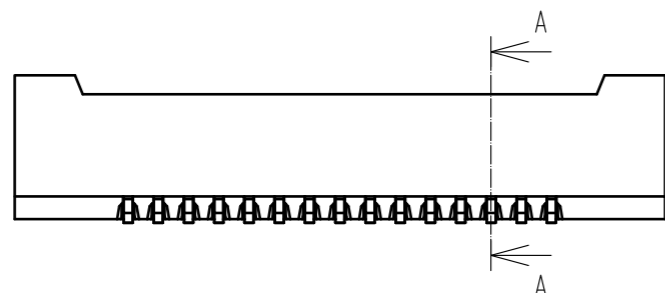
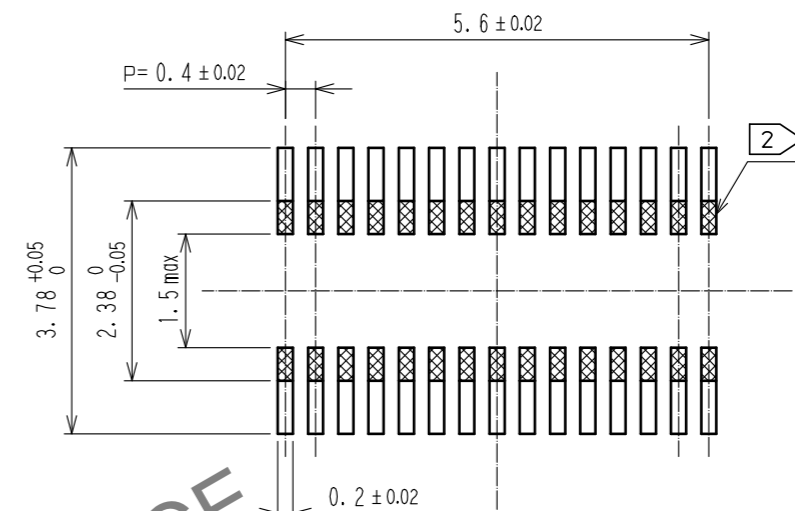


Oct.1.2024 Copyright 2024 HIROSE ELECTRIC CO., LTD. All Rights Reserved.  
In case of consideration for using Automotive equipment / device which demand high reliability, kindly contact our sales window correspondents.



RECOMMENDED PATTERN



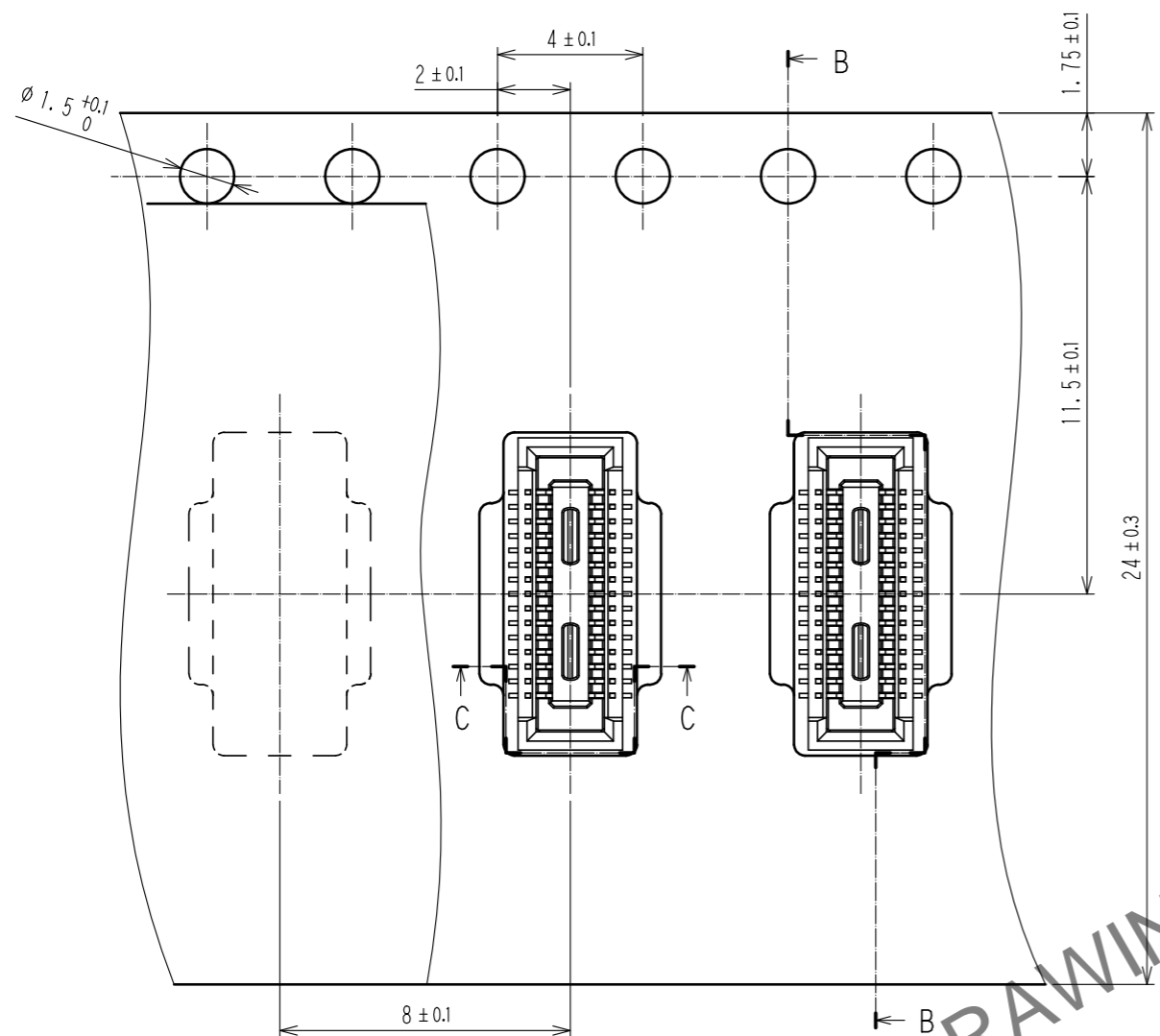
NOTE 1. ALL LEADS CO-PLANARITY SHALL BE 0.1 MAX.  
 2. IS NO PATTERN AREA OTHER THAN THE SAME CIRCUIT.  
 3. GATE POSITION IS POSITIONED IN APPROXIMAL AREA SHOWN.  
 4. HRS MARK AND CAV NO. IS INDIKATED IN APPROX POSHITION SHOWN.

2	PHOSPHOR BRONZE	CONTACT AREA: GOLD 0.05 μm MIN	6	PS	CLEAR, REINFORCEMENT COLLAR
		SMT LEAD: GOLD 0.05 μm MIN	5	PS	BLACK
		UNDERPLATING: NICKEL 1 μm MIN	4	POLYESTER	CLEAR, COVER TAPE
1	LCP	BLACK, UL94V-0	3	PS	CLEAR, EMBOSSED CARRIER TAPE
NO.	MATERIAL	FINISH . REMARKS	NO.	MATERIAL	FINISH . REMARKS

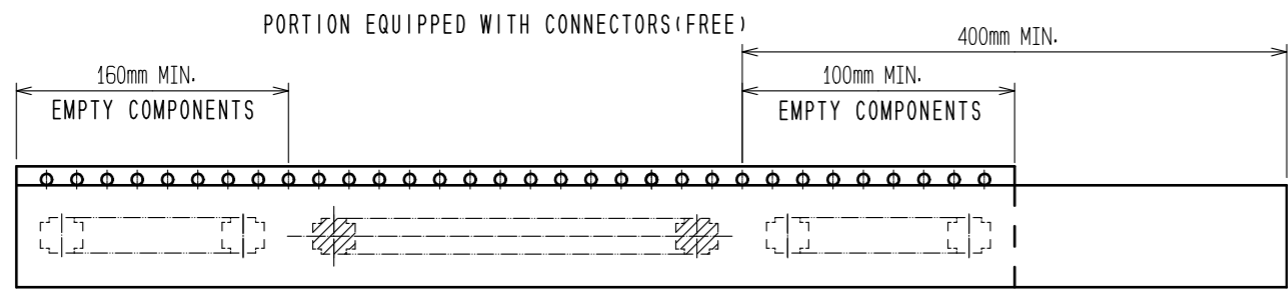
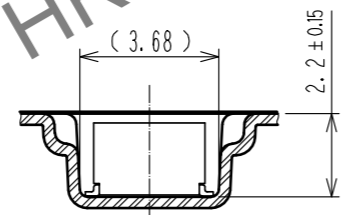
UNITS mm		SCALE 10: 1	COUNT 	DESCRIPTION OF REVISIONS	DESIGNED	CHECKED	DATE
APPROVED : MO. ISHIDA 16.10.05				DRAWING NO. EDC-315593-58-01			
CHECKED : TS. MIYAZAKI 16.10.05				PART NO. DF40C(2.0)-30DS-0.4V(58)			
DESIGNED : SH. HOSODA 16.10.05				CODE NO. CL684-4058-5-58			
DRAWN : SN. NUMAZAKI 16.10.04				1/2			

Oct.1.2024 Copyright 2024 HIROSE ELECTRIC CO., LTD. All Rights Reserved.  
 In case of consideration for using Automotive equipment / device which demand high reliability, kindly contact our sales window correspondents.

EMBOSSED CARRIER TAPE DIMENSIONS (5:1)



DIRECTION OF UNREELING →

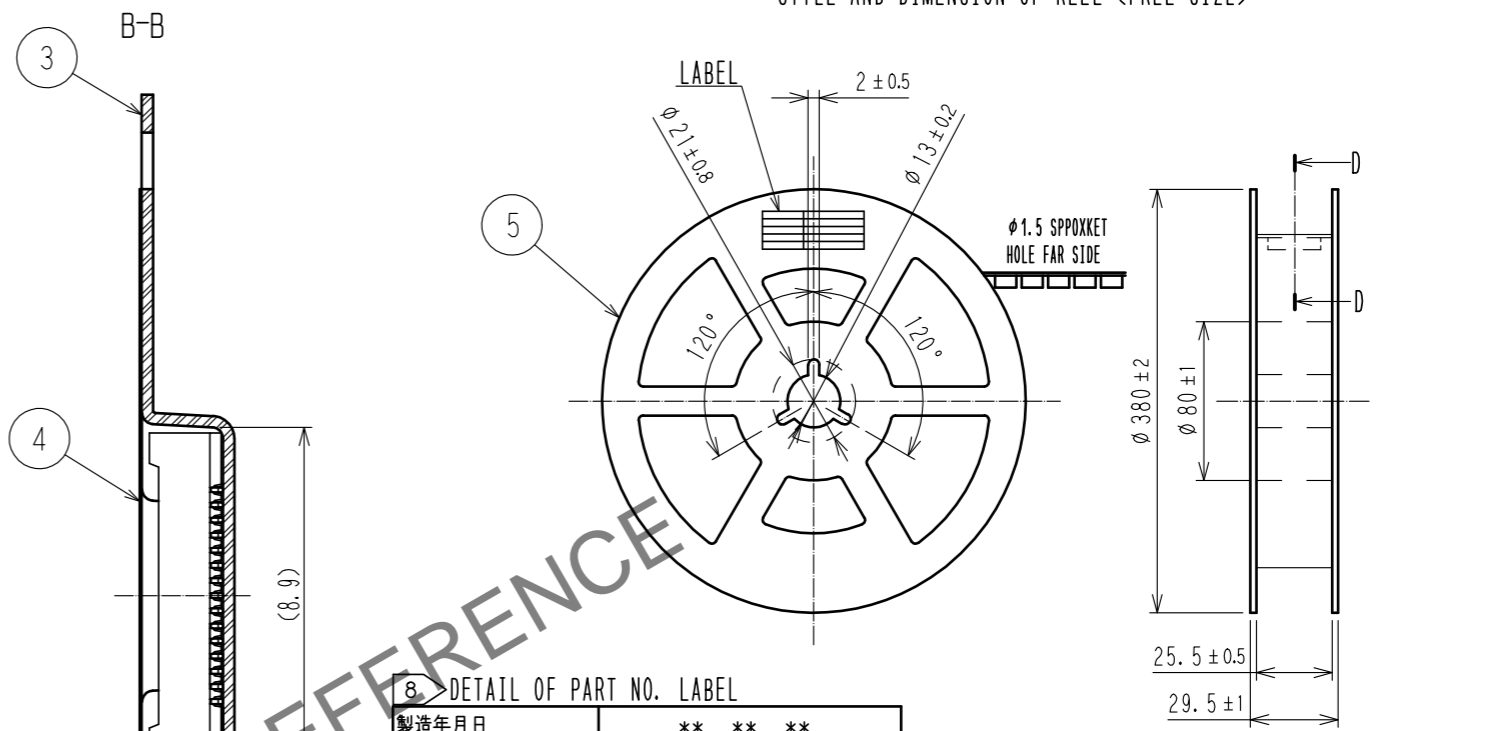


TRAILER

7 TAPING

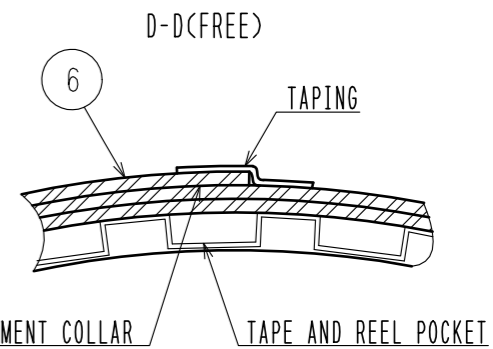
LEADER

STYLE AND DIMENSION OF REEL (FREE SIZE)



8. DETAIL OF PART NO. LABEL

製造年月日	** ** *
製品コード	CL684-4058-5-58
製品名	DF40C(2.0)-30DS-0.4V(58)
数量	1000
納入者	ヒロセ電機(株)



- NOTES
- PER REEL 1000 CONNECTORS.
  - THE DIMENSIONS IN PARENTHESES ARE FOR REFERENCE.
  - REFER TO JIS C 0806(PACKING OF COMPONENTS FOR AUTOMATIC HANDLING)
  - DETAIL OF PART No. LABEL IS WRITTEN IN JAPANESE. PART NO. LABEL DESCRIBES THE FOLLOWING INFORMATION FROM TOP.  
 Production Date:  
 Product Code: CL684-4058-5-58  
 Part Number: DF40C(2.0)-30DS-0.4V(58)  
 Number of pieces: 1000 pieces  
 Supplier Name: Hirose Electric Co., Ltd.
  - AFTER PACKAGING, ROLL 2 METERS OF THE REINFORCEMENT COLLAR TO OUTER CIRCUMFERENCE OF TAPE AND REEL POCKET, AND TAPE DOWN AT THE END THE COLLAR.

<b>HRS</b>	図番:	EDC-315593-58-01
	製品名:	DF40C(2.0)-30DS-0.4V(58)
	製品コード:	CL684-4058-5-58