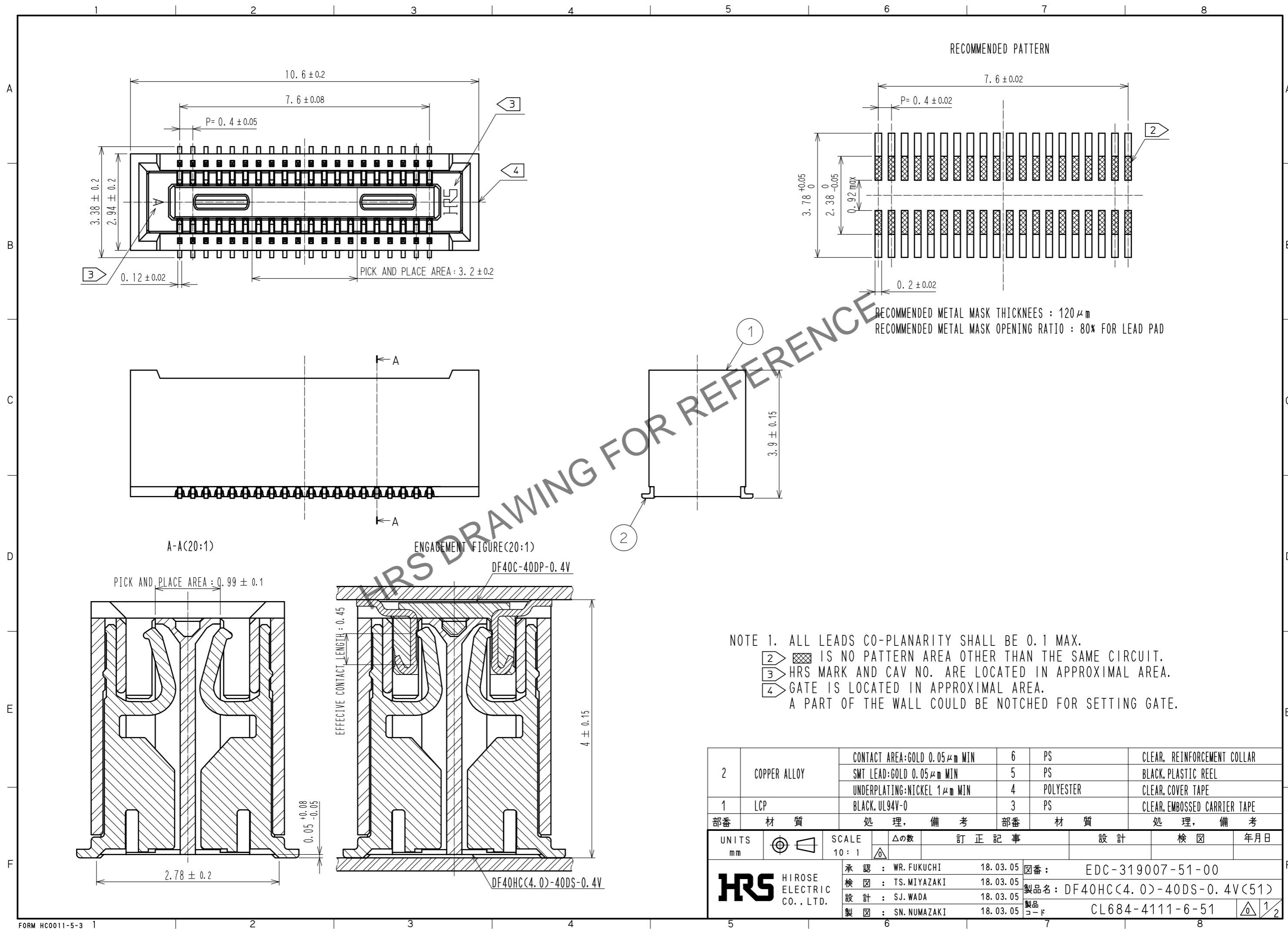
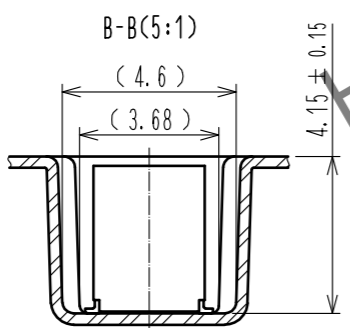
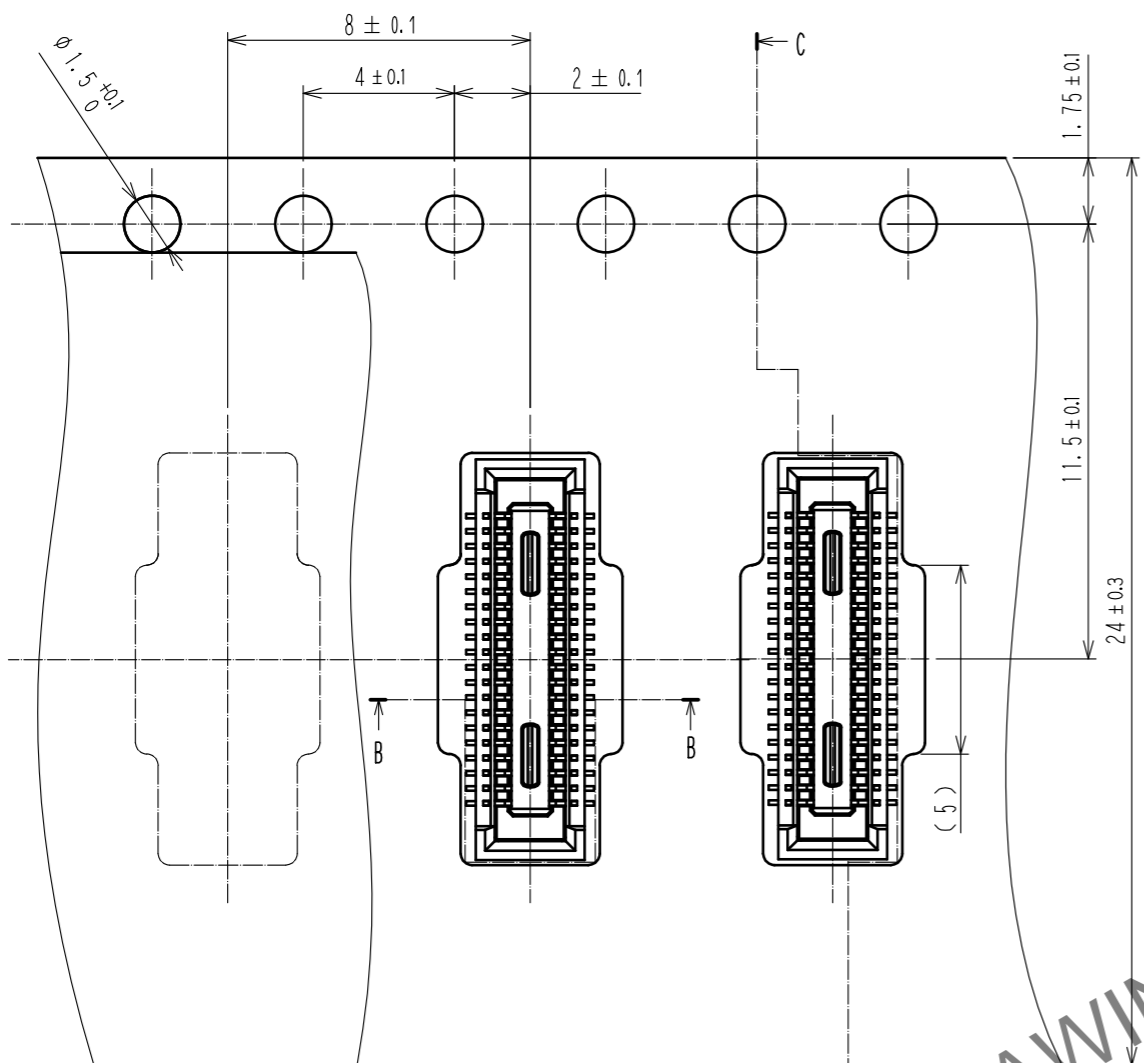


May.1.2024 Copyright 2024 HIROSE ELECTRIC CO., LTD. All Rights Reserved.
In case of consideration for using Automotive equipment / device which demand high reliability, kindly contact our sales window correspondents.

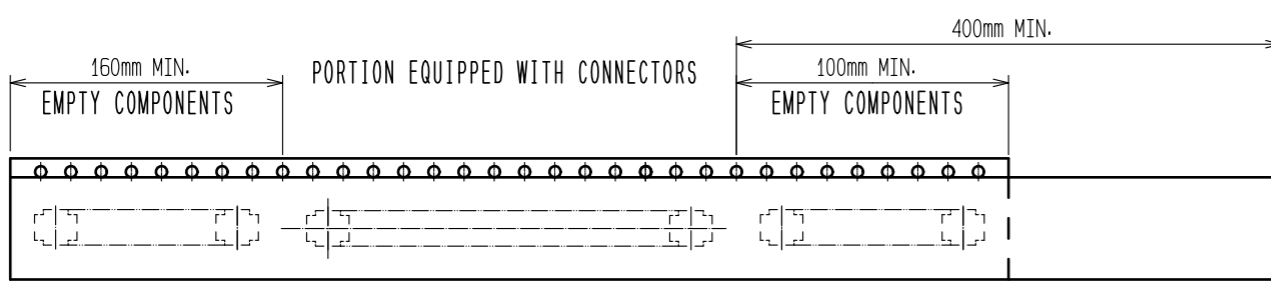


May.1.2024 Copyright 2024 HIROSE ELECTRIC CO., LTD. All Rights Reserved.
In case of consideration for using Automotive equipment / device which demand high reliability, kindly contact our sales window correspondents.

EMBOSSED CARRIER TAPE(FREE)

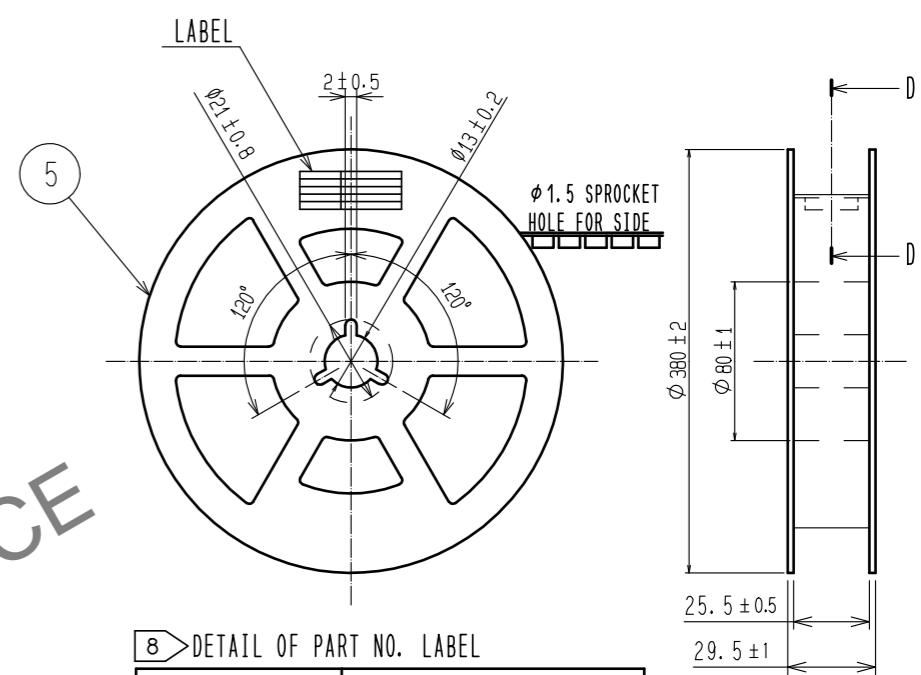


DIRECTIONS OF UNREELING →



7 TAPING

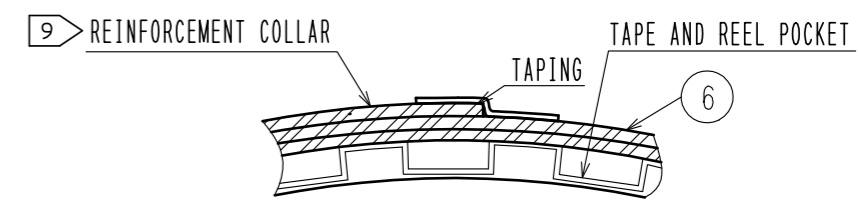
STYLE AND DIMENSION OF REEL(FREE)



8 DETAIL OF PART NO. LABEL

製造年月日	** ** *
製品コード	CL684-4111-6-51
製品名	DF40HC(4.0)-40DS-0.4V(51)
数量	2000
納入者	ヒロセ電機(株)

D-D(FREE)



- NOTES
- PER REEL 2000 CONNECTORS.
 - THE DIMENSIONS IN PARENTHESES ARE FOR REFERENCE.
 - REFER TO JIS C 0806(IEC 60286-3)(PACKING OF COMPONENTS FOR AUTOMATIC HANDLING)
 - DETAIL OF PART NO. LABEL IS WRITTEN IN JAPANESE. PART NO. LABEL DESCRIBES THE FOLLOWING INFORMATION FROM TOP.
PRODUCTION DATE:
PRODUCT CODE: CL684-4111-6-51
PART NUMBER: DF40HC(4.0)-40DS-0.4V(51)
NUMBER OF PIECES: 2000 PIECES
SUPPLIER NAME: HIROSE ELECTRIC CO., LTD.
 - AFTER PACKAGING, ROLL 2 METERS OF THE REINFORCEMENT COLLAR TO OUTER CIRCUMFERENCE OF TAPE AND REEL POCKET, AND TAPE DOWN AT THE END THE COLLAR.



図番:	EDC-319007-51-00
製品名:	DF40HC(4.0)-40DS-0.4V(51)
製品コード:	CL684-4111-6-51