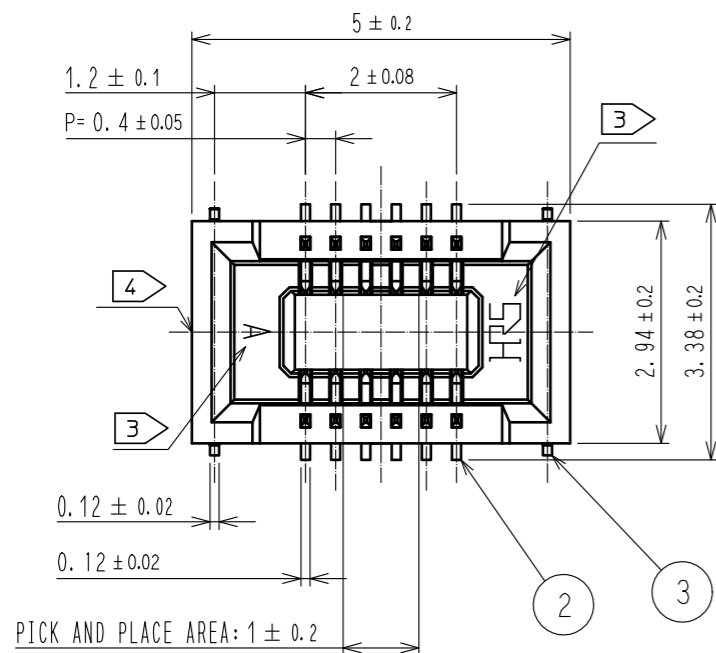
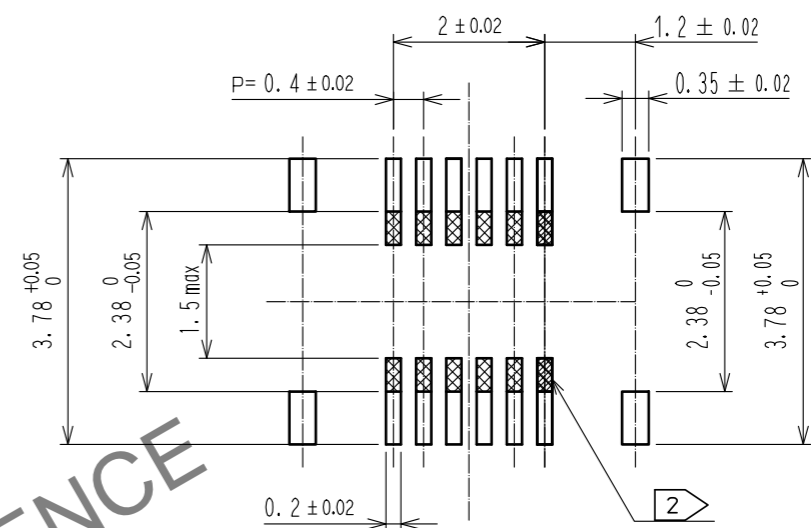


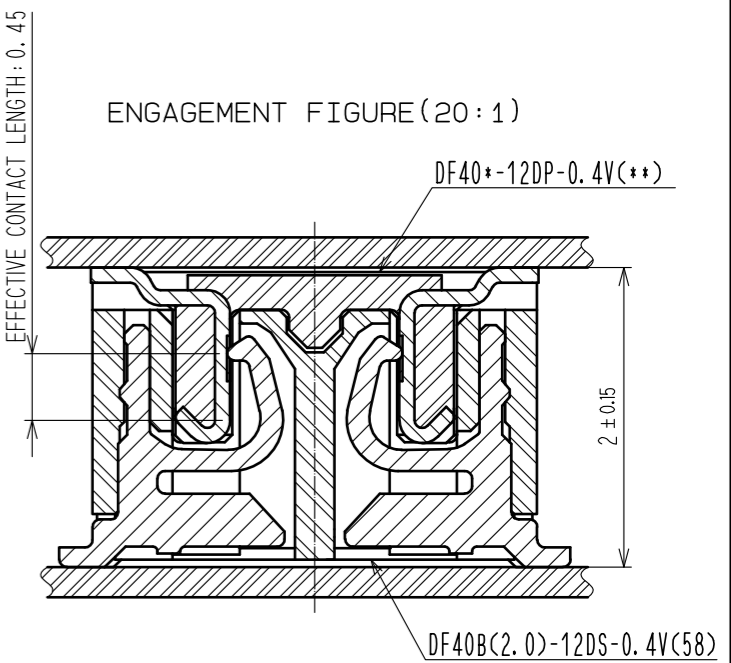
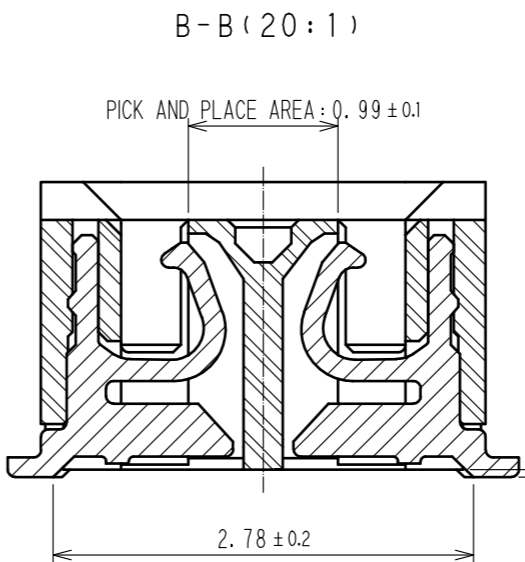
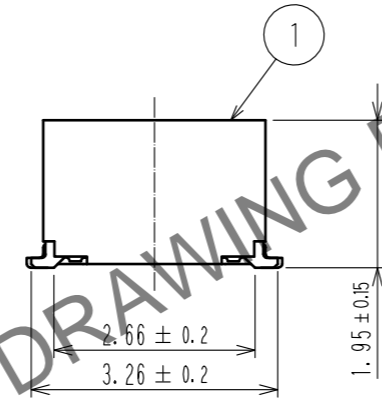
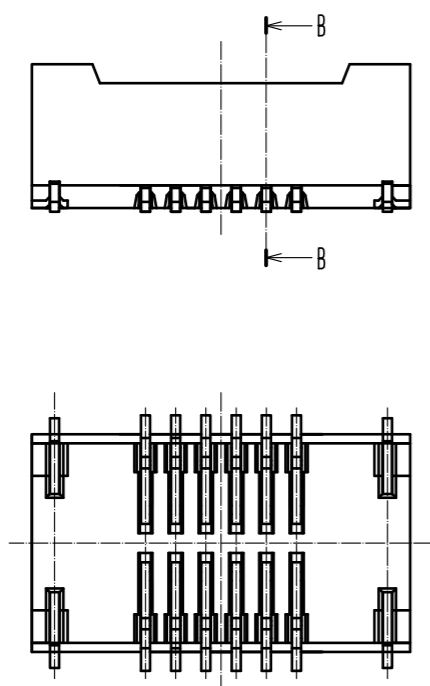
Oct.1.2024 Copyright 2024 HIROSE ELECTRIC CO., LTD. All Rights Reserved.
 In case of consideration for using Automotive equipment / device which demand high reliability, kindly contact our sales window correspondents.



RECOMMENDED PATTERN



RECOMMENDED METAL MASK THICKNESS: 120 μm
 RECOMMENDED METAL MASK OPENING RATIO: 80% FOR LEAD PAD

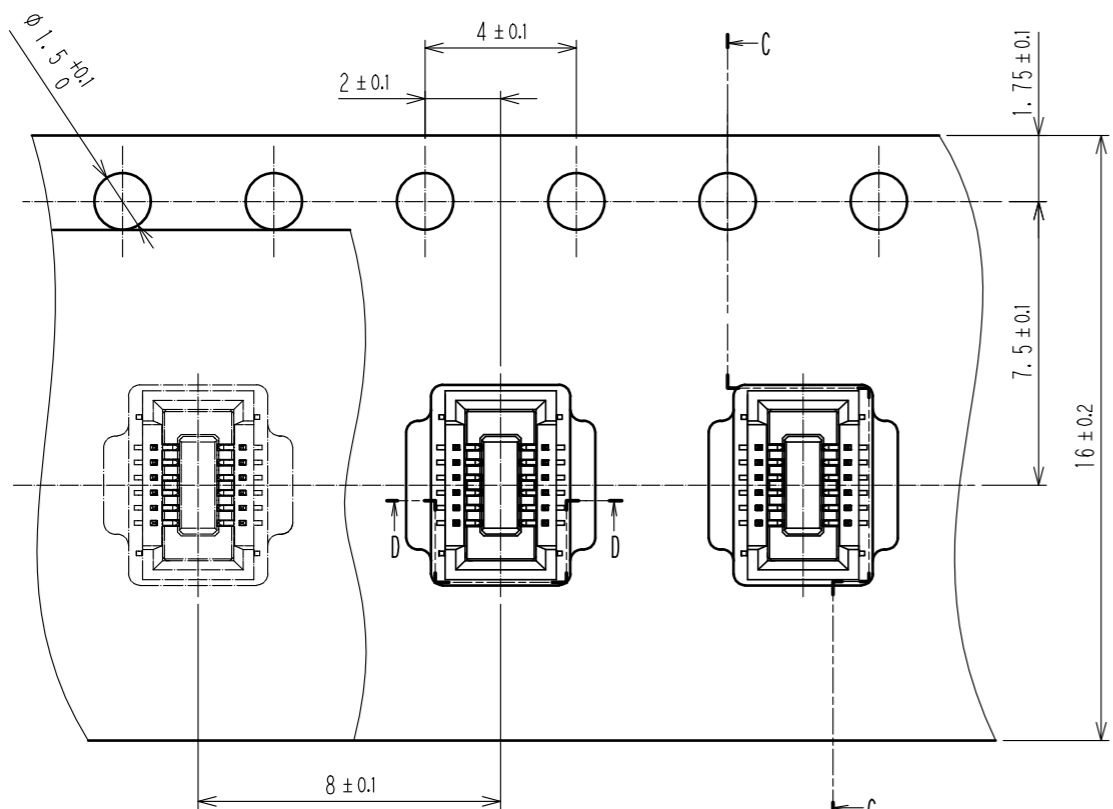


- NOTES) 1. ALL LEADS CO-PLANARITY SHALL BE 0.1MAX.
 2. IS NO PATTERN AREA OTHER THAN THE SAME CIRCUIT.
 3. HRS MARK AND CAV NO. IS INDICATED IN APPROX POSITION SHOWN.
 4. GATE POSITON IS POSITIONED IN APPROXIMAL AREA SHOWN.

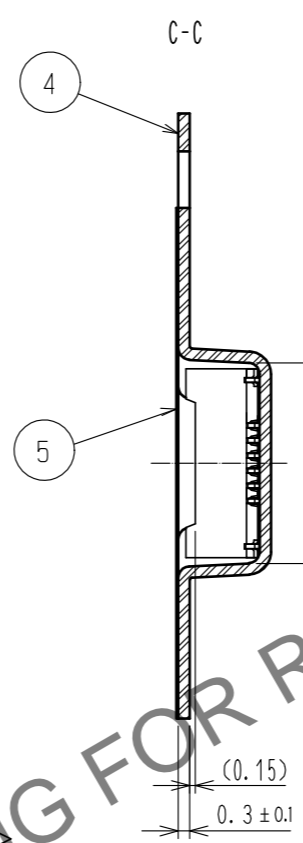
| | | | | | | | |
|-------------|-----------------|--|-------|---------------------------------|-----------------------------------|---------|------|
| 2 | PHOSPHOR BRONZE | CONTACT AREA:GOLD 0.05 μm MIN SMT LEAD:GOLD 0.05 μm MIN UNDERPLATING:NICKEL 1 μm MIN | 7 | PS | CLEAR, REINFORCEMENT COLLAR | | |
| 1 | LCP | BLACK, UL94V-0 | 6 | PS | BLACK, PLASTIC REEL | | |
| | | | 5 | POLYESTER | CLEAR, COVER TAPE | | |
| | | | 4 | PS | CLEAR, EMBOSSED CARRIER TAPE | | |
| | | | 3 | PHOSPHOR BRONZE | GOLD 0.05 μm | | |
| NO. | MATERIAL | FINISH . REMARKS | NO. | MATERIAL | FINISH . REMARKS | | |
| UNITS mm | | SCALE 10:1 | COUNT | DESCRIPTION OF REVISIONS | DESIGNED | CHECKED | DATE |
| | | | | APPROVED :MO. ISHIDA 16. 10. 05 | DRAWING NO. EDC-332417-58-01 | | |
| | | | | CHECED :TS. MIYAZAKI 16. 10. 05 | PART NO. DF40B(2.0)-12DS-0.4V(58) | | |
| | | | | DESIGNED :SH. HOSODA 16. 10. 05 | CODE NO. CL684-4150-8-58 | | |
| | | | | DRAWN :SN. NUMAZAKI 16. 10. 04 | 1/2 | | |

Oct.1.2024 Copyright 2024 HIROSE ELECTRIC CO., LTD. All Rights Reserved.
In case of consideration for using Automotive equipment / device which demand high reliability, kindly contact our sales window correspondents.

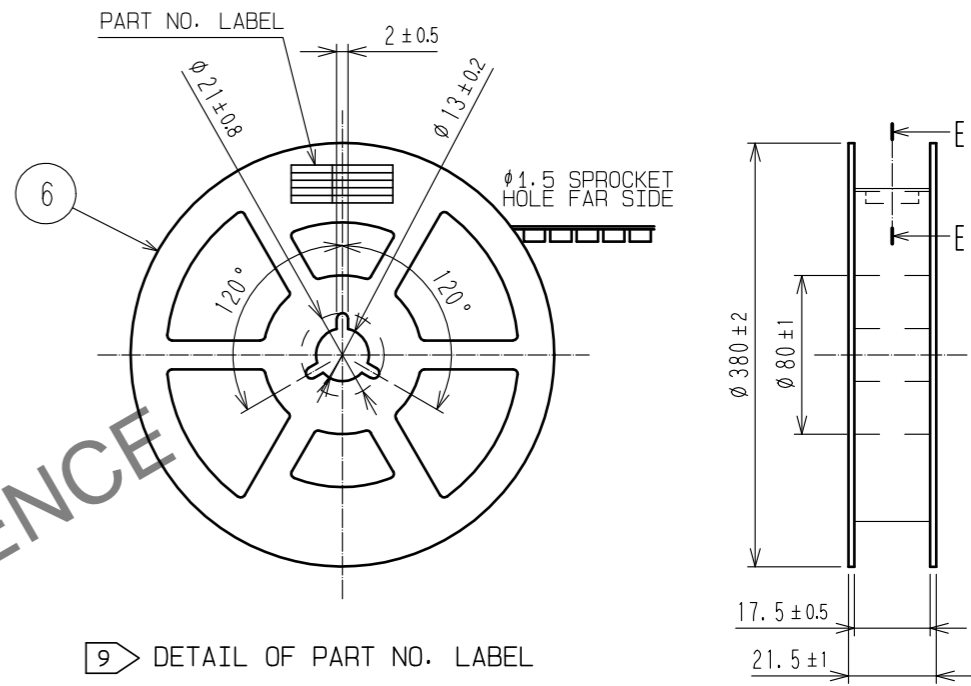
EMBOSSED CARRIER TAPE DIMENSIONS (5:1)



DIRECTION OF UNREELING →



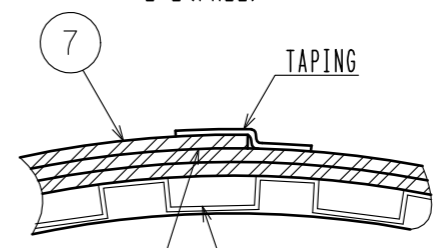
STYLE AND DIMENSION OF REEL (FREE)



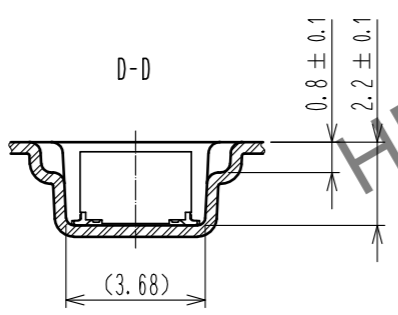
9) DETAIL OF PART NO. LABEL

| | |
|-------|--------------------------|
| 製造年月日 | ** ** * |
| 製品コード | CL684-4150-8-58 |
| 製品名 | DF40B(2.0)-12DS-0.4V(58) |
| 数量 | 1000 |
| 納入者 | ヒロセ電機(株) |

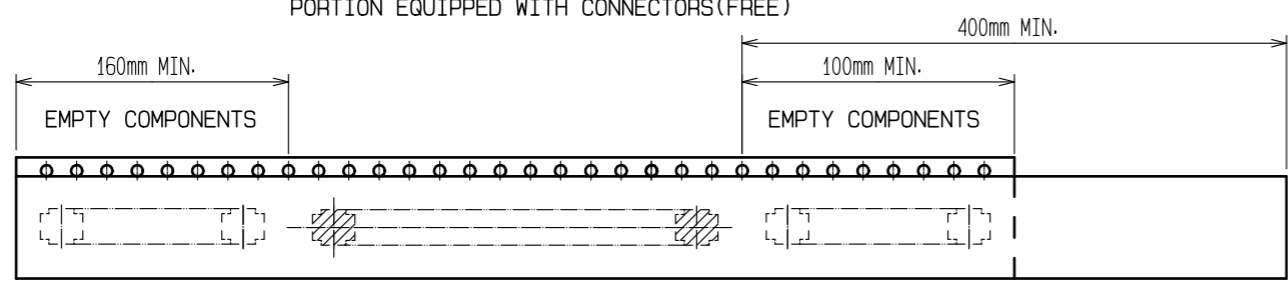
E-E(FREE)



8) REINFORCEMENT COLLAR TAPE AND REEL POCKET



PORTION EQUIPPED WITH CONNECTORS(FREE)



TRAILER

7) TAPING

LEADER

- NOTES) 5. PER REEL 1000 CONNECTORS.
6. THE DIMENSIONS IN PARENTHESSES ARE FOR REFERENCE.
7) REFER TO JIS C 0806 (IEC 60286-3.PACKING OF COMPONENTS FOR AUTOMATIC HANDLING)
8) AFTER PACKAGING, ROLL 2 METERS OF THE REINFORCEMENT COLLAR TO OUTER CIRCUMFERENCE OF TAPE AND REEL POCKET, AND TAPE DOWN AT THE END THE COLLAR.
9) DETAIL OF PART No. LABEL IS WRITTEN IN JAPANESE.
PART NO. LABEL DESCRIBS THE FOLLOWING INFOMATION FROM TOP.
Production Date:
Product Code: CL684-4150-8-58
Part No:DF40B(2.0)-12DS-0.4V(58)
Number of pieces:1000pieces
Supplier Name:Hirose Electric Co., Ltd.

| | | |
|------------|-------------|--------------------------|
| HRS | DRAWING NO. | EDC-332417-58-01 |
| | PART NO. | DF40B(2.0)-12DS-0.4V(58) |
| | CODE NO. | CL684-4150-8-58 |
| | | 2/2 |