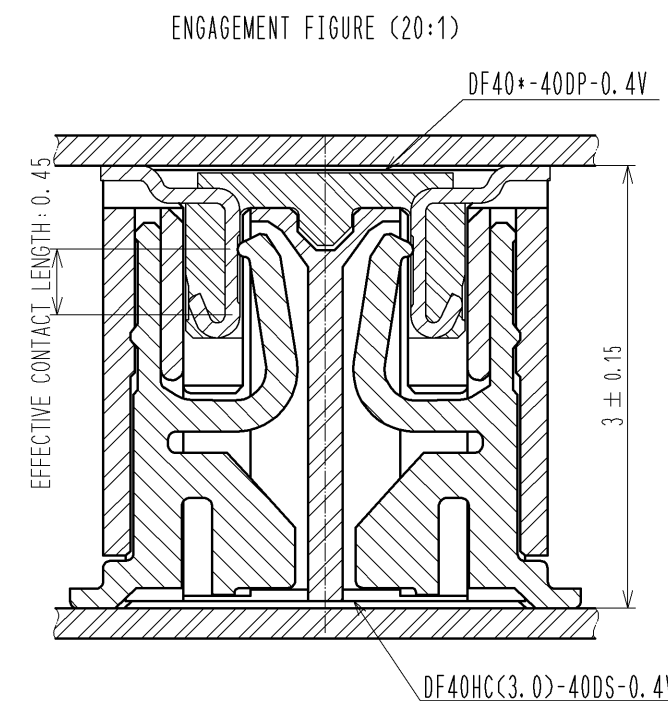
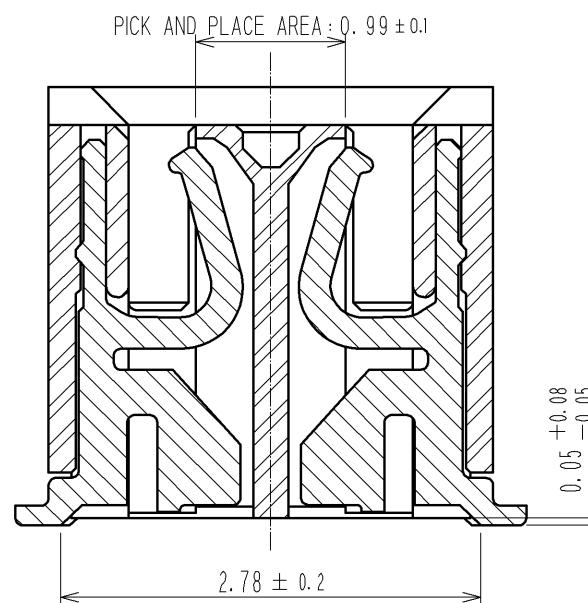
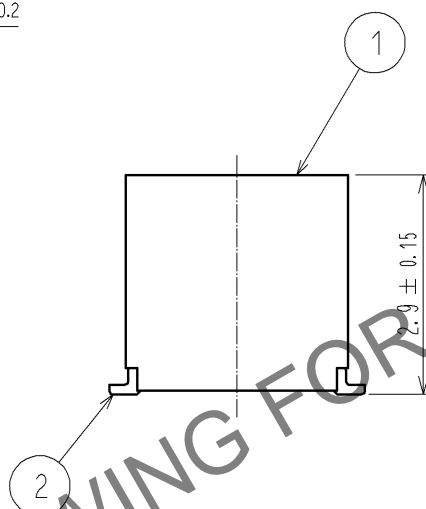
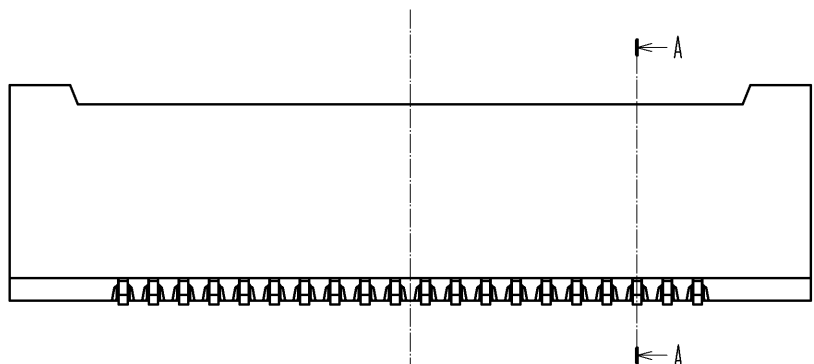
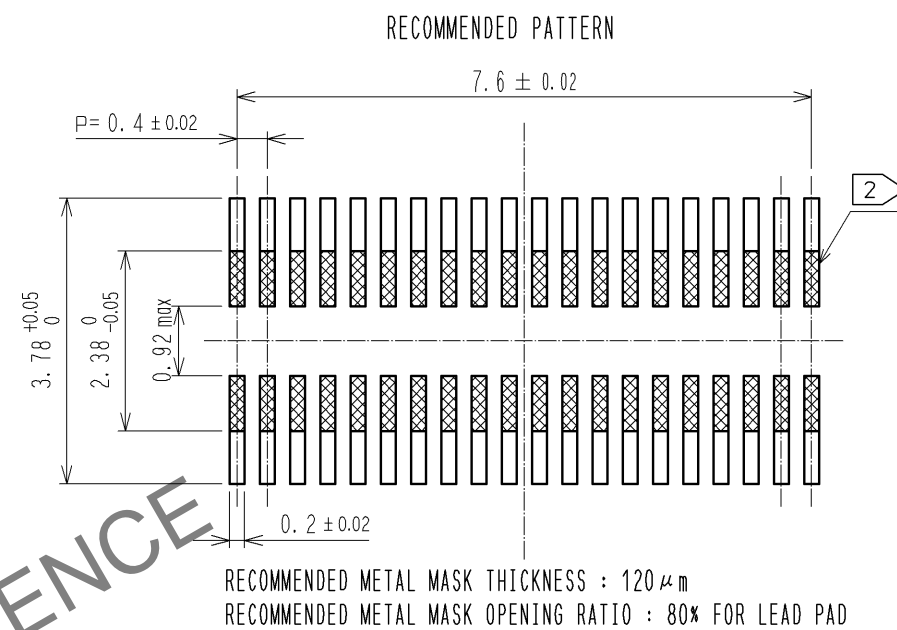
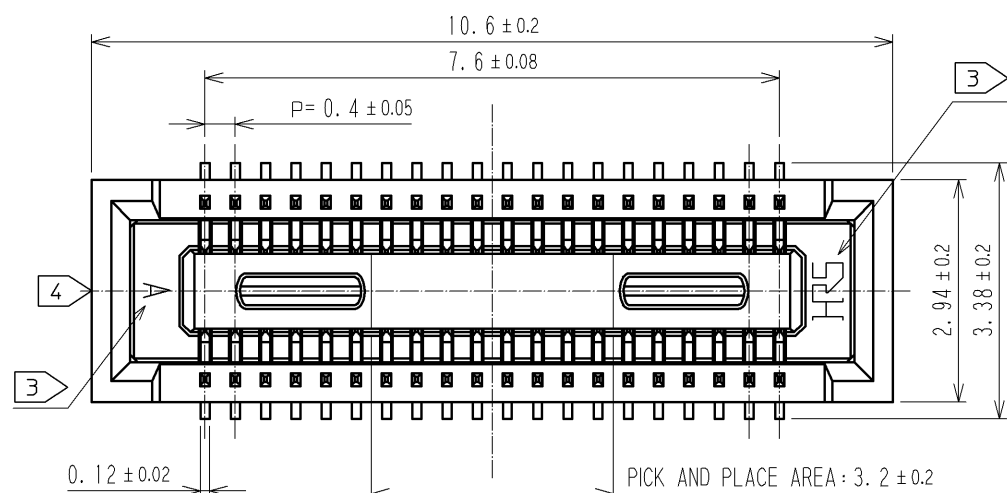


Apr.1.2024 Copyright 2024 HIROSE ELECTRIC CO., LTD. All Rights Reserved.  
In case of consideration for using Automotive equipment / device which demand high reliability, kindly contact our sales window correspondents.

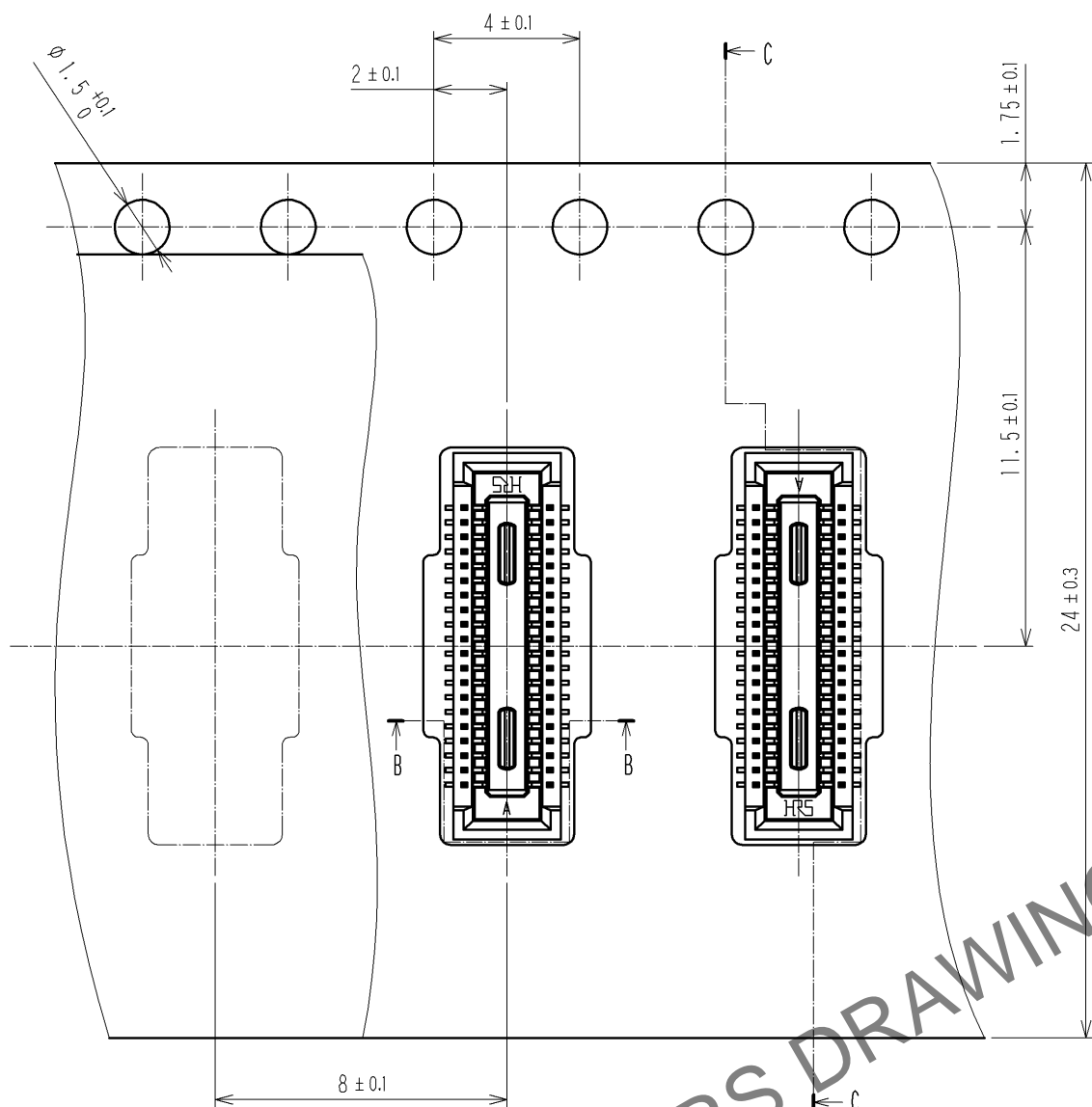


NOTE 1. ALL LEADS CO-PLANARITY SHALL BE 0.1 MAX.  
 2 IS NO PATTERN AREA OTHER THAN THE SAME CIRCUIT.  
 3 HRS MARK AND CAV NO. IS INDICATED IN APPROXI POSITION SHOWN.  
 4 GATE POSITION IS POSITIONED IN APPROXIMAL AREA SHOWN.

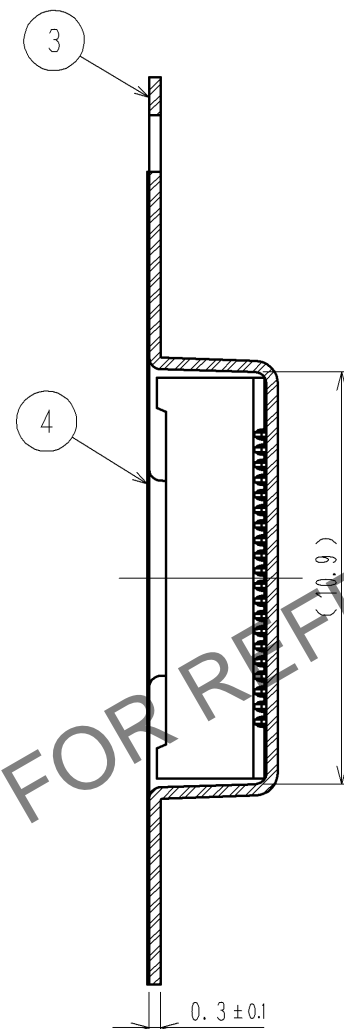
2	PHOSPHOR BRONZE	CONTACT AREA: GOLD 0.05 μm MIN	5	PS	BLACK			
		SMT LEAD: GOLD 0.05 μm MIN						
		UNDERPLATING: NICKEL 1 μm MIN						
1	LCP	BLACK, UL94V-0	3	PS	CLEAR, EMBOSSED CARRIER TAPE			
NO.	MATERIAL	FINISH . REMARKS	NO.	MATERIAL	FINISH . REMARKS			
UNITS	mm	SCALE	10 : 1	COUNT	DESCRIPTION OF REVISIONS	DESIGNED	CHECKED	DATE
		APPROVED : KH. IKEDA 11.08.31 CHECKED : TS. MIYAZAKI 11.08.31 DESIGNED : TR. YUNOKI 11.08.31 DRAWN : TR. YUNOKI 11.08.31		DRAWING NO. EDC3-340389-01 PART NO. DF40HC(3.0)-40DS-0.4V(51) CODE NO. CL684-4169-6-51		1/2		

Apr.1.2024 Copyright 2024 HIROSE ELECTRIC CO., LTD. All Rights Reserved.  
 In case of consideration for using Automotive equipment / device which demand high reliability, kindly contact our sales window correspondents.

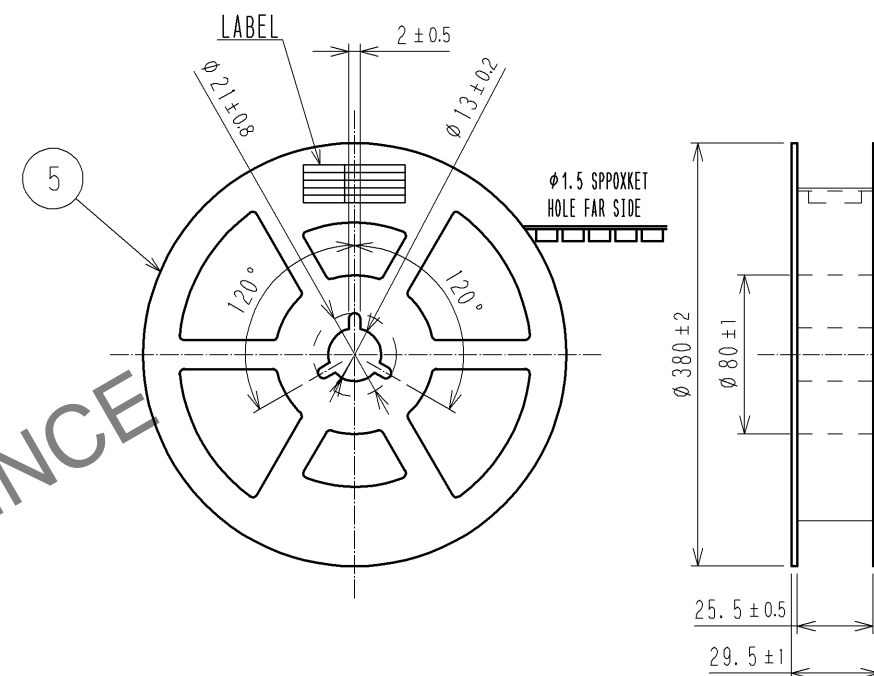
SCALE (5:1)



C-C(5:1)



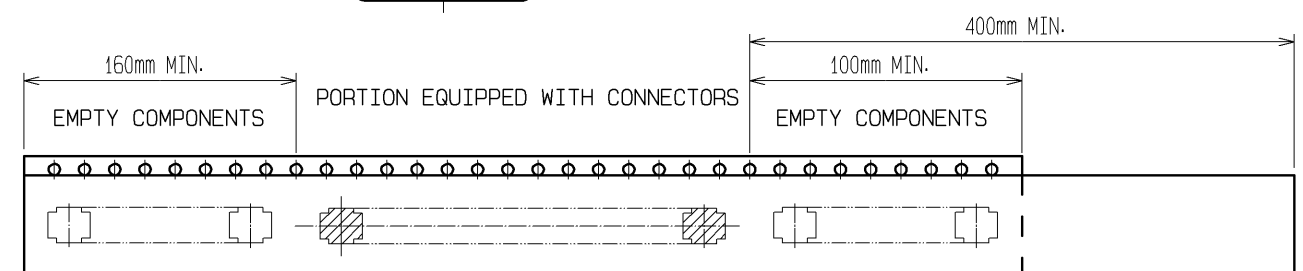
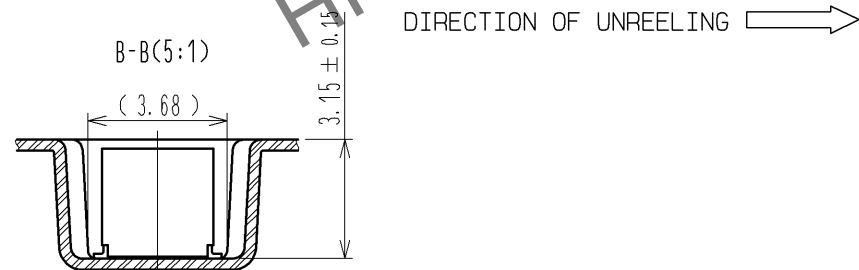
STYLE AND DIMENSION OF REEL (FREE SIZE)



8 > DETAIL OF PART NO. LABEL

製造年月日	** * *
製品コード	CL684-4169-6-51
製品名	DF40HC(3.0)-40DS-0.4V(51)
数量	3000
納入者	ヒロセ電機(株)

HRS DRAWING FOR REFERENCE



- NOTES)
- PER REEL 3000 CONNECTORS.
  - THE DIMENSIONS IN PARENTHESES ARE FOR REFERENCE.
  - REFER TO JIS C 0806(PACKING OF COMPONENTS FOR AUTOMATIC HANDLING)
  - DETAIL OF PART NO. LABEL IS WRITTEN IN JAPANESE.
- PRODUCTION DATE:  
 PRODUCT CODE: CL684-4169-6-51  
 PART NUMBER: DF40HC(3.0)-40DS-0.4V(51)  
 NUMBER OF PIECES: 3000 PIECES  
 SUPPLIER NAME: HIROSE ELECTRIC CO., LTD.

TRAILER

7 > TAPING

LEADER

<b>HRS</b>	DRAWING NO.	EDC3-340389-01
	PART NO.	DF40HC(3.0)-40DS-0.4V(51)
	CODE NO.	CL684-4169-6-51