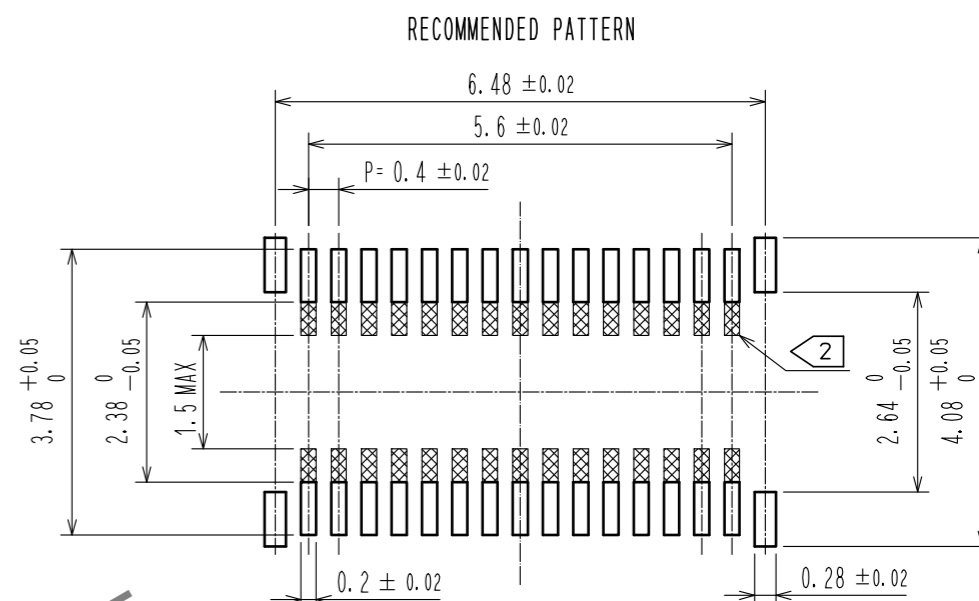
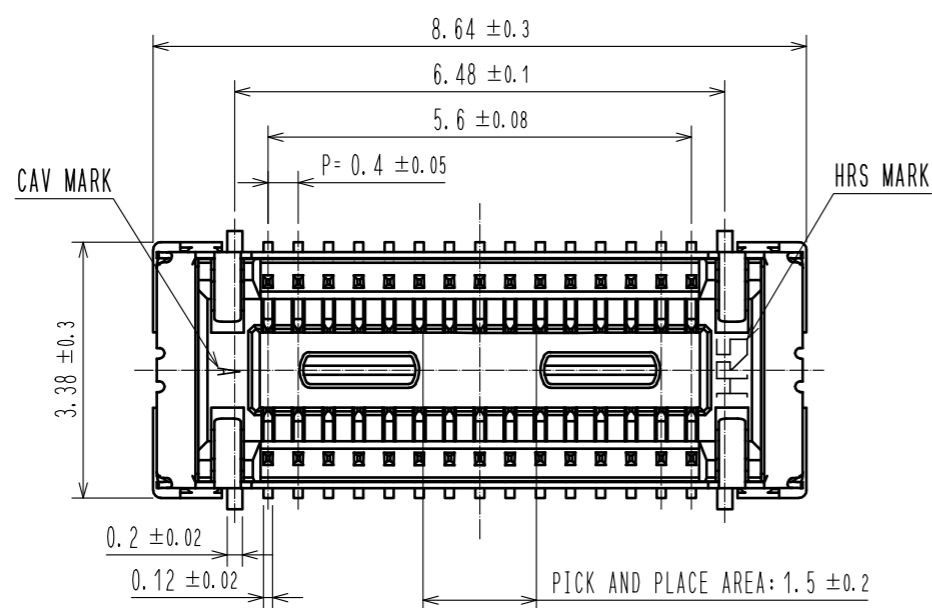
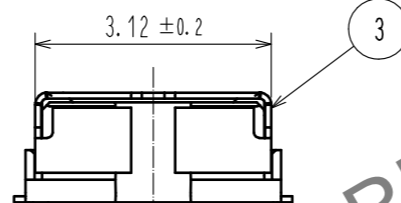
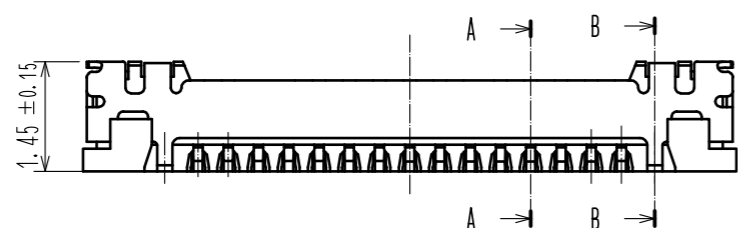


May.1.2024 Copyright 2024 HIROSE ELECTRIC CO., LTD. All Rights Reserved.
In case of consideration for using Automotive equipment / device which demand high reliability, kindly contact our sales window correspondents.

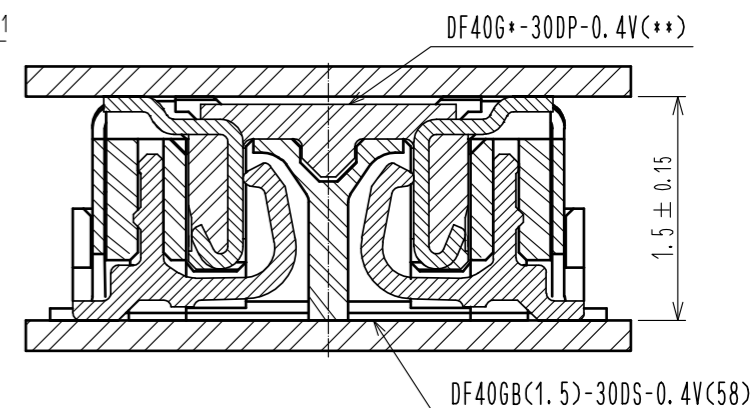
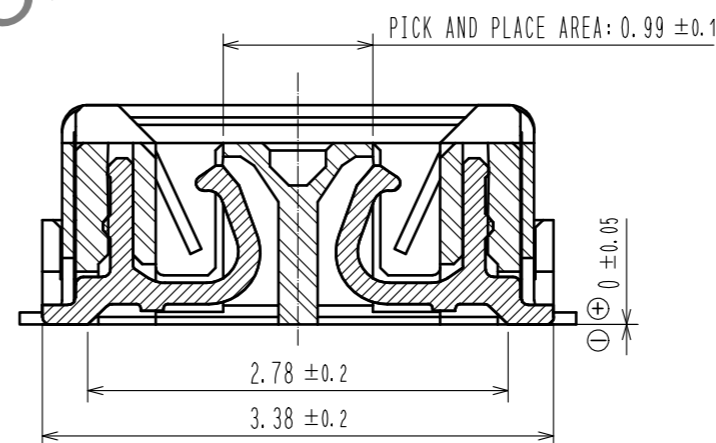


RECOMMENDED METAL MASK THICKNESS: 120 μm
RECOMMENDED MASK OPENING RATIO: 80% FOR LEAD PAD

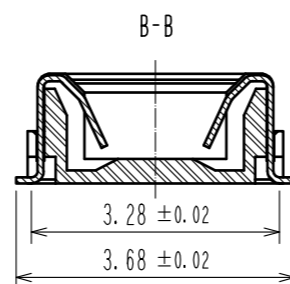


A-A
(20:1)

ENGAGEMENT FIGURE(20:1)



NOTES 1. ALL LEADS METAL FITTINGS CO-PLANARITY SHALL BE 0.1mm MAX.
2. IS NON-CONDUCTIVE AREA.

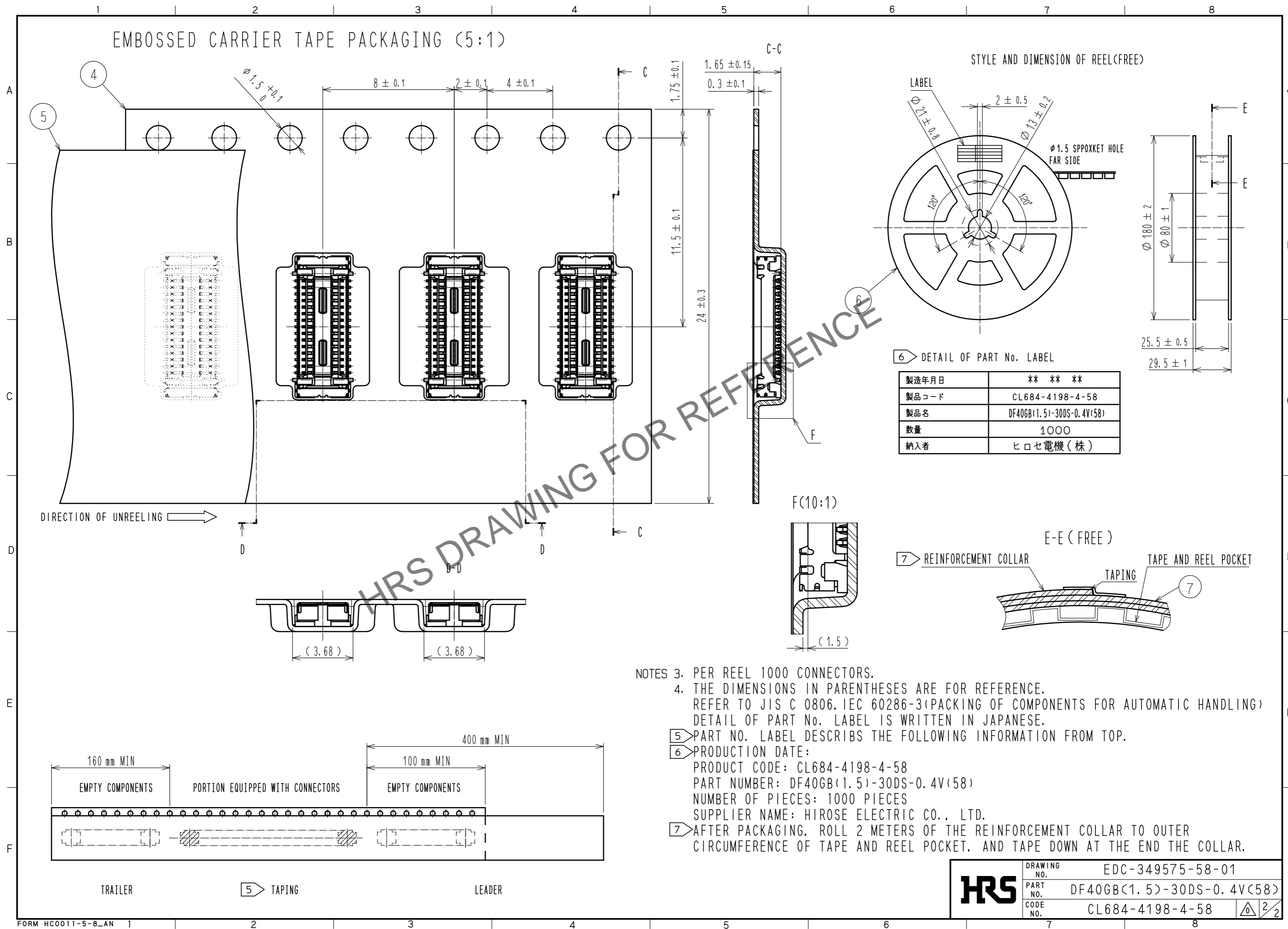


B-B

2	PHOSPHOR BRONZE	CONTACT AREA: Au 0.05 μm MIN SMT LEAD: Au 0.05 μm MIN UNDERPLATING: NICKEL 1 μm MIN	7	PS	CLEAR(REINFORCEMENT COLLAR)		
1	LCP	BLACK, UL94V-0	6	PS	BLACK(PLASTIC REEL)		
			5	POLYESTER	CLEAR(COVER TAPE)		
			4	PS	CLEAR(EMBOSSED CARRIER TAPE)		
			3	PHOSPHOR BRONZE	CONTACT AREA: Au 0.05 μm MIN SMT LEAD: Au 0.05 μm MIN UNDERPLATING: NICKEL 1 μm MIN		
NO.	MATERIAL	FINISH . REMARKS	NO.	MATERIAL	FINISH . REMARKS		
UNITS mm		SCALE 10 : 1	COUNT	DESCRIPTION OF REVISIONS	DESIGNED	CHECKED	DATE
HRS HIROSE ELECTRIC CO., LTD.		APPROVED : MO. ISHIDA	15.07.01	DRAWING NO. EDC-349575-58-01			
		CHECED : TS. MIYAZAKI	15.07.01	PART NO. DF40GB(1.5)-30DS-0.4V(58)			
		DESIGNED : SH. HOSODA	15.07.01	CODE NO. CL684-4198-4-58			
		DRAWN : KR. AJITO	15.07.01				

May.1.2024 Copyright 2024 HIROSE ELECTRIC CO., LTD. All Rights Reserved.
In case of consideration for using Automotive equipment / device which demand high reliability, kindly contact our sales window correspondents.

EMBOSSED CARRIER TAPE PACKAGING (5:1)



HRS	DRAWING NO.	EDC-349575-58-01
	PART NO.	DF40GB(1.5)-30DS-0.4V(58)
	CODE NO.	CL684-4198-4-58
		△ 2/2